



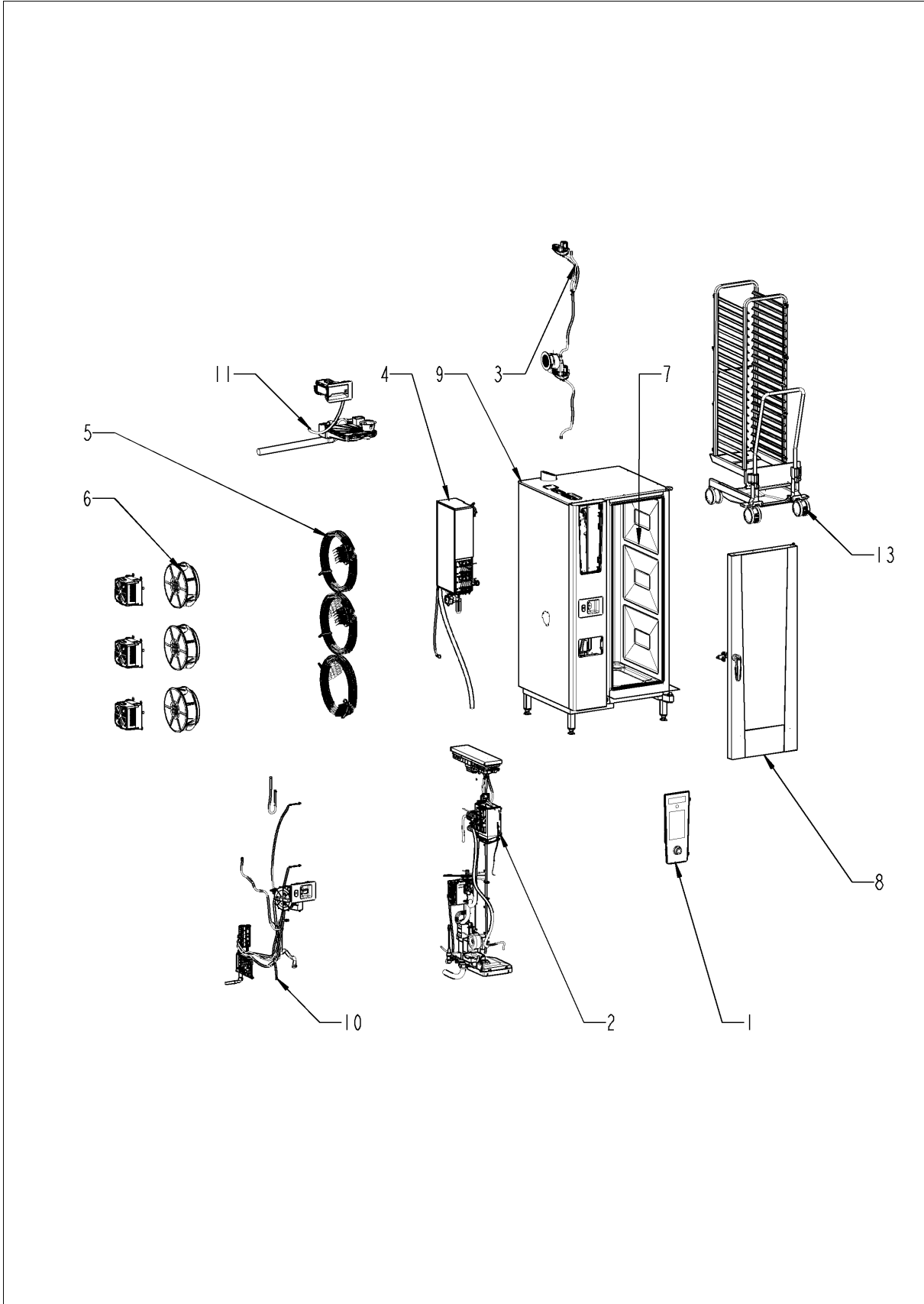
# Service part catalogue

iCombi® ab 03/2020 201 - 20 x 1/1 Gastronorm

E21SJ2007



# Overview

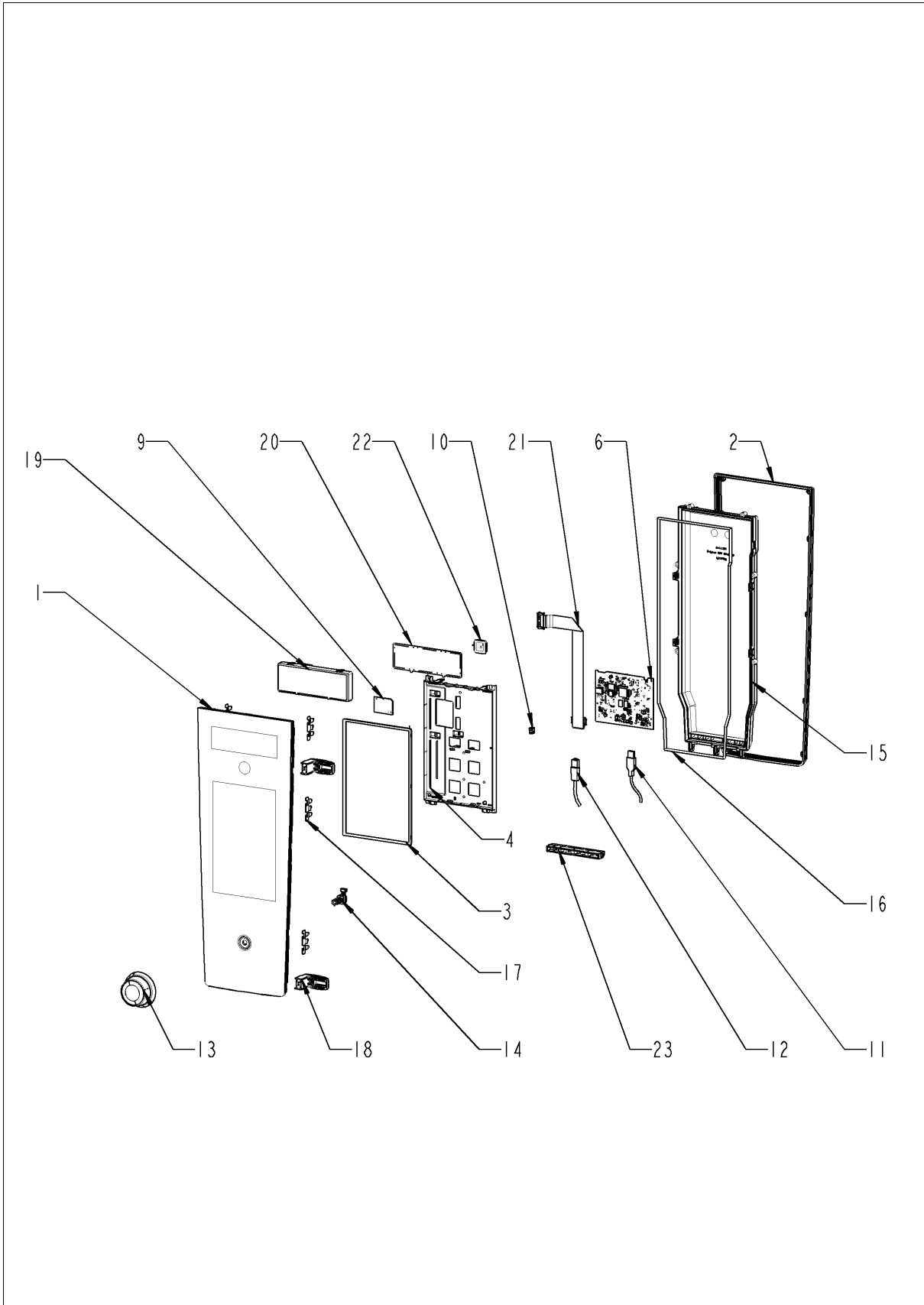


---

## Overview

| <b>Pos.</b> | <b>Assembly</b>               | <b>Page</b> |
|-------------|-------------------------------|-------------|
| 1           | Control panel .....           | 4           |
| 2           | Electrical installation ..... | 6           |
| 3           | ClimaPlus .....               | 12          |
| 4           | Steam generator .....         | 14          |
| 5           | Hot air heating .....         | 16          |
| 6           | Motor and fan wheel .....     | 18          |
| 7           | Interior cabinet .....        | 20          |
| 8           | Door .....                    | 22          |
| 9           | Exterior cabinet .....        | 28          |
| 10          | Water .....                   | 32          |
| 11          | CleanJet + Care .....         | 34          |
| 13          | Standard accessory .....      | 36          |

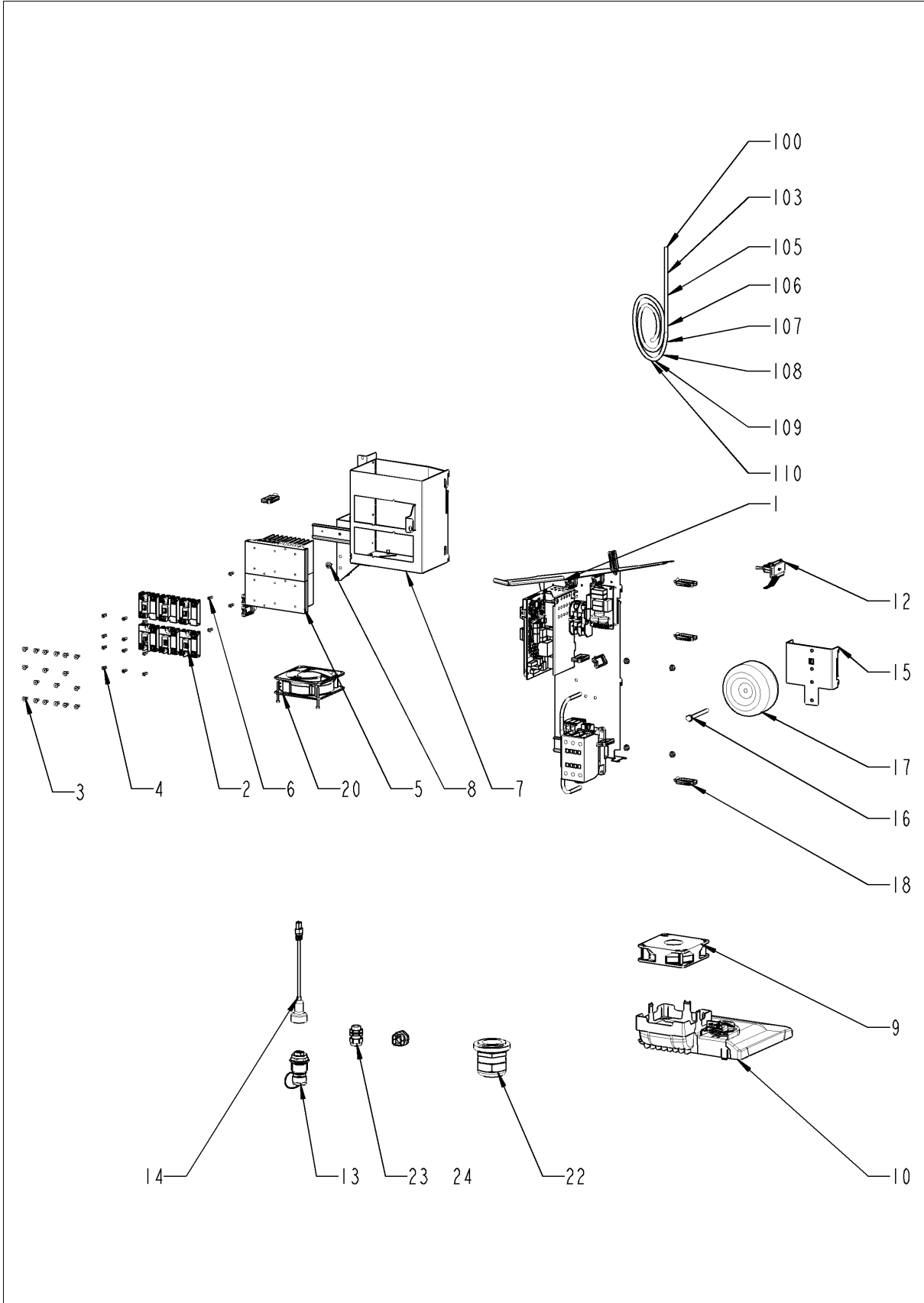
# Control panel



## Control panel

| Pos. | Part no.   | Description                           | Qty. |
|------|------------|---------------------------------------|------|
| 1    | 87.01.535S | Control panel insert *RAT*            | 1    |
| 2    | 16.03.342P | Sealing f. panel insert               | 1    |
| 3    | 42.00.287P | Operator pcb *TFT*                    | 1    |
| 4    | 16.03.747P | Fixing display / pcb                  | 1    |
| 6    | 42.00.251P | Control pcb (w/o SD-Card)             | 1    |
| 8    | 42.00.359P | Micro SD card                         | 1    |
| 9    | 42.00.346P | Sensor on / off                       | 1    |
| 10   | 40.06.760P | Cable control pcb - capacitive switch | 1    |
| 11   | 40.06.044P | USB socket with cable                 | 1    |
| 12   | 40.06.410P | Interface cable LAN 2m                | 1    |
| 13   | 16.03.756P | Dial f. pulse generator               | 1    |
| 14   | 40.06.037P | Pulse generator                       | 1    |
| 15   | 16.03.735P | Cover f. control pcb w. gasket        | 1    |
| 17   | 16.03.748P | Metal cramp f. panel insert           | 6    |
| 18   | 16.03.749P | Hook for parking position             | 2    |
| 21   | 40.06.569P | Cable CPU - TFT                       | 1    |
| 23   | 16.04.062P | Sealing block                         | 1    |
| 23   | 16.03.701P | Sealing block LAN                     | 1    |

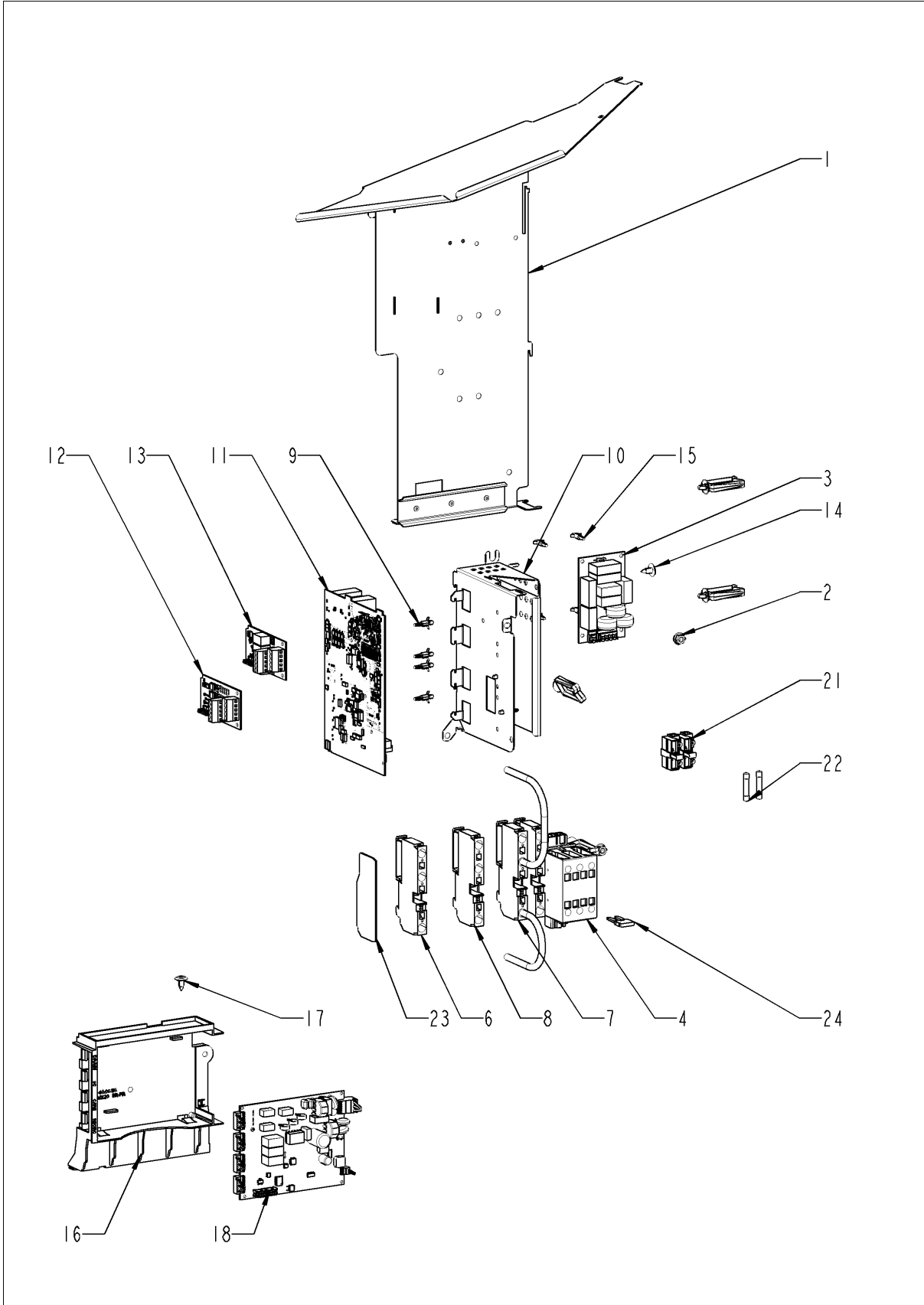
# Electrical installation



## Electrical installation

| Pos. | Part no.   | Description                               | Qty. |
|------|------------|---|------|
| 1    |            | Electrical installation                   | 1    |
| 2    | 40.00.453P | Solid state relais                        | 4    |
| 3    | 10.01.266P | Pan head screw Torx T20 10,5mm            | 5    |
| 4    | 10.01.776P | Pan head screw Torx T20 M4x12             | 8    |
| 5    | 40.03.931P | Heat sink small 2 SSR                     | 2    |
| 6    | 10.01.776P | Pan head screw Torx T20 M4x12             | 4    |
| 7    | 40.06.386P | Mounting device heat sink SSR             | 1    |
| 8    | 10.00.989P | Rivet with screw                          | 1    |
| 9    | 40.06.355P | Cooling fan                               | 1    |
| 10   | 87.01.619S | Air shaft cpl.                            | 1    |
| 12   | 87.01.741S | Interface USB                             | 1    |
| 13   | 40.05.509P | Interface LAN IPX6                        | 1    |
| 14   | 40.06.410P | Interface cable LAN 2m                    | 1    |
| 15   | 40.06.042S | Mounting support power transformer        | 1    |
| 16   | 10.01.208P | Hex screw M8x80 A2                        | 1    |
| 18   | 40.06.878P | Cable holder                              | 12   |
| 20   | 40.05.994P | Cooling fan 11938MB                       | 1    |
| 22   | 40.05.484P |   | 1    |
| 23   | 40.00.320P | Cable connection M20x1.5                  | 1    |
| 24   | 40.04.495P | Cable connection M25 ø5mm *divisible*     | 1    |
| 100  | 40.06.060P | Cable control harness                     | 1    |
| 103  | 40.06.166P | Cable contactor-SSR                       | 1    |
| 105  | 40.06.242P | Cable, circulation pump                   | 1    |
| 106  | 40.06.245P | Cable, sewage pump                        | 1    |
| 107  | 40.06.248P | Cable SC pump                             | 1    |
| 108  | 40.06.251P | Cable, Care pump                          | 1    |
| 109  | 40.06.718P | Cable, interior light W57 *door lighting* | 1    |
| 114  | 40.07.148P | Bus cable 1.73m                           | 1    |
| 115  | 40.05.858P | Bus cable 1.08m                           | 1    |
| 116  | 40.07.147P | Bus cable 1.96m                           | 1    |
| 117  | 40.05.858P | Bus cable 1.08m                           | 1    |
| 118  | 40.05.858P | Bus cable 1.08m                           | 1    |

## Electrical installation

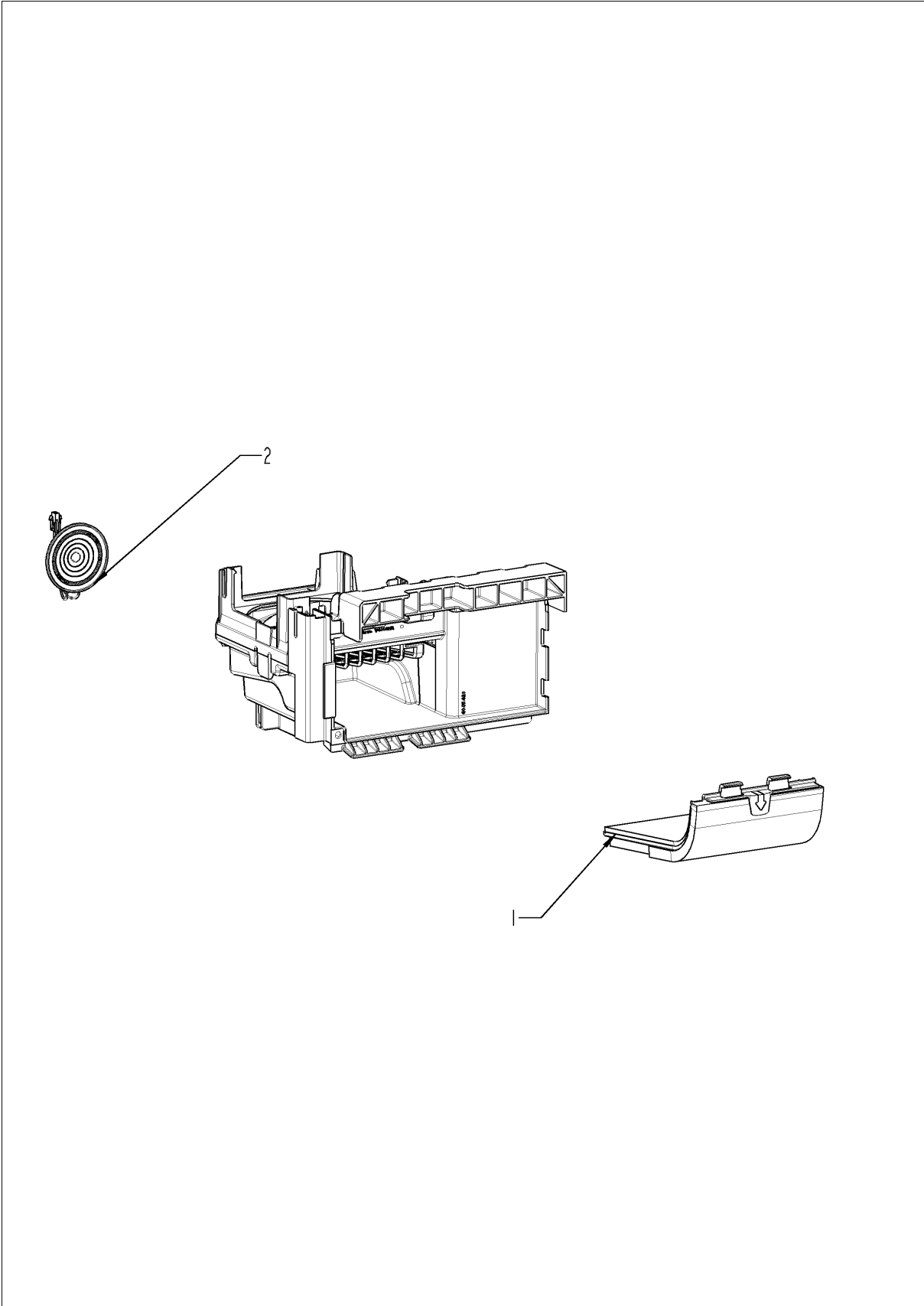




## Electrical installation

| Pos. | Part no.   | Description                         | Qty. |
|------|------------|-------------------------------------|------|
| 1    | 40.06.638P | Electrical mounting plate           | 1    |
| 2    | 10.00.709P | Hex nut M6 w. locking               | 1    |
| 3    | 42.00.336P | Electronic noise filter             | 1    |
| 4    | 40.06.455P | Contacteur K3-40B00 190R T AZ       | 1    |
| 6    | 40.06.626P | Earth terminal WKFN 16 D1/2/SL/35   | 2    |
| 7    | 40.06.627P | Terminal block blue WKFN 16 Duo     | 1    |
| 8    | 40.04.642P | Terminal block grey WKFN 10 D1/2/35 | 3    |
| 9    | 40.03.756P | Fixing clip f. pcb                  | 1    |
| 11   | 40.05.919P | IO-module                           | 1    |
| 14   | 10.00.989P | Rivet with screw                    | 1    |
| 15   | 40.03.756P | Fixing clip f. pcb                  | 1    |
| 16   | 40.06.116S | Mounting support for pump pcb       | 1    |
| 17   | 10.00.989P | Rivet with screw                    | 1    |
| 18   | 42.00.273P | Pump pcb                            | 1    |
| 23   | 40.05.280P | End cover APFN 10 D1/2/35           | 1    |
| 24   | 40.05.283P | Insulated jumper bar IVB WKF 10-2   | 2    |
| 28   | 40.06.767P | Fuse 4A *Typ 5HT 4-R*               | 1    |

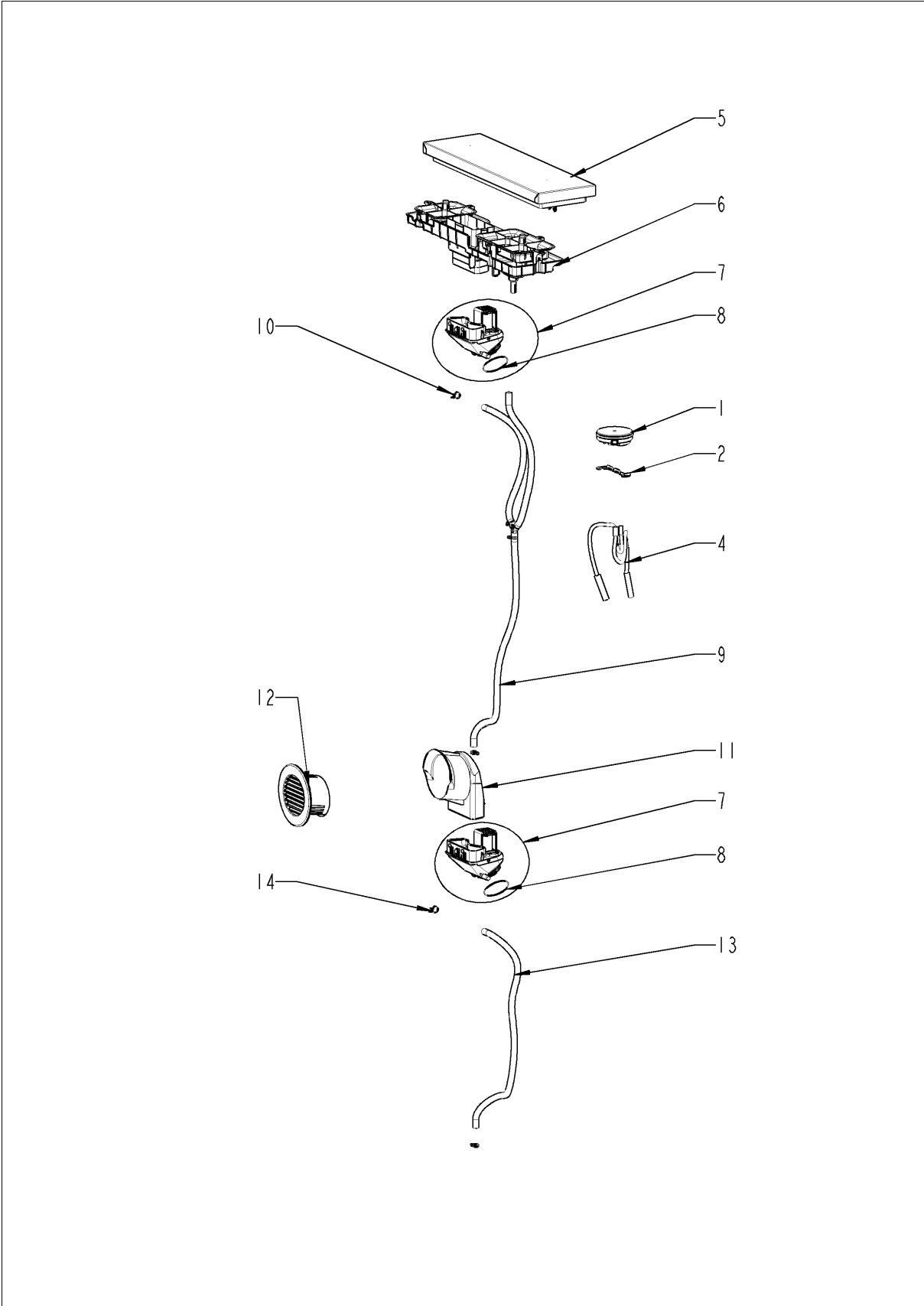
# Air shaft cpl.



## Air shaft cpl.

| Pos. | Part no.   | Description           | Qty. |
|------|------------|-----------------------|------|
| 1    | 40.05.654P | Air inlet filter cpl. | 1    |
| 2    | 40.06.728P | Loudspeaker K 64 WPTR | 1    |

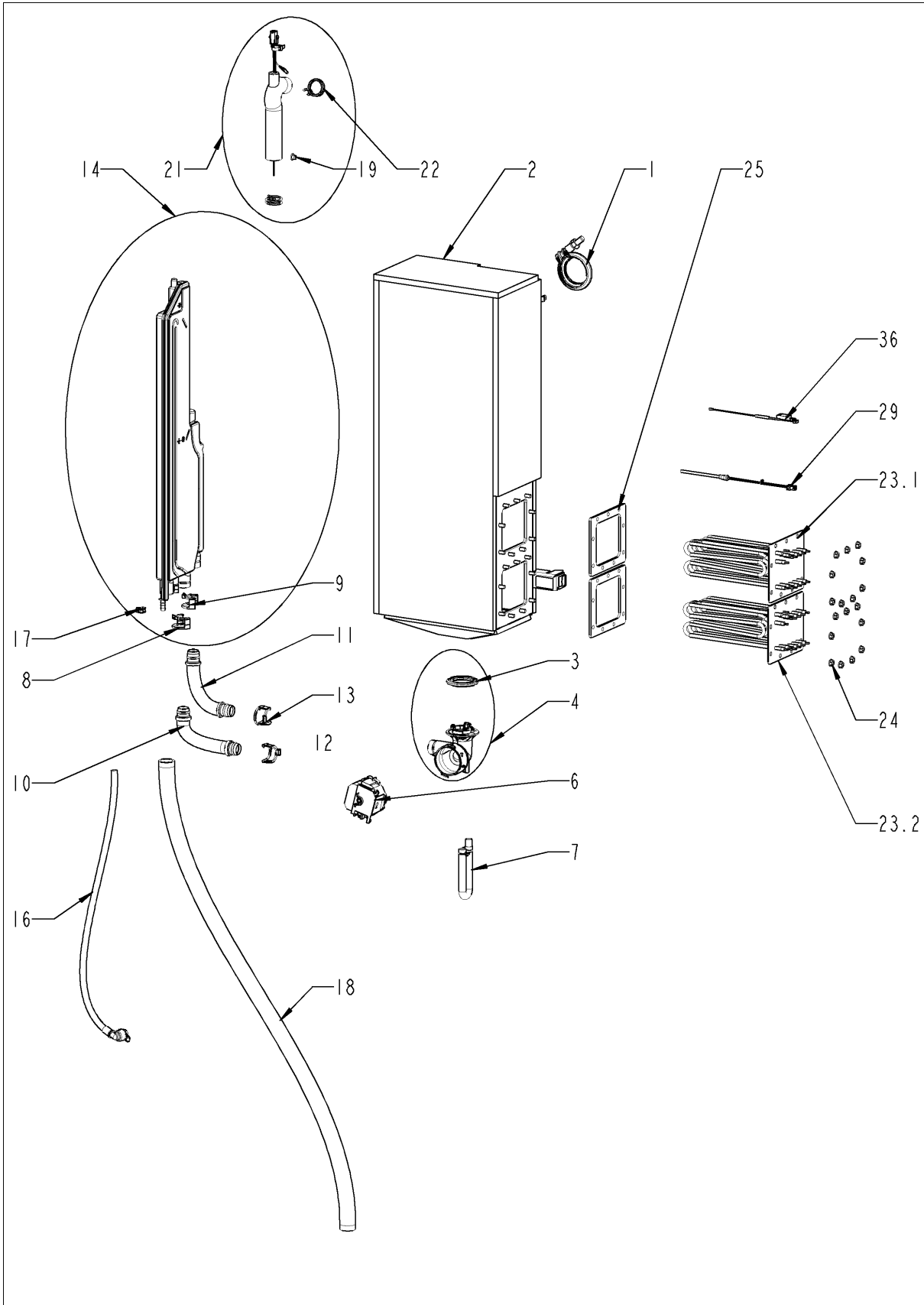
# ClimaPlus



## ClimaPlus

| Pos. | Part no.   | Description                          | Qty. |
|------|------------|--------------------------------------|------|
| 1    | 3017.1011P | Pressure sensor Huba 401             | 1    |
| 2    | 40.05.702P | Mounting device f. pressure sensor   | 1    |
| 4    | 22.00.525P | Hose set f. humidity control         | 1    |
| 5    | 40.06.214P | Vent cover                           | 1    |
| 6    | 40.06.570P | Ventilation at top                   | 1    |
| 7    | 22.01.402P | Humidity control cpl.                | 1    |
| 8    | 10.01.694P | O-ring for humidity control          | 4    |
| 9    | 22.01.468P | Drain hose for humidity control, top | 1    |
| 10   | 2066.0527P | Hose clamp ø14mm                     | 4    |
| 11   | 22.01.385P | Air inlet pipe                       | 1    |
| 12   | 22.01.456P | Vent cover, left                     | 1    |
| 13   | 22.01.402P | Humidity control cpl.                | 1    |
| 14   | 2066.0527P | Hose clamp ø14mm                     | 2    |
| 21   | 22.01.402P | Humidity control cpl.                | 1    |

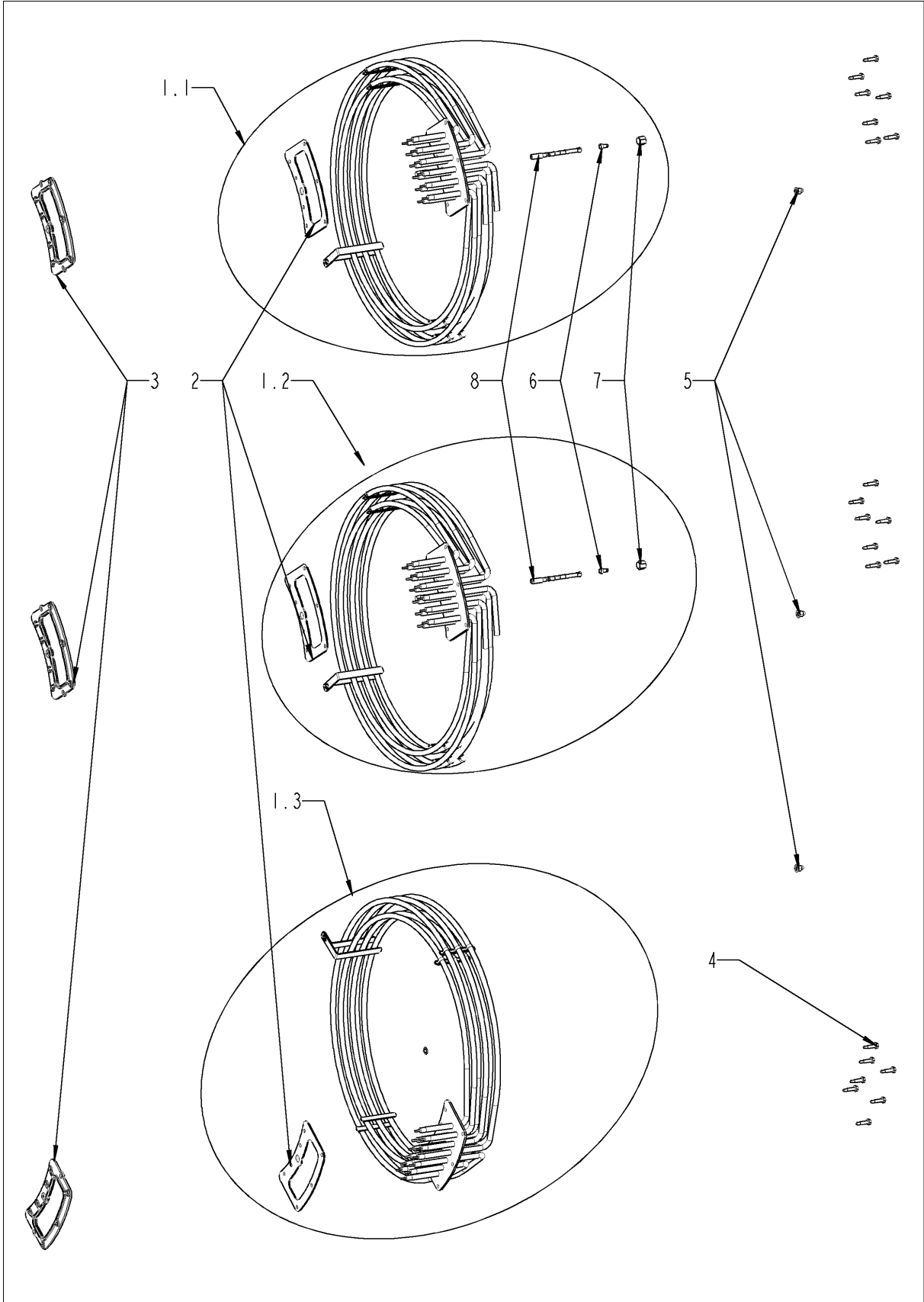
# Steam generator



## Steam generator

| Pos. | Part no.   | Description                                      | Qty. |
|------|------------|--|------|
| 1    | 72.00.492P | V Clamp 50mm right                               | 1    |
| 2    | 87.01.554S | Kit Steam generator insolated                    | 1    |
| 3    | 44.02.200P | Gasket SC pump                                   | 1    |
| 4    | 44.02.179S | Pump housing                                     | 1    |
| 6    | 56.01.024P | Emptying pump                                    | 1    |
| 7    | 44.02.287P | Emergency drainage hose                          | 1    |
| 8    | 10.01.707P | Locking ring 25mm                                | 1    |
| 9    | 10.01.707P | Locking ring 25mm                                | 1    |
| 10   | 44.02.225S | Supply hose safety armature                      | 1    |
| 11   | 44.02.217S | Drain hose steam generator                       | 1    |
| 12   | 10.01.707P | Locking ring 25mm                                | 1    |
| 13   | 10.01.707P | Locking ring 25mm                                | 1    |
| 14   | 87.01.548S | Safety device / water supply for steam generator | 1    |
| 16   | 50.02.277P | Hose, water supply, steam generator              | 1    |
| 17   | 2066.0205P | Hose clamp 8-16x9 mm SW 7mm                      | 1    |
| 18   | 44.02.232P | Drain hose steam generator                       | 1    |
| 19   | 44.01.505P | Grommet Ø12x8,2                                  | 1    |
| 21   | 44.02.495S | Molded hose with level electrode                 | 1    |
| 22   | 2066.0518P | Hose clamp 30mm                                  | 2    |
| 23.1 | 44.02.195S | Heating element with gasket                      | 1    |
| 23.2 | 44.02.255S | Heating element with gasket                      | 1    |
| 24   | 10.00.709P | Hex nut M6 w. locking                            | 1    |
| 25   | 44.02.503P | Gasket f. heating element                        | 1    |
| 29   | 40.06.133P | Temperature sensor eSTB 100mm                    | 1    |
| 36   | 40.06.720P | Thermocouple steam generator *B5*                | 1    |

# Hot air heating

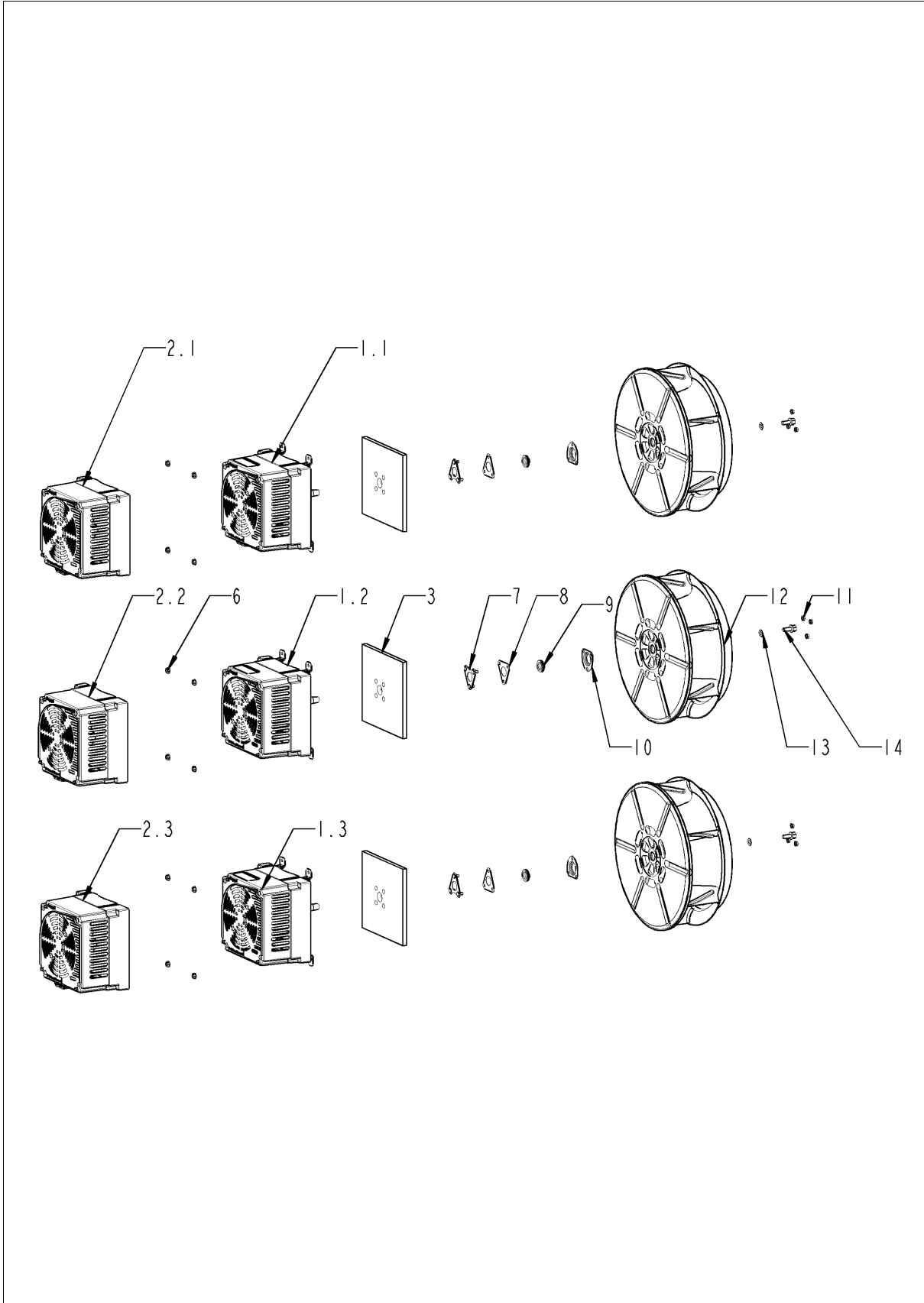




## Hot air heating

| Pos. | Part no.   | Description                       | Qty. |
|------|------------|-----------------------------------|------|
| 1.1  | 87.01.557S | Heating assembly with gasket      | 1    |
| 1.2  | 87.01.557S | Heating assembly with gasket      | 1    |
| 1.3  | 87.01.557S | Heating assembly with gasket      | 1    |
| 2    | 46.00.278P | Gasket f. heating assembly        | 3    |
| 3    | 46.00.279P | Mating flange f. heating assembly | 3    |
| 4    | 10.00.109P | Hex screw M5x23                   | 21   |
| 5    | 10.01.076P | Cap nut M5*A2                     | 3    |
| 6    | 50.02.004P | Nozzle f. moistening              | 1    |
| 7    | 50.02.005P | Union nut                         | 1    |
| 8    | 50.02.006P | Plastic pipe PEEK                 | 1    |

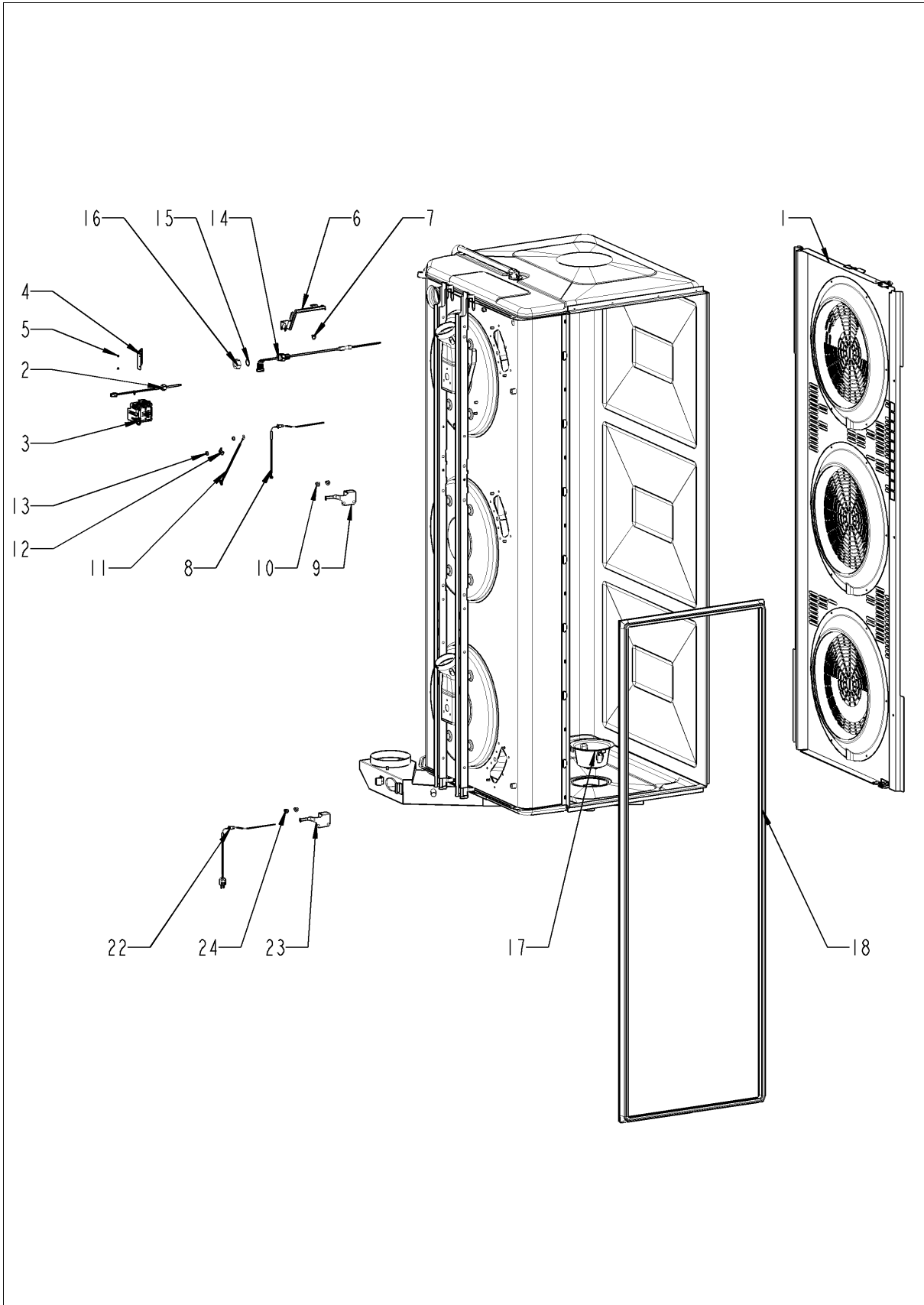
## Motor and fan wheel



## Motor and fan wheel

| Pos. | Part no.   | Description                            | Qty. |
|------|------------|--|------|
| 1.1  | 87.01.558S | Fan motor                              | 1    |
| 1.2  | 87.01.558S | Fan motor                              | 1    |
| 1.3  | 87.01.558S | Fan motor                              | 1    |
| 2.1  | 42.00.276P | Motor control for fan motor            | 1    |
| 2.2  | 42.00.276P | Motor control for fan motor            | 1    |
| 2.3  | 42.00.276P | Motor control for fan motor            | 1    |
| 3    | 20.02.807P | Isolation for mounting plate for motor | 3    |
| 6    | 10.00.709P | Hex nut M6 w. locking                  | 12   |
| 7    | 22.01.423P | Mounting support f. gasket flange      | 3    |
| 8    | 22.01.425P | Graphit seal for gasket flange         | 3    |
| 9    | 22.00.985P | Motor shaft gasket D15                 | 3    |
| 10   | 22.01.427P | Flange f. motor shaft gasket           | 3    |
| 11   | 10.01.076P | Cap nut M5*A2                          | 9    |
| 12   | 22.01.151S | Fan wheel                              | 3    |
| 13   | 1308.0162P | Washer A8,4                            | 3    |
| 14   | 10.00.936P | Hex screw M8x20                        | 3    |

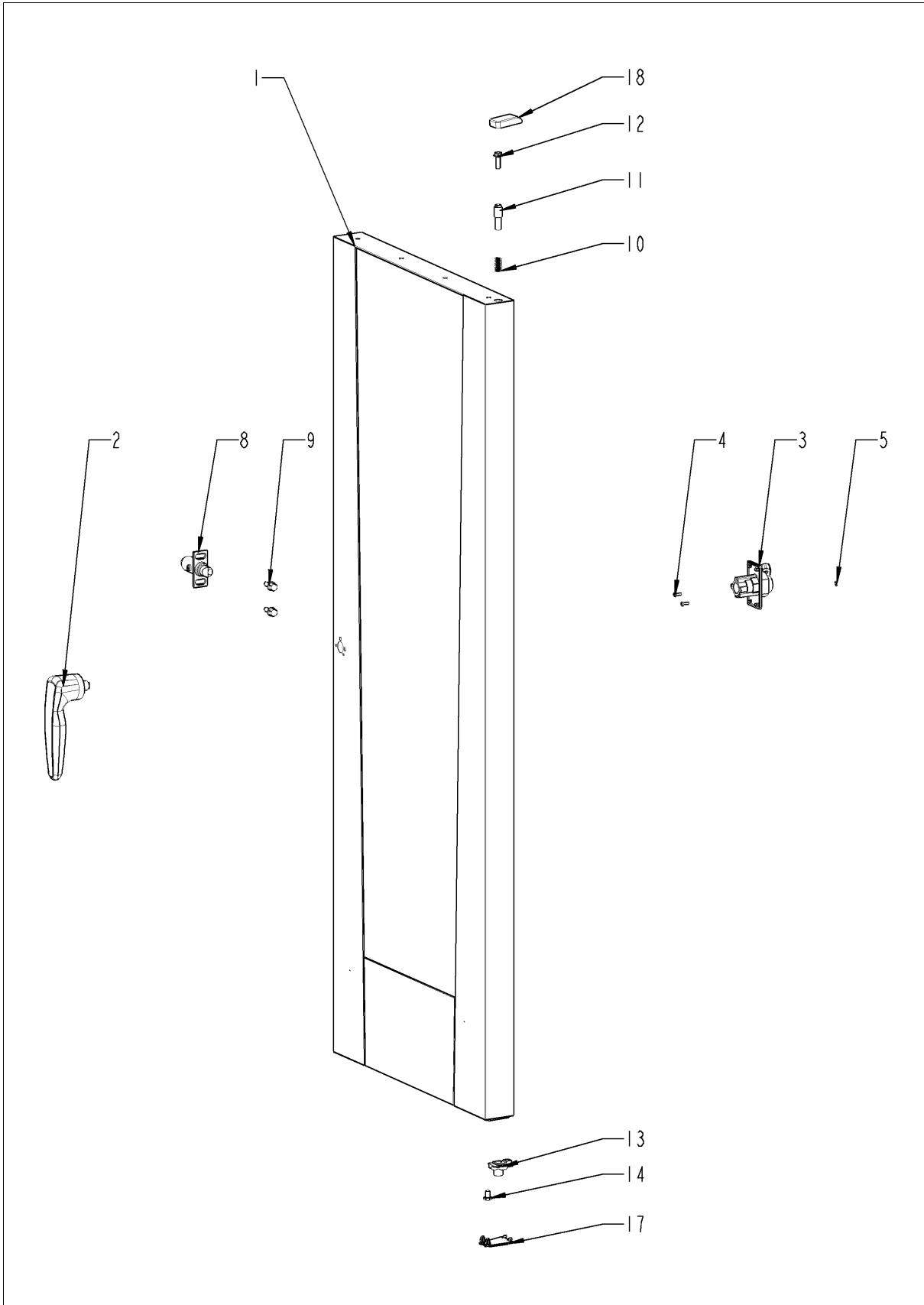
# Interior cabinet



## Interior cabinet

| Pos. | Part no.   | Description                                  | Qty. |
|------|------------|--|------|
| 1    | 22.01.346P | Air baffle                                   | 1    |
| 2    | 40.06.112P | Temperature sensor eSTB                      | 1    |
| 3    | 40.06.682P | Safety temperature limiter                   | 1    |
| 4    | 40.06.053P | Fixing device for safety temperature limiter | 1    |
| 5    | 10.00.515P | Rivet 3,2x6.8 A2/NSF                         | 2    |
| 6    | 40.06.098P | Screen for safety temperature limiter        | 1    |
| 7    | 10.01.076P | Cap nut M5*A2                                | 1    |
| 8    | 40.06.805P | Thermocouple interior cabinet B1             | 1    |
| 9    | 40.05.489P | Screen interior cabinet sensor               | 1    |
| 10   | 10.01.076P | Cap nut M5*A2                                | 2    |
| 11   | 40.06.792S | Thermocouple humidity *B4*                   | 1    |
| 12   | 10.00.087P | Clamp strap f. sensor                        | 1    |
| 13   | 10.01.065P | Hex nut M5                                   | 1    |
| 14   | 40.05.997P | Meat probe sensor                            | 1    |
| 15   | 1315.0104P | Copper washer 16x20x1,5                      | 1    |
| 16   | 10.01.751P | Hex nut M16 DIN934 A2                        | 1    |
| 17   | 56.01.491P | Outlet sieve                                 | 1    |
| 18   | 20.00.398P | Door gasket                                  | 1    |
| 22   | 40.06.730P | Thermocouple interior cabinet B9             | 1    |
| 23   | 40.05.489P | Screen interior cabinet sensor               | 1    |
| 24   | 10.01.076P | Cap nut M5*A2                                | 2    |

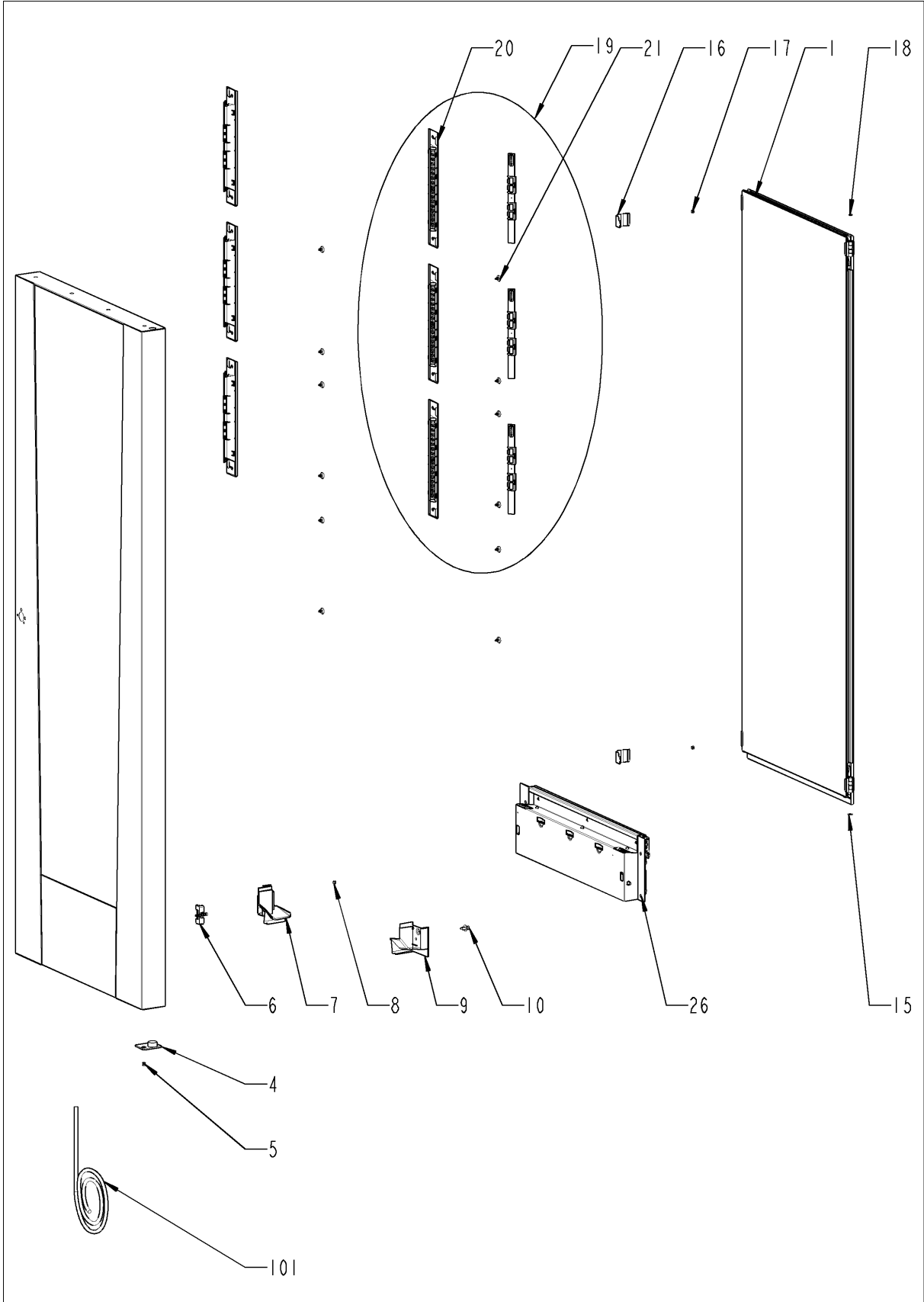
# Door



## Door

| Pos. | Part no.   | Description                          | Qty. |
|------|------------|--------------------------------------|------|
| 1    | 24.04.111S | Door                                 | 1    |
| 2    | 24.04.065P | Door handle RATIONAL                 | 1    |
| 3    | 24.04.244P | Door lock                            | 1    |
| 5    | 10.00.090P | Cap f. Torx T30                      | 1    |
| 8    | 24.01.351P | Door catch                           | 1    |
| 9    | 10.00.936P | Hex screw M8x20                      | 2    |
| 10   | 2001.0109P | Compression spring                   | 1    |
| 11   | 24.03.040P | Door bolt                            | 1    |
| 12   | 10.01.880P | Ornamental screw M8x25               | 1    |
| 13   | 24.04.245P | Door bolt                            | 1    |
| 14   | 10.00.099S | Hex screw M8x12                      | 1    |
| 17   | 12.02.605P | Cap for door mounting support bottom | 1    |
| 18   | 16.04.110P | Cover for door mounting support      | 1    |
| 21   | 24.05.002P | Stop spacer                          | 1    |

# Door

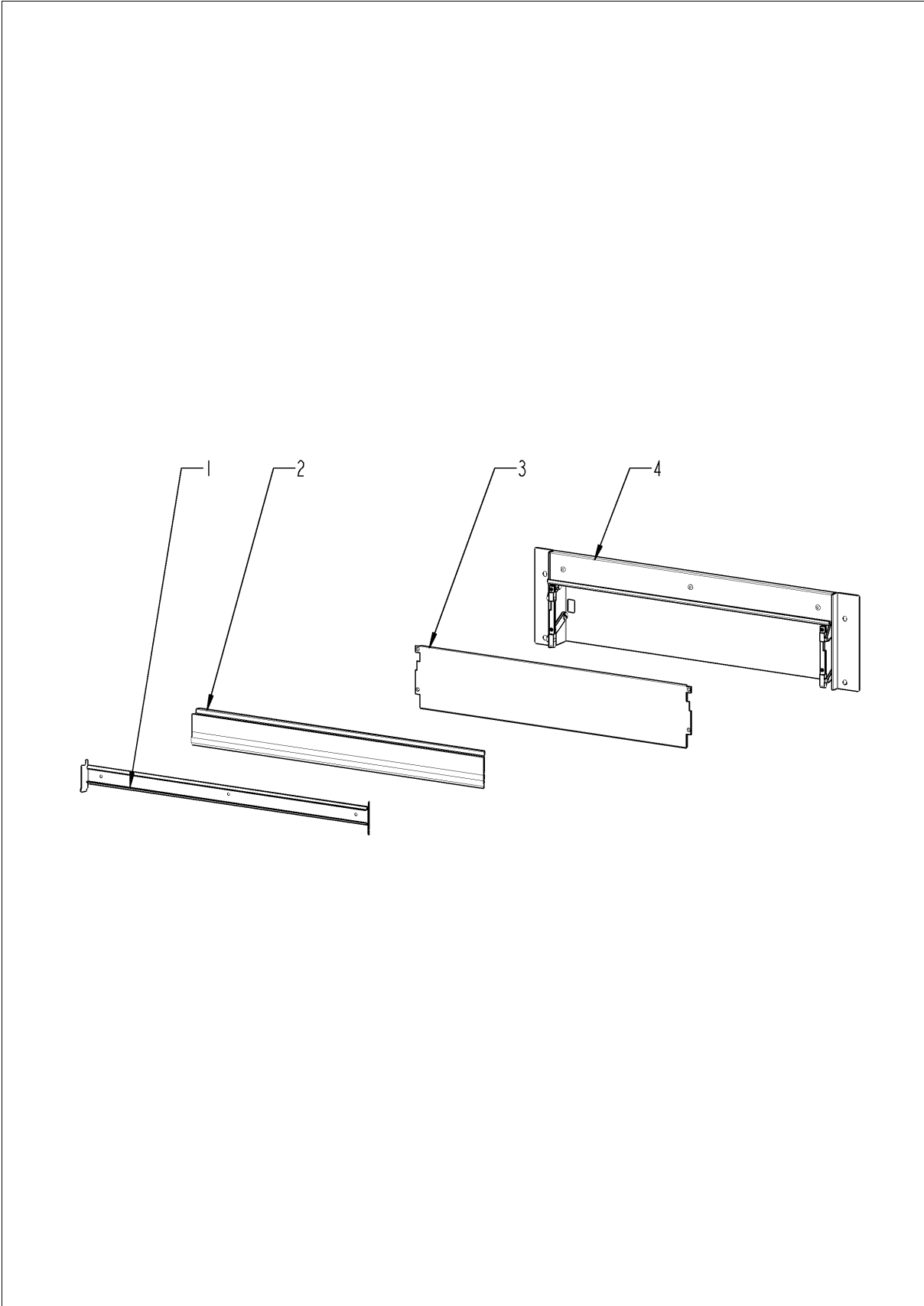




## Door

| Pos. | Part no.   | Description                                | Qty. |
|------|------------|--|------|
| 1    | 24.05.227S | Glass pane bundle                          | 1    |
| 4    | 24.04.219P | Door setting bolt                          | 1    |
| 5    | 10.00.904P | Rivet B4x8                                 | 2    |
| 6    | 24.04.619P | Fixing device f. magnet with magnet        | 1    |
| 7    | 24.04.213S | Bracket left f. door floor model           | 1    |
| 8    | 1604.0161P | Rivet 4x6 CNS                              | 1    |
| 9    | 24.04.212S | Bracket right f. door floor model          | 1    |
| 10   | 10.00.989P | Rivet with screw                           | 1    |
| 15   | 24.03.057P | Abrasion protection for glide socket       | 1    |
| 16   | 24.03.787S | Fixing bracket kit for interior glass pane | 2    |
| 17   | 1604.0161P | Rivet 4x6 CNS                              | 1    |
| 18   | 24.03.062P | Cover cap for door                         | 1    |
| 19   | 87.01.578S | LED bar                                    | 6    |
| 20   | 87.01.586S | LED optics                                 | 6    |
| 21   | 24.05.458P | Plastic spreader rivet                     | 12   |
| 26   | 24.04.231S | Pre heat mechanism f. door cpl.            | 1    |
| 101  | 87.01.595S | Cable, interior light W40 *door lighting*  | 1    |

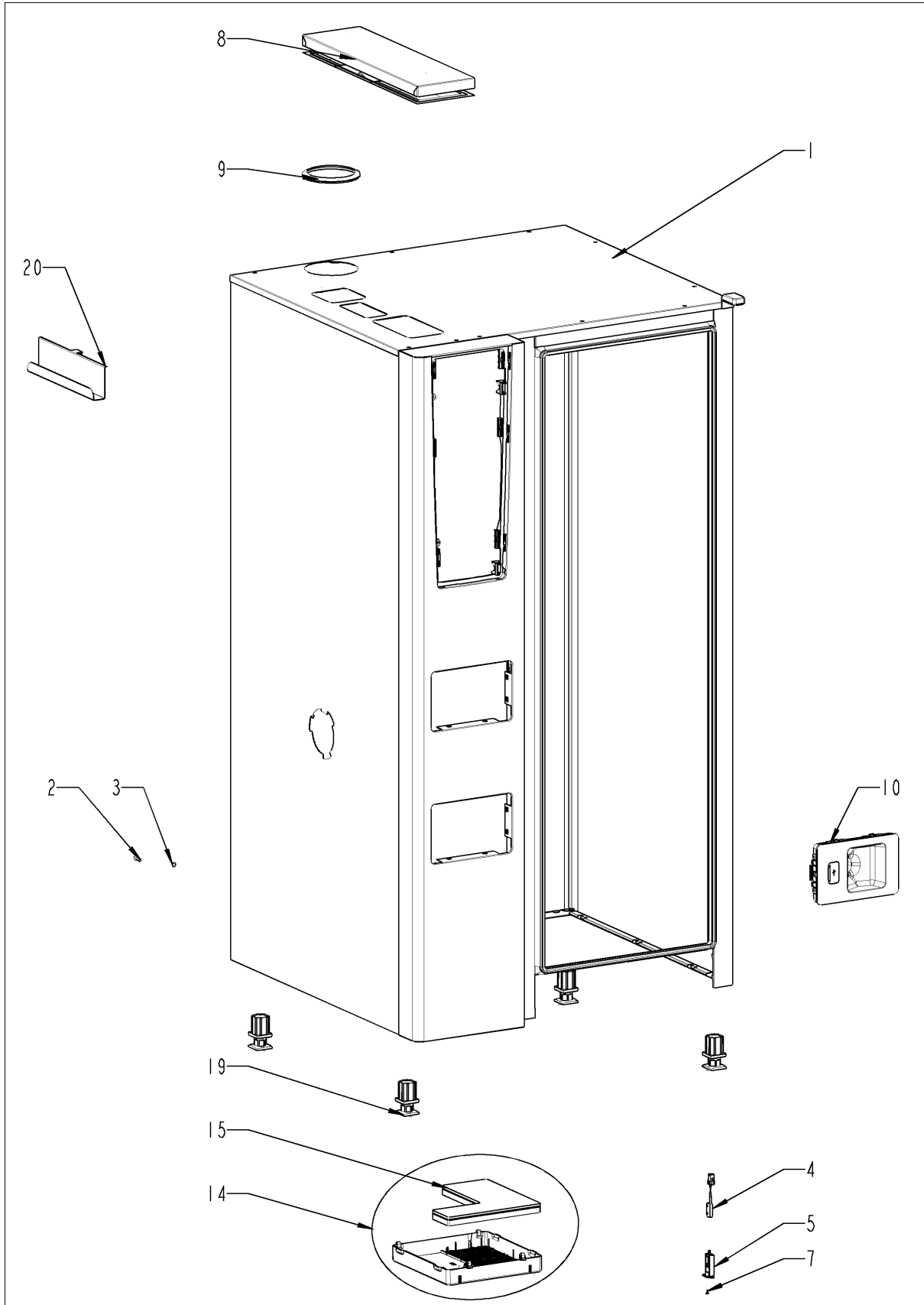
## Pre heat mechanism f. door



## Pre heat mechanism f. door

| Pos. | Part no.   | Description               | Qty. |
|------|------------|---------------------------|------|
| 1    | 24.04.468S | Gasket support            | 1    |
| 2    | 24.05.091P | Gasket glass pane/trolley | 1    |
| 3    | 24.04.676S | Pre heat sheet f. door    | 1    |
| 4    | 87.01.634S | Flap mechanism            | 1    |

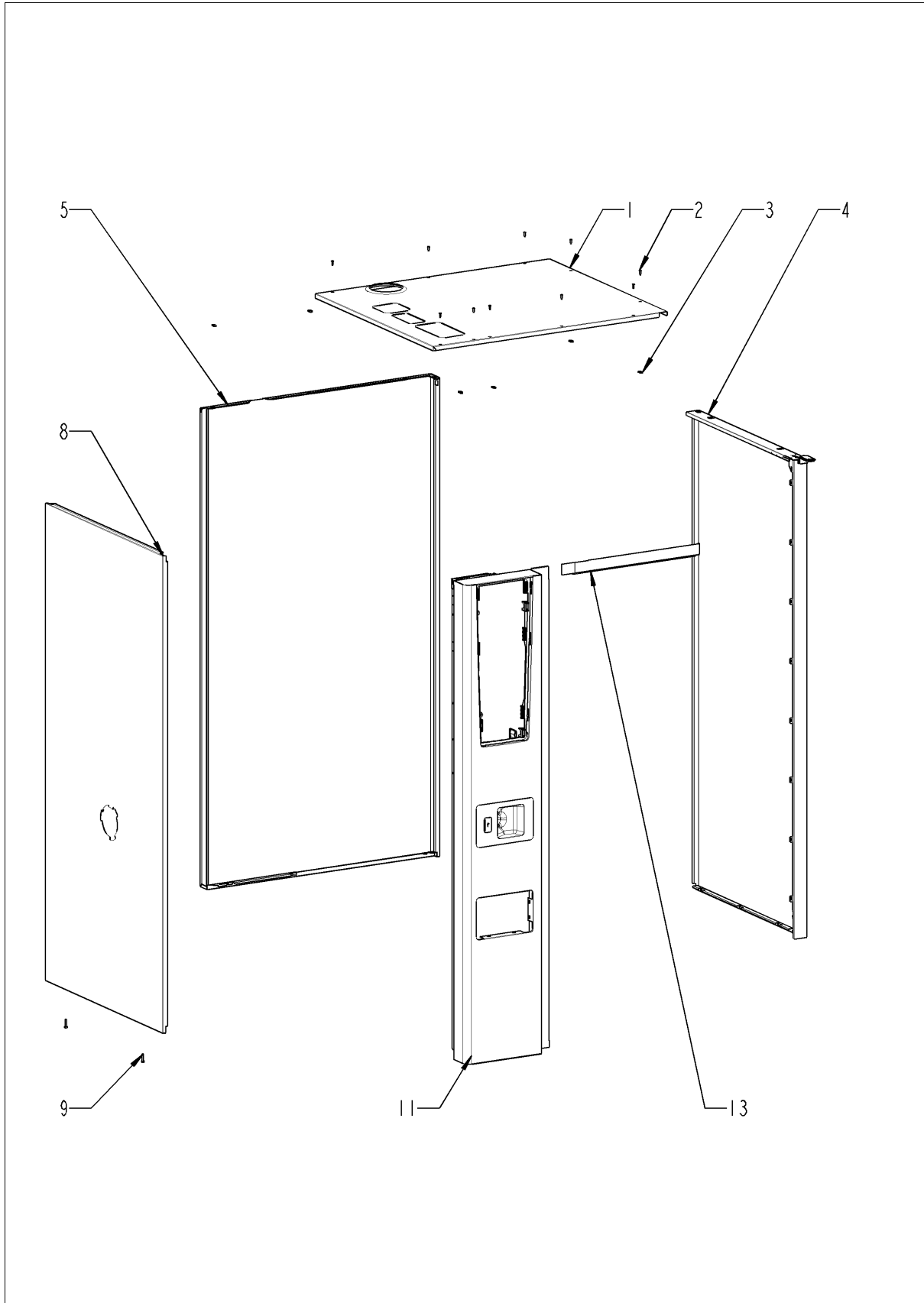
## Exterior cabinet



## Exterior cabinet

| Pos. | Part no.   | Description  | Qty. |
|------|------------|--|------|
| 1    |            | Exterior cabinet                                       | 1    |
| 2    | 10.01.755P | Countersunk screw M5x20 A2                             | 1    |
| 3    | 1206.0120P | Tooth lock washer A6,4                                 | 1    |
| 4    | 40.06.380P | Door switch  | 1    |
| 5    | 16.00.384S | Bracket for door contact switch                        | 1    |
| 7    | 10.00.103P | EJOT PT-screw KA 3.5x10                                | 1    |
| 8    | 40.06.214P | Vent cover   | 1    |
| 9    | 16.03.729P | Gasket f. breather tube d=117.3mm                      | 1    |
| 10   | 56.01.430P | Tulip for handshower                                   | 1    |
| 14   | 40.05.657P | Air inlet filter cpl.                                  | 1    |
| 15   | 40.05.654P | Air inlet filter cpl.                                  | 1    |
| 19   | 2039.0111P | Foot adjustable, metal, 40 x 40                        | 4    |
| 20   | 60.72.206  | Holder for handle mobile oven rack Type 20-1/1, 20-2/1 | 1    |

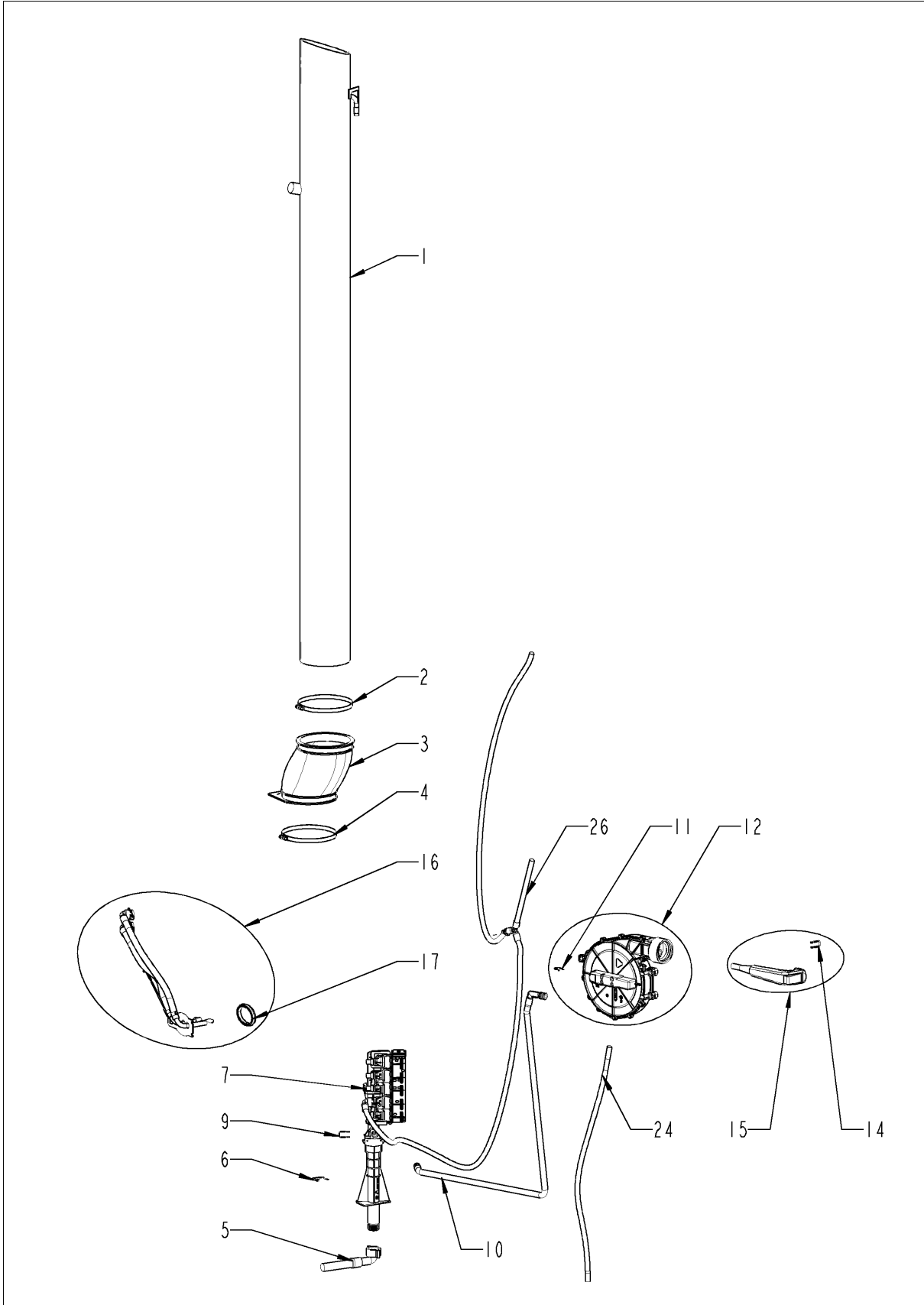
## Exterior cabinet



## Exterior cabinet

| Pos. | Part no.   | Description                           | Qty. |
|------|------------|---------------------------------------|------|
| 1    | 16.03.436P | Top cover                             | 1    |
| 2    | 1003.2265P | Countersunk self tapping screw 4,2x16 | 10   |
| 3    | 1104.0820P | Snap nut 4,2mm                        | 10   |
| 4    | 16.04.081P | Side panel right                      | 1    |
| 5    | 16.04.088P | Back panel, right                     | 1    |
| 8    | 16.03.438P | Side panel left                       | 1    |
| 9    | 10.01.755P | Countersunk screw M5x20 A2            | 2    |
| 11   | 16.03.688P | Front panel                           | 1    |
| 13   | 16.03.433P | Crossbar top                          | 1    |

# Water

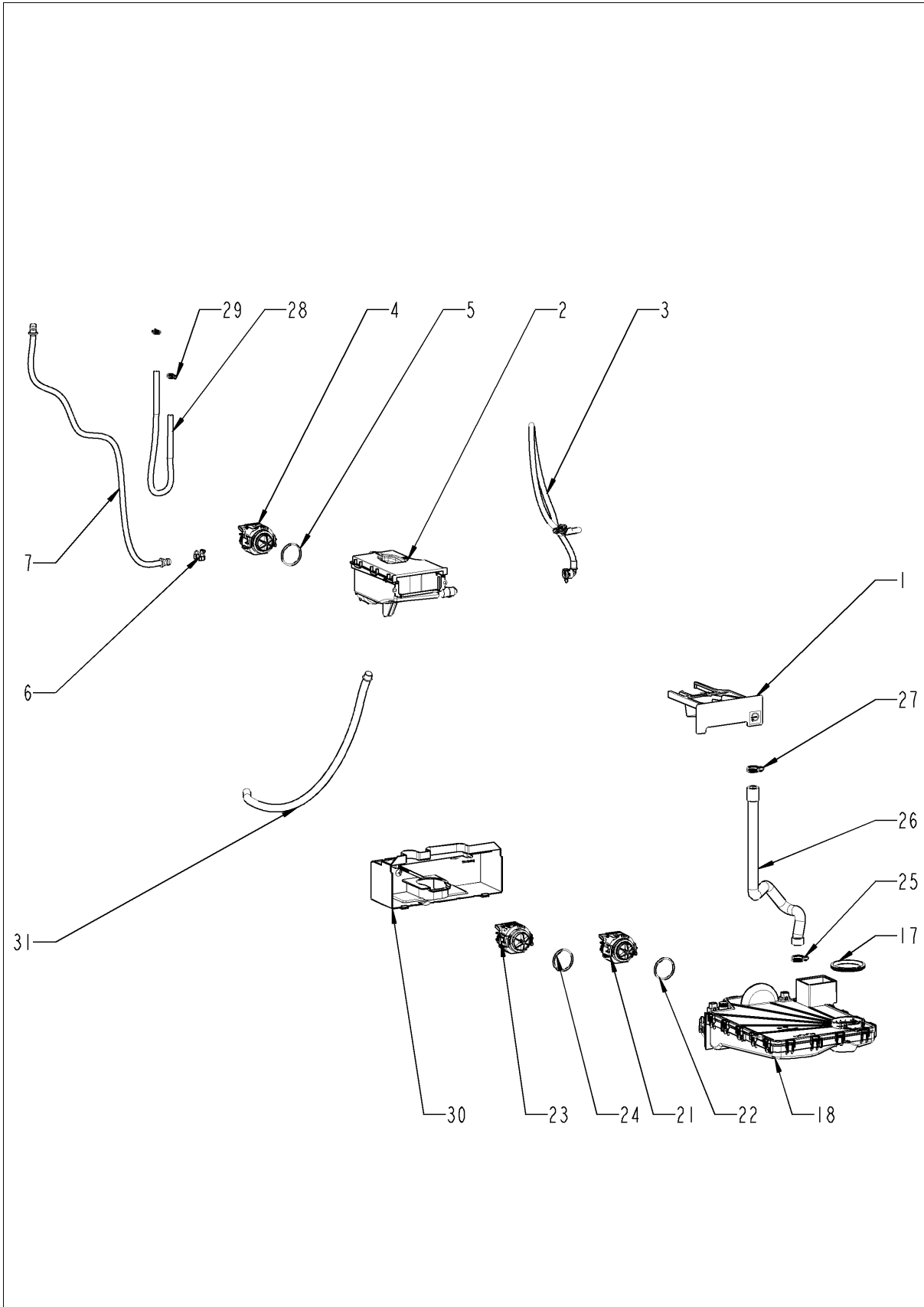




## Water

| Pos. | Part no.   | Description                              | Qty. |
|------|------------|--|------|
| 1    | 54.01.648P | Ventilation pipe                         | 1    |
| 2    | 10.01.667P | Hose clamp 122mm                         | 1    |
| 3    | 54.01.650S | Rubber form piece venting pipe           | 1    |
| 4    | 10.01.667P | Hose clamp 122mm                         | 1    |
| 5    | 2067.0709P | Hose for water supply 2500mm             | 1    |
| 6    | 50.00.086P | Locking plate f. water distribution      | 1    |
| 7    | 50.02.012P | Solenoid valve fivefold                  | 1    |
| 9    | 50.00.085P | Plug-in spring f. hand shower roll guide | 1    |
| 10   | 52.00.135S | Connect. hose f. hand shower roll guide  | 1    |
| 11   | 50.00.085P | Plug-in spring f. hand shower roll guide | 1    |
| 12   | 52.00.099P | Hand shower roll guide                   | 1    |
| 14   | 50.00.156P | Clamp f. hand shower roll guide          | 1    |
| 15   | 52.00.127S | Hand shower black                        | 1    |
| 16   | 54.01.863S | Inspection lid, B2                       | 1    |
| 17   | 54.01.168P | Gasket f. inspection lid                 | 1    |
| 24   | 52.00.150P | Hose f. hand shower                      | 1    |
| 26   | 50.02.200P | Supply hose for moistening               | 1    |

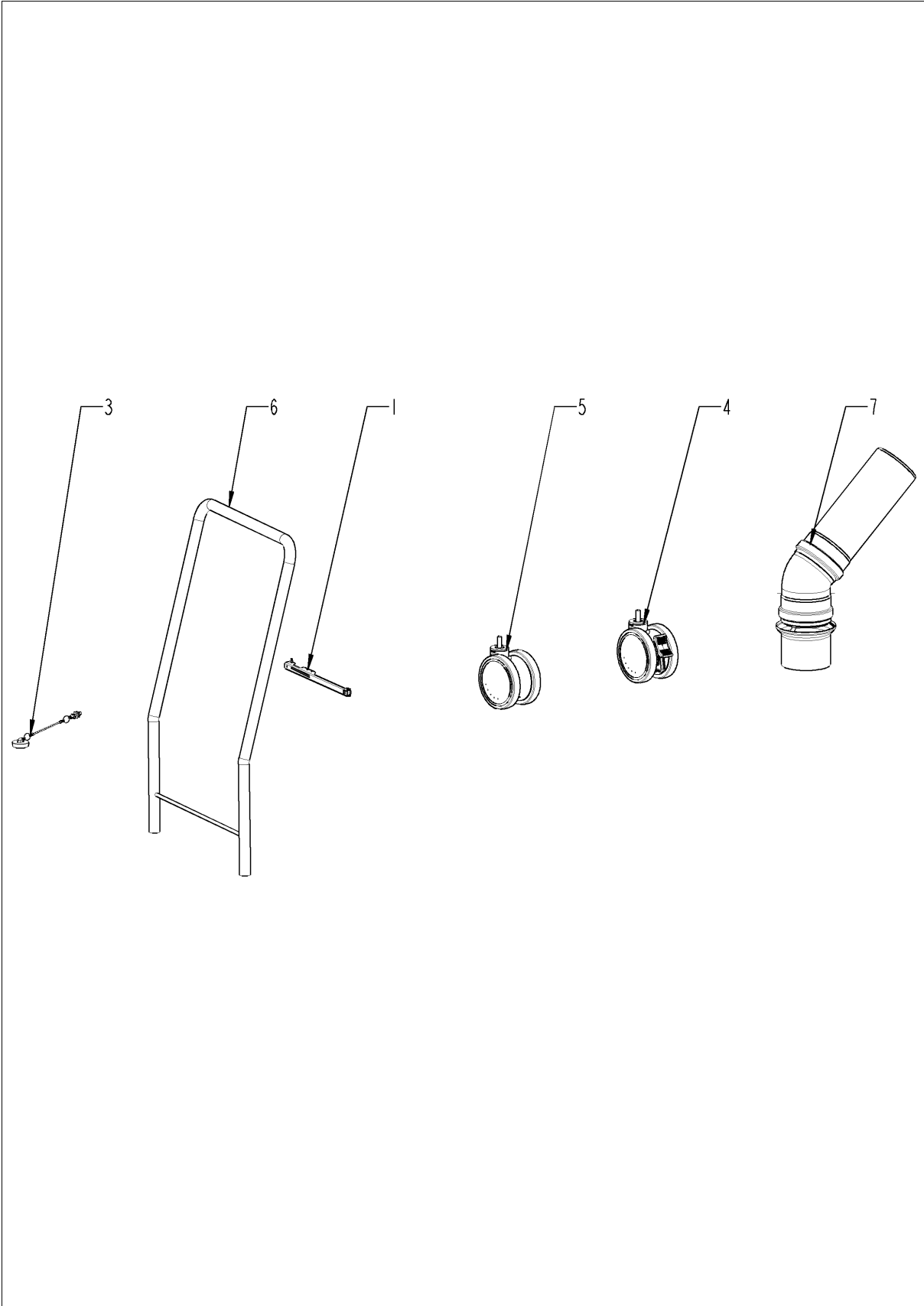
## CleanJet + Care



## CleanJet + Care

| Pos. | Part no.   | Description                    | Qty. |
|------|------------|--------------------------------|------|
| 1    | 56.00.952P | Drawer Care container          | 1    |
| 2    | 56.01.466P | Care container with pump       | 1    |
| 3    | 50.02.135P | Supply hose for "Care box"     | 1    |
| 4    | 56.01.028P | Pump f. CareControl            | 1    |
| 5    | 56.01.631P | O-ring for pump                | 1    |
| 6    | 10.01.703P | Locking ring 16 mm             | 1    |
| 7    | 56.01.508S | Care hose                      | 1    |
| 8    | 10.01.703P | Locking ring 16 mm             | 1    |
| 17   | 56.01.461P | Gasket DN60                    | 1    |
| 18   | 56.01.370P | Cleaning box                   | 1    |
| 21   | 56.01.017P | Waste water pump Cleaning box  | 1    |
| 22   | 56.01.631P | O-ring for pump                | 1    |
| 23   | 56.01.020P | Pump f. cleaning               | 1    |
| 24   | 56.01.631P | O-ring for pump                | 1    |
| 25   | 2066.0521P | Hose clamp 27mm                | 1    |
| 26   | 56.01.624S | CleanJet hose                  | 1    |
| 27   | 2066.0521P | Hose clamp 27mm                | 1    |
| 28   | 56.01.627S | Silicone hose with hose clamps | 1    |
| 29   | 10.01.994P | Hose clamp 15.88 mm            | 2    |
| 30   | 87.01.636S | Cover for pump                 | 1    |
| 31   | 56.01.499P | Emergency overflow-tube        | 1    |

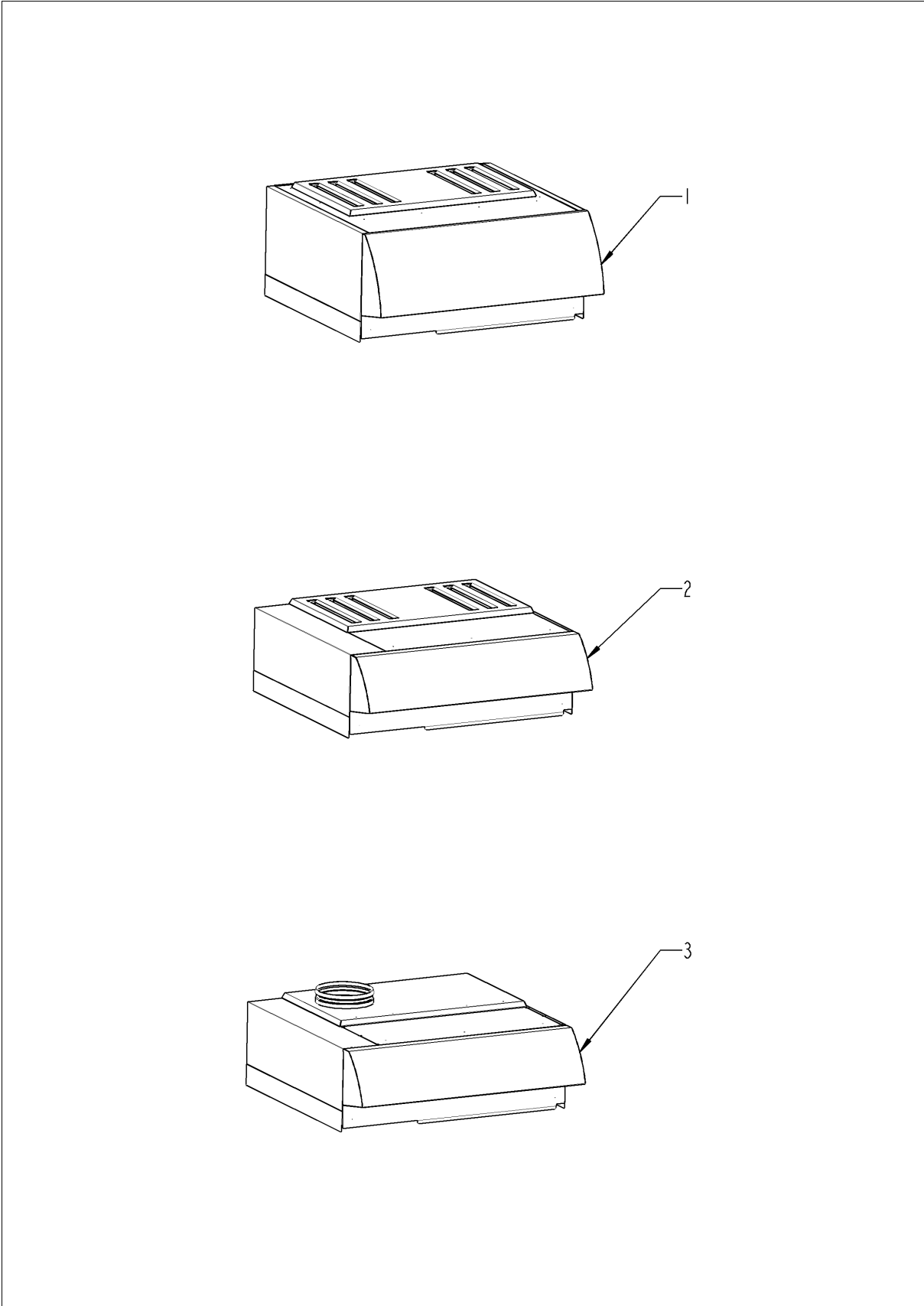
# Standard accessory



## Standard accessory

| Pos. | Part no.   | Description                        | Qty. |
|------|------------|------------------------------------|------|
| 1    | 60.71.022P | Positioning support f. core sensor | 1    |
| 3    | 60.60.566P | Drain plug with chain for trolley  | 1    |
| 4    | 60.74.681P | Castor with brake ø125mm           | 2    |
| 5    | 60.74.680P | Castor without brake ø125mm        | 2    |
| 6    | 60.21.055P | Handle for mobile oven rack        | 1    |
| 7    | 60.75.326  | Condensation breaker               | 1    |
| 8    |            | Exhaust hood                       | 1    |

# Exhaust hood



## Exhaust hood

| Pos. | Part no. | Description    | Qty. |
|------|----------|----------------|------|
| 1    |          | UltraVent Plus | 1    |
| 2    |          | UltraVent      | 1    |
| 3    |          | Extractor hood | 1    |



## UltraVent Plus



iCombi® ab 03/2020 201 - 20 x 1/1 Gastronorm  
E21SJ2007

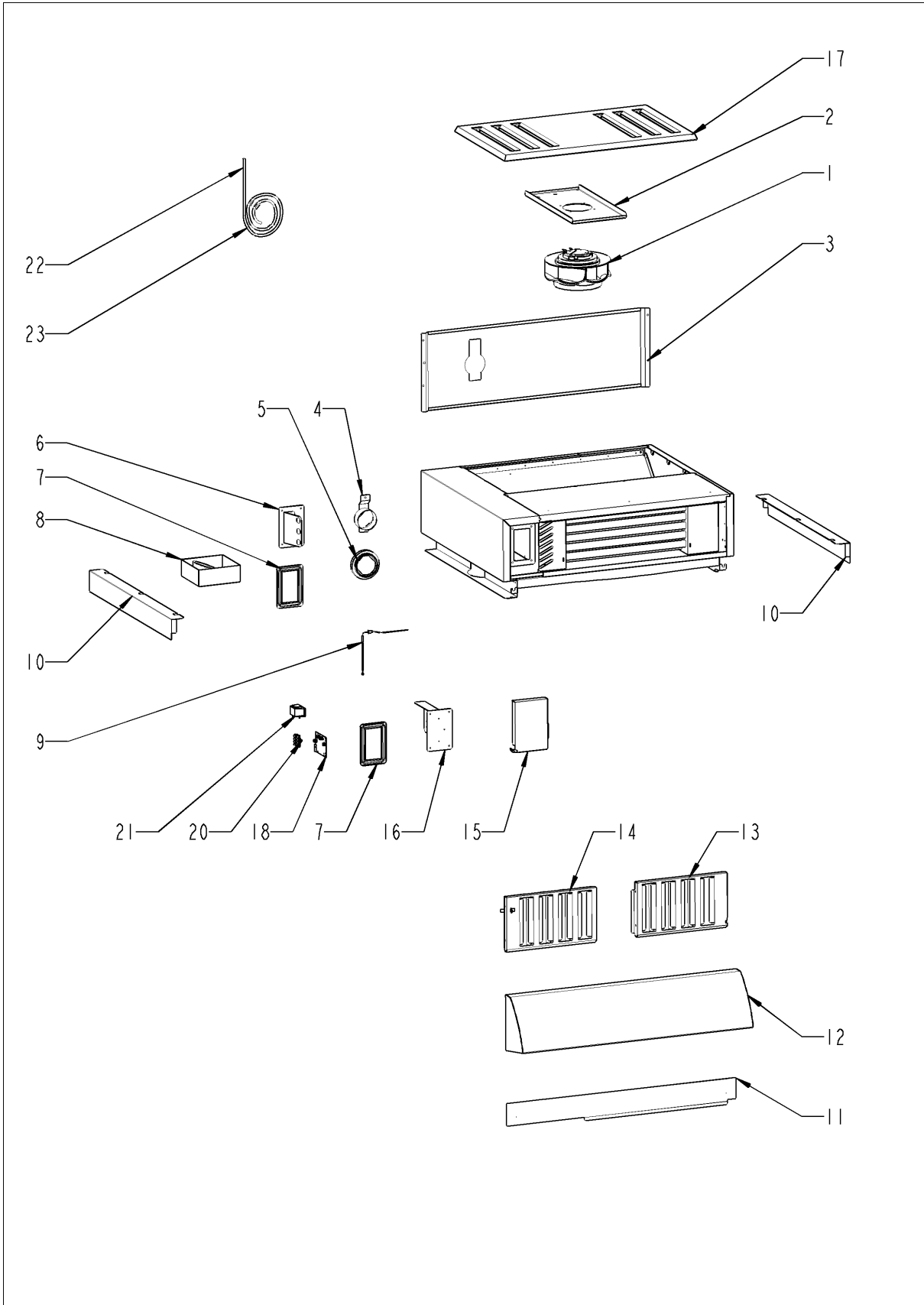
---



## UltraVent Plus

| Pos. | Part no. | Description | Qty. |
|------|----------|-------------|------|
|------|----------|-------------|------|

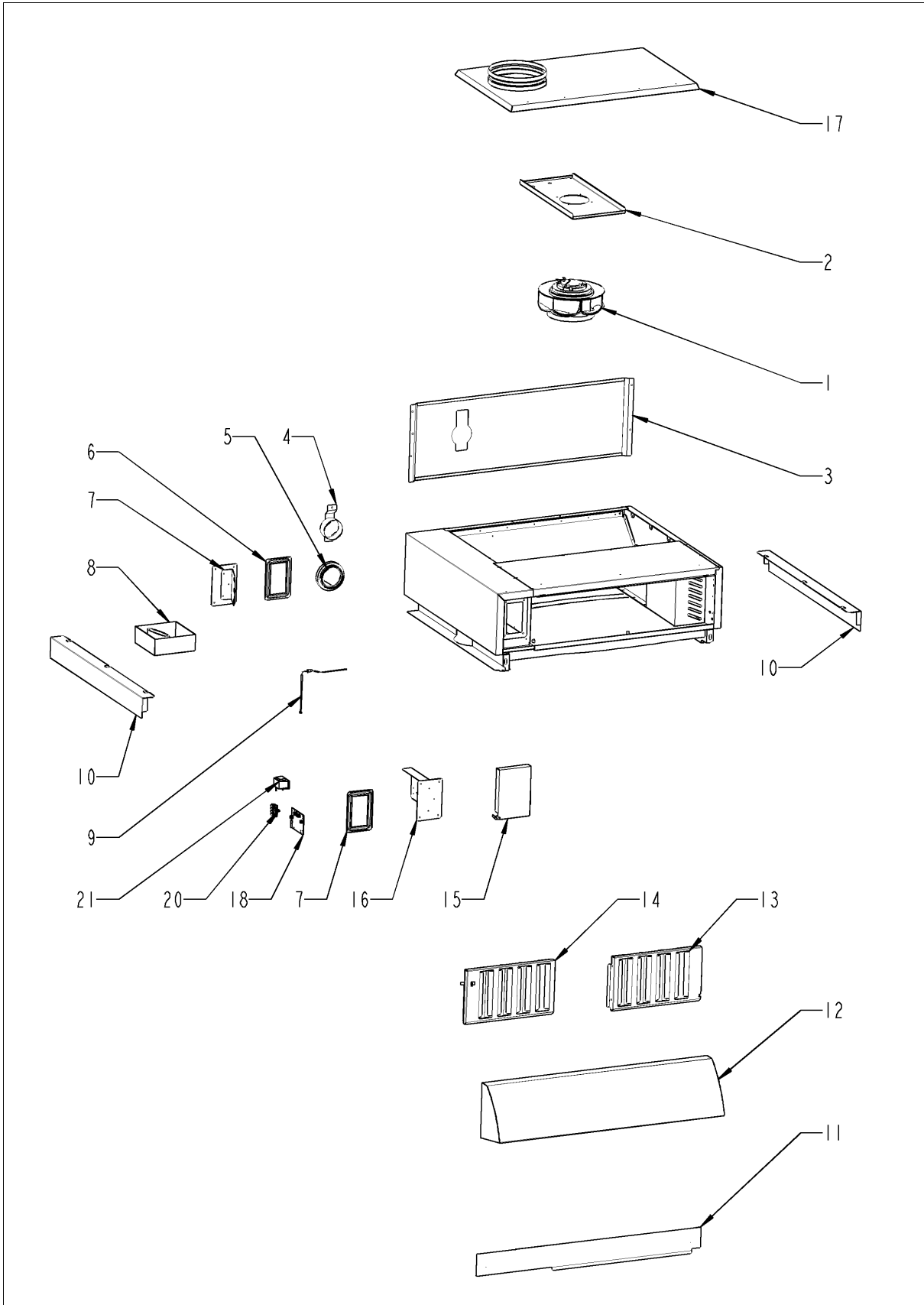
# UltraVent



## UltraVent

| Pos. | Part no.   | Description                  | Qty. |
|------|------------|------------------------------|------|
| 1    | 60.74.890S | Blower motor for Ultravent   | 1    |
| 1    | 60.74.889S | Blower motor for Ultravent   | 1    |
| 2    | 60.75.179S | Motor mounting plate         | 1    |
| 3    | 60.75.219S | Heat protection plate        | 1    |
| 4    | 60.75.215S | Closure Combi-Duo 70mm       | 1    |
| 6    | 60.75.171S | Electrical box cover back    | 1    |
| 7    | 60.75.212P | Electrical box seal          | 1    |
| 8    | 60.75.161P | Condensate collector 114,3mm | 1    |
| 9    | 40.05.995P | Thermocouple                 | 1    |
| 10   | 60.75.178P | side panels                  | 1    |
| 11   | 60.75.181S | Front panel                  | 1    |
| 12   | 60.75.196S | Front hood                   | 1    |
| 13   | 60.75.183P | Baffle plate filter right    | 1    |
| 14   | 60.75.200P | Baffle plate filter left     | 1    |
| 15   | 60.75.209P | Electrical box cover         | 1    |
| 16   | 60.75.175S | Electric box cover front     | 1    |
| 17   | 60.75.204S | IPX5 Coverage                | 1    |
| 18   | 42.00.308S | Control pcb                  | 1    |
| 19   | 60.76.574P | spacer CPU                   | 1    |
| 20   | 60.76.447S | Connection terminal          | 1    |
| 21   | 60.76.448S | power chokes                 | 1    |
| 21   | 60.76.449P | Capacitors                   | 1    |
| 22   | 40.06.596P | Bus cable                    | 1    |
| 24   | 87.01.781S | Thermocouple                 | 1    |

# Extractor hood



## Extractor hood

| Pos. | Part no.   | Description                  | Qty. |
|------|------------|------------------------------|------|
| 1    | 60.74.890S | Blower motor for Ultravent   | 1    |
| 1    | 60.74.889S | Blower motor for Ultravent   | 1    |
| 2    | 60.75.179S | Motor mounting plate         | 1    |
| 3    | 60.75.219S | Heat protection plate        | 1    |
| 6    | 60.75.171S | Electrical box cover back    | 1    |
| 7    | 60.75.212P | Electrical box seal          | 1    |
| 8    | 60.75.161P | Condensate collector 114,3mm | 1    |
| 9    | 40.05.995P | Thermocouple                 | 1    |
| 10   | 60.75.178P | side panels                  | 1    |
| 11   | 60.75.181S | Front panel                  | 1    |
| 12   | 60.75.196S | Front hood                   | 1    |
| 13   | 60.75.183P | Baffle plate filter right    | 1    |
| 14   | 60.75.200P | Baffle plate filter left     | 1    |
| 15   | 60.75.209P | Electrical box cover         | 1    |
| 16   | 60.75.175S | Electric box cover front     | 1    |
| 17   | 60.76.467S | Exhaust air plate            | 1    |
| 18   | 42.00.308S | Control pcb                  | 1    |
| 19   | 60.76.574P | spacer CPU                   | 1    |
| 20   | 60.76.447S | Connection terminal          | 1    |
| 21   | 60.76.448S | power chokes                 | 1    |
| 21   | 60.76.449P | Capacitors                   | 1    |
| 22   | 40.06.596P | Bus cable                    | 1    |
| 24   | 87.01.781S | Thermocouple                 | 1    |

## Index

| Part no.   | Description                                     | Page   |
|------------|---|--------|
| 40.05.484P | .....   | 7      |
| 24.03.057P | Abrasion protection for glide socket .....      | 25     |
| 22.01.346P | Air baffle .....                                | 21     |
| 40.05.654P | Air inlet filter cpl. ....                      | 11, 29 |
| 40.05.657P | Air inlet filter cpl. ....                      | 29     |
| 22.01.385P | Air inlet pipe .....                            | 13     |
| 87.01.619S | Air shaft cpl. ....                             | 7      |
| 16.04.088P | Back panel, right .....                         | 31     |
| 60.75.200P | Baffle plate filter left .....                  | 43, 45 |
| 60.75.183P | Baffle plate filter right .....                 | 43, 45 |
| 60.74.890S | Blower motor for Ultravent .....                | 43, 45 |
| 60.74.889S | Blower motor for Ultravent .....                | 43, 45 |
| 16.00.384S | Bracket for door contact switch .....           | 29     |
| 24.04.213S | Bracket left f. door floor model .....          | 25     |
| 24.04.212S | Bracket right f. door floor model .....         | 25     |
| 40.06.596P | Bus cable .....                                 | 43, 45 |
| 40.05.858P | Bus cable 1.08m .....                           | 7      |
| 40.07.148P | Bus cable 1.73m .....                           | 7      |
| 40.07.147P | Bus cable 1.96m .....                           | 7      |
| 40.00.320P | Cable connection M20x1.5 .....                  | 7      |
| 40.04.495P | Cable connection M25 ø5mm *divisible* .....     | 7      |
| 40.06.166P | Cable contactor-SSR .....                       | 7      |
| 40.06.060P | Cable control harness .....                     | 7      |
| 40.06.760P | Cable control pcb - capacitive switch .....     | 5      |
| 40.06.569P | Cable CPU - TFT .....                           | 5      |
| 40.06.878P | Cable holder .....                              | 7      |
| 40.06.248P | Cable SC pump .....                             | 7      |
| 40.06.251P | Cable, Care pump .....                          | 7      |
| 40.06.242P | Cable, circulation pump .....                   | 7      |
| 87.01.595S | Cable, interior light W40 *door lighting* ..... | 25     |
| 40.06.718P | Cable, interior light W57 *door lighting* ..... | 7      |
| 40.06.245P | Cable, sewage pump .....                        | 7      |

## Index

| Part no.   | Description                                   | Page       |
|------------|---|------------|
| 10.00.090P | Cap f. Torx T30 .....                         | 23         |
| 12.02.605P | Cap for door mounting support bottom .....    | 23         |
| 10.01.076P | Cap nut M5*A2 .....                           | 17, 19, 21 |
| 60.76.449P | Capacitors .....                              | 43, 45     |
| 56.01.466P | Care container with pump .....                | 35         |
| 56.01.508S | Care hose .....                               | 35         |
| 60.74.681P | Castor with brake ø125mm .....                | 37         |
| 60.74.680P | Castor without brake ø125mm .....             | 37         |
| 50.00.156P | Clamp f. hand shower roll guide .....         | 33         |
| 10.00.087P | Clamp strap f. sensor .....                   | 21         |
| 56.01.370P | Cleaning box .....                            | 35         |
| 56.01.624S | CleanJet hose .....                           | 35         |
| 60.75.215S | Closure Combi-Duo 70mm .....                  | 43         |
| 2001.0109P | Compression spring .....                      | 23         |
| 60.75.161P | Condensate collector 114,3mm .....            | 43, 45     |
| 60.75.326  | Condensation breaker .....                    | 37         |
| 52.00.135S | Connect. hose f. hand shower roll guide ..... | 33         |
| 60.76.447S | Connection terminal .....                     | 43, 45     |
| 40.06.455P | Contacto K3-40B00 190R T AZ .....             | 9          |
| 87.01.535S | Control panel insert *RAT* .....              | 5          |
| 42.00.308S | Control pcb .....                             | 43, 45     |
| 42.00.251P | Control pcb (w/o SD-Card) .....               | 5          |
| 40.06.355P | Cooling fan .....                             | 7          |
| 40.05.994P | Cooling fan 11938MB .....                     | 7          |
| 1315.0104P | Copper washer 16x20x1,5 .....                 | 21         |
| 10.01.755P | Countersunk screw M5x20 A2 .....              | 29, 31     |
| 1003.2265P | Countersunk self tapping screw 4,2x16 .....   | 31         |
| 24.03.062P | Cover cap for door .....                      | 25         |
| 16.03.735P | Cover f. control pcb w. gasket .....          | 5          |
| 16.04.110P | Cover for door mounting support .....         | 23         |
| 87.01.636S | Cover for pump .....                          | 35         |
| 16.03.433P | Crossbar top .....                            | 31         |

## Index

| <b>Part no.</b> | <b>Description</b>                               | <b>Page</b> |
|-----------------|--|-------------|
| 16.03.756P      | Dial f. pulse generator .....                    | 5           |
| 24.04.111S      | Door .....                                       | 23          |
| 24.03.040P      | Door bolt .....                                  | 23          |
| 24.04.245P      | Door bolt .....                                  | 23          |
| 24.01.351P      | Door catch .....                                 | 23          |
| 20.00.398P      | Door gasket .....                                | 21          |
| 24.04.065P      | Door handle RATIONAL .....                       | 23          |
| 24.04.244P      | Door lock .....                                  | 23          |
| 24.04.219P      | Door setting bolt .....                          | 25          |
| 40.06.380P      | Door switch .....                                | 29          |
| 22.01.468P      | Drain hose for humidity control, top .....       | 13          |
| 44.02.217S      | Drain hose steam generator .....                 | 15          |
| 44.02.232P      | Drain hose steam generator .....                 | 15          |
| 60.60.566P      | Drain plug with chain for trolley .....          | 37          |
| 56.00.952P      | Drawer Care container .....                      | 35          |
| 40.06.626P      | Earth terminal WKFN 16 D1/2/SL/35 .....          | 9           |
| 10.00.103P      | EJOT PT-screw KA 3.5x10 .....                    | 29          |
| 60.75.175S      | Electric box cover front .....                   | 43, 45      |
| 60.75.209P      | Electrical box cover .....                       | 43, 45      |
| 60.75.171S      | Electrical box cover back .....                  | 43, 45      |
| 60.75.212P      | Electrical box seal .....                        | 43, 45      |
| 40.06.638P      | Electrical mounting plate .....                  | 9           |
| 42.00.336P      | Electronic noise filter .....                    | 9           |
| 44.02.287P      | Emergency drainage hose .....                    | 15          |
| 56.01.499P      | Emergency overflow-tube .....                    | 35          |
| 56.01.024P      | Emptying pump .....                              | 15          |
| 40.05.280P      | End cover APFN 10 D1/2/35 .....                  | 9           |
| 60.76.467S      | Exhaust air plate .....                          | 45          |
| 87.01.558S      | Fan motor .....                                  | 19          |
| 22.01.151S      | Fan wheel .....                                  | 19          |
| 24.03.787S      | Fixing bracket kit for interior glass pane ..... | 25          |
| 40.03.756P      | Fixing clip f. pcb .....                         | 9           |



## Index

| Part no.   | Description  | Page      |
|------------|--|-----------|
| 24.04.619P | Fixing device f. magnet with magnet .....          | 25        |
| 40.06.053P | Fixing device for safety temperature limiter ..... | 21        |
| 16.03.747P | Fixing display / pcb .....                         | 5         |
| 22.01.427P | Flange f. motor shaft gasket .....                 | 19        |
| 87.01.634S | Flap mechanism .....                               | 27        |
| 2039.0111P | Foot adjustable, metal, 40 x 40 .....              | 29        |
| 60.75.196S | Front hood .....                                   | 43, 45    |
| 16.03.688P | Front panel .....                                  | 31        |
| 60.75.181S | Front panel .....                                  | 43, 45    |
| 40.06.767P | Fuse 4A *Typ 5HT 4-R* .....                        | 9         |
| 56.01.461P | Gasket DN60 .....                                  | 35        |
| 16.03.729P | Gasket f. breather tube d=117.3mm .....            | 29        |
| 46.00.278P | Gasket f. heating assembly .....                   | 17        |
| 44.02.503P | Gasket f. heating element .....                    | 15        |
| 54.01.168P | Gasket f. inspection lid .....                     | 33        |
| 24.05.091P | Gasket glass pane/trolley .....                    | 27        |
| 44.02.200P | Gasket SC pump .....                               | 15        |
| 24.04.468S | Gasket support .....                               | 27        |
| 24.05.227S | Glass pane bundle .....                            | 25        |
| 22.01.425P | Graphit seal for gasket flange .....               | 19        |
| 44.01.505P | Grommet Ø12x8,2 .....                              | 15        |
| 52.00.127S | Hand shower black .....                            | 33        |
| 52.00.099P | Hand shower roll guide .....                       | 33        |
| 60.21.055P | Handle for mobile oven rack .....                  | 37        |
| 60.75.219S | Heat protection plate .....                        | 43, 45    |
| 40.03.931P | Heat sink small 2 SSR .....                        | 7         |
| 87.01.557S | Heating assembly with gasket .....                 | 17        |
| 44.02.195S | Heating element with gasket .....                  | 15        |
| 44.02.255S | Heating element with gasket .....                  | 15        |
| 10.01.065P | Hex nut M5 .....                                   | 21        |
| 10.00.709P | Hex nut M6 w. locking .....                        | 9, 15, 19 |
| 10.01.751P | Hex nut M16 DIN934 A2 .....                        | 21        |

## Index

| Part no.   | Description  | Page   |
|------------|--|--------|
| 10.00.109P | Hex screw M5x23 .....  | 17     |
| 10.00.099S | Hex screw M8x12 .....  | 23     |
| 10.00.936P | Hex screw M8x20 .....  | 19, 23 |
| 10.01.208P | Hex screw M8x80 A2 .....                                     | 7      |
| 60.72.206  | Holder for handle mobile oven rack Type 20-1/1, 20-2/1 ..... | 29     |
| 16.03.749P | Hook for parking position .....                              | 5      |
| 2066.0205P | Hose clamp 8-16x9 mm SW 7mm .....                            | 15     |
| 10.01.994P | Hose clamp 15.88 mm .....                                    | 35     |
| 2066.0521P | Hose clamp 27mm .....  | 35     |
| 2066.0518P | Hose clamp 30mm .....  | 15     |
| 10.01.667P | Hose clamp 122mm .....                                       | 33     |
| 2066.0527P | Hose clamp ø14mm .....                                       | 13     |
| 52.00.150P | Hose f. hand shower .....                                    | 33     |
| 2067.0709P | Hose for water supply 2500mm .....                           | 33     |
| 22.00.525P | Hose set f. humidity control .....                           | 13     |
| 50.02.277P | Hose, water supply, steam generator .....                    | 15     |
| 22.01.402P | Humidity control cpl. ....                                   | 13     |
| 54.01.863S | Inspection lid, B2 .....                                     | 33     |
| 40.05.283P | Insulated jumper bar IVB WKF 10-2 .....                      | 9      |
| 40.06.410P | Interface cable LAN 2m .....                                 | 5, 7   |
| 40.05.509P | Interface LAN IPX6 .....                                     | 7      |
| 87.01.741S | Interface USB .....  | 7      |
| 40.05.919P | IO-module .....  | 9      |
| 60.75.204S | IPX5 Coverage .....  | 43     |
| 20.02.807P | Isolation for mounting plate for motor .....                 | 19     |
| 87.01.554S | Kit Steam generator insulated .....                          | 15     |
| 87.01.578S | LED bar .....  | 25     |
| 87.01.586S | LED optics .....   | 25     |
| 50.00.086P | Locking plate f. water distribution .....                    | 33     |
| 10.01.703P | Locking ring 16 mm .....                                     | 35     |
| 10.01.707P | Locking ring 25mm .....                                      | 15     |
| 40.06.728P | Loudspeaker K 64 WPTR .....                                  | 11     |

## Index

| Part no.   | Description                                    | Page   |
|------------|--|--------|
| 46.00.279P | Mating flange f. heating assembly .....        | 17     |
| 40.05.997P | Meat probe sensor .....                        | 21     |
| 16.03.748P | Metal cramp f. panel insert .....              | 5      |
| 42.00.359P | Micro SD card .....                            | 5      |
| 44.02.495S | Molded hose with level electrode .....         | 15     |
| 42.00.276P | Motor control for fan motor .....              | 19     |
| 60.75.179S | Motor mounting plate .....                     | 43, 45 |
| 22.00.985P | Motor shaft gasket D15 .....                   | 19     |
| 40.05.702P | Mounting device f. pressure sensor .....       | 13     |
| 40.06.386P | Mounting device heat sink SSR .....            | 7      |
| 22.01.423P | Mounting support f. gasket flange .....        | 19     |
| 40.06.116S | Mounting support for pump pcb .....            | 9      |
| 40.06.042S | Mounting support power transformer .....       | 7      |
| 50.02.004P | Nozzle f. moistening .....                     | 17     |
| 10.01.694P | O-ring for humidity control .....              | 13     |
| 56.01.631P | O-ring for pump .....                          | 35     |
| 42.00.287P | Operator pcb *TFT* .....                       | 5      |
| 10.01.880P | Ornamental screw M8x25 .....                   | 23     |
| 56.01.491P | Outlet sieve .....                             | 21     |
| 10.01.266P | Pan head screw Torx T20 10,5mm .....           | 7      |
| 10.01.776P | Pan head screw Torx T20 M4x12 .....            | 7      |
| 50.02.006P | Plastic pipe PEEK .....                        | 17     |
| 24.05.458P | Plastic spreader rivet .....                   | 25     |
| 50.00.085P | Plug-in spring f. hand shower roll guide ..... | 33     |
| 60.71.022P | Positioning support f. core sensor .....       | 37     |
| 60.76.448S | power chokes .....                             | 43, 45 |
| 24.04.231S | Pre heat mechanism f. door cpl. ....           | 25     |
| 24.04.676S | Pre heat sheet f. door .....                   | 27     |
| 3017.1011P | Pressure sensor Huba 401 .....                 | 13     |
| 40.06.037P | Pulse generator .....                          | 5      |
| 56.01.028P | Pump f. CareControl .....                      | 35     |
| 56.01.020P | Pump f. cleaning .....                         | 35     |

## Index

| Part no.   | Description  | Page     |
|------------|--|----------|
| 44.02.179S | Pump housing .....                                     | 15       |
| 42.00.273P | Pump pcb .....   | 9        |
| 10.00.515P | Rivet 3,2x6.8 A2/NSF .....                             | 21       |
| 1604.0161P | Rivet 4x6 CNS .....                                    | 25       |
| 10.00.904P | Rivet B4x8 .....                                       | 25       |
| 10.00.989P | Rivet with screw .....                                 | 7, 9, 25 |
| 54.01.650S | Rubber form piece venting pipe .....                   | 33       |
| 87.01.548S | Safety device / water supply for steam generator ..... | 15       |
| 40.06.682P | Safety temperature limiter .....                       | 21       |
| 40.06.098P | Screen for safety temperature limiter .....            | 21       |
| 40.05.489P | Screen interior cabinet sensor .....                   | 21       |
| 16.04.062P | Sealing block .....                                    | 5        |
| 16.03.701P | Sealing block LAN .....                                | 5        |
| 16.03.342P | Sealing f. panel insert .....                          | 5        |
| 42.00.346P | Sensor on / off .....                                  | 5        |
| 16.03.438P | Side panel left .....                                  | 31       |
| 16.04.081P | Side panel right .....                                 | 31       |
| 60.75.178P | side panels .....                                      | 43, 45   |
| 56.01.627S | Silicone hose with hose clamps .....                   | 35       |
| 1104.0820P | Snap nut 4,2mm .....                                   | 31       |
| 50.02.012P | Solenoid valve fivefold .....                          | 33       |
| 40.00.453P | Solid state relais .....                               | 7        |
| 60.76.574P | spacer CPU .....                                       | 43, 45   |
| 24.05.002P | Stop spacer .....                                      | 23       |
| 50.02.135P | Supply hose for "Care box" .....                       | 35       |
| 50.02.200P | Supply hose for moistening .....                       | 33       |
| 44.02.225S | Supply hose safety armature .....                      | 15       |
| 40.06.112P | Temperature sensor eSTB .....                          | 21       |
| 40.06.133P | Temperature sensor eSTB 100mm .....                    | 15       |
| 40.06.627P | Terminal block blue WKFN 16 Duo .....                  | 9        |
| 40.04.642P | Terminal block grey WKFN 10 D1/2/35 .....              | 9        |
| 40.05.995P | Thermocouple .....                                     | 43, 45   |

## Index

| Part no.   | Description                             | Page   |
|------------|---|--------|
| 87.01.781S | Thermocouple .....                      | 43, 45 |
| 40.06.792S | Thermocouple humidity *B4* .....        | 21     |
| 40.06.805P | Thermocouple interior cabinet B1 .....  | 21     |
| 40.06.730P | Thermocouple interior cabinet B9 .....  | 21     |
| 40.06.720P | Thermocouple steam generator *B5* ..... | 15     |
| 1206.0120P | Tooth lock washer A6,4 .....            | 29     |
| 16.03.436P | Top cover .....                         | 31     |
| 56.01.430P | Tulip for handshower .....              | 29     |
| 50.02.005P | Union nut .....                         | 17     |
| 40.06.044P | USB socket with cable .....             | 5      |
| 72.00.492P | V Clamp 50mm right .....                | 15     |
| 40.06.214P | Vent cover .....                        | 13, 29 |
| 22.01.456P | Vent cover, left .....                  | 13     |
| 40.06.570P | Ventilation at top .....                | 13     |
| 54.01.648P | Ventilation pipe .....                  | 33     |
| 1308.0162P | Washer A8,4 .....                       | 19     |
| 56.01.017P | Waste water pump Cleaning box .....     | 35     |

