



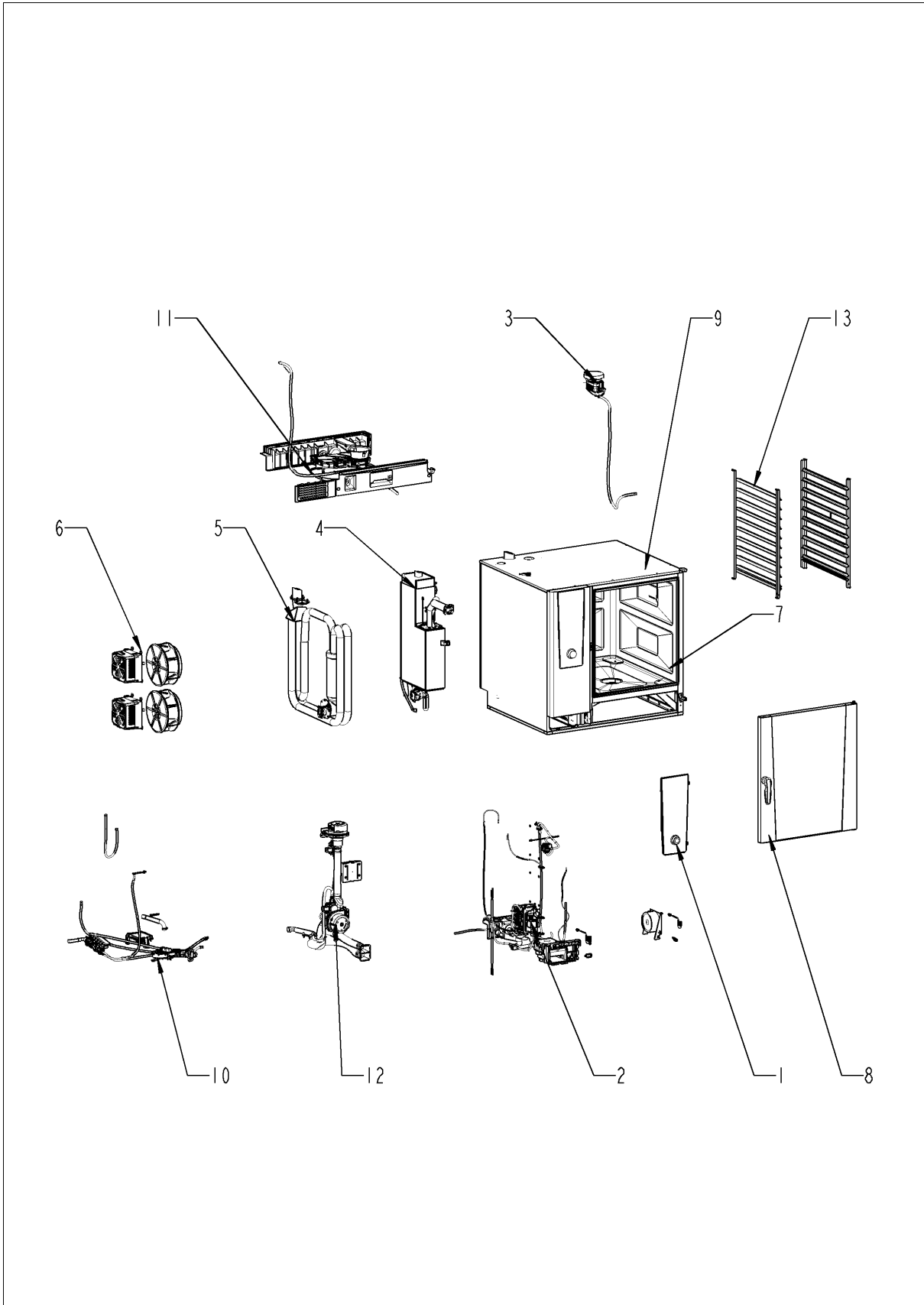
Service part catalogue

iCombi® ab 03/2020 102 - 10 x 2/1 Gastronorm

G12SJ2006



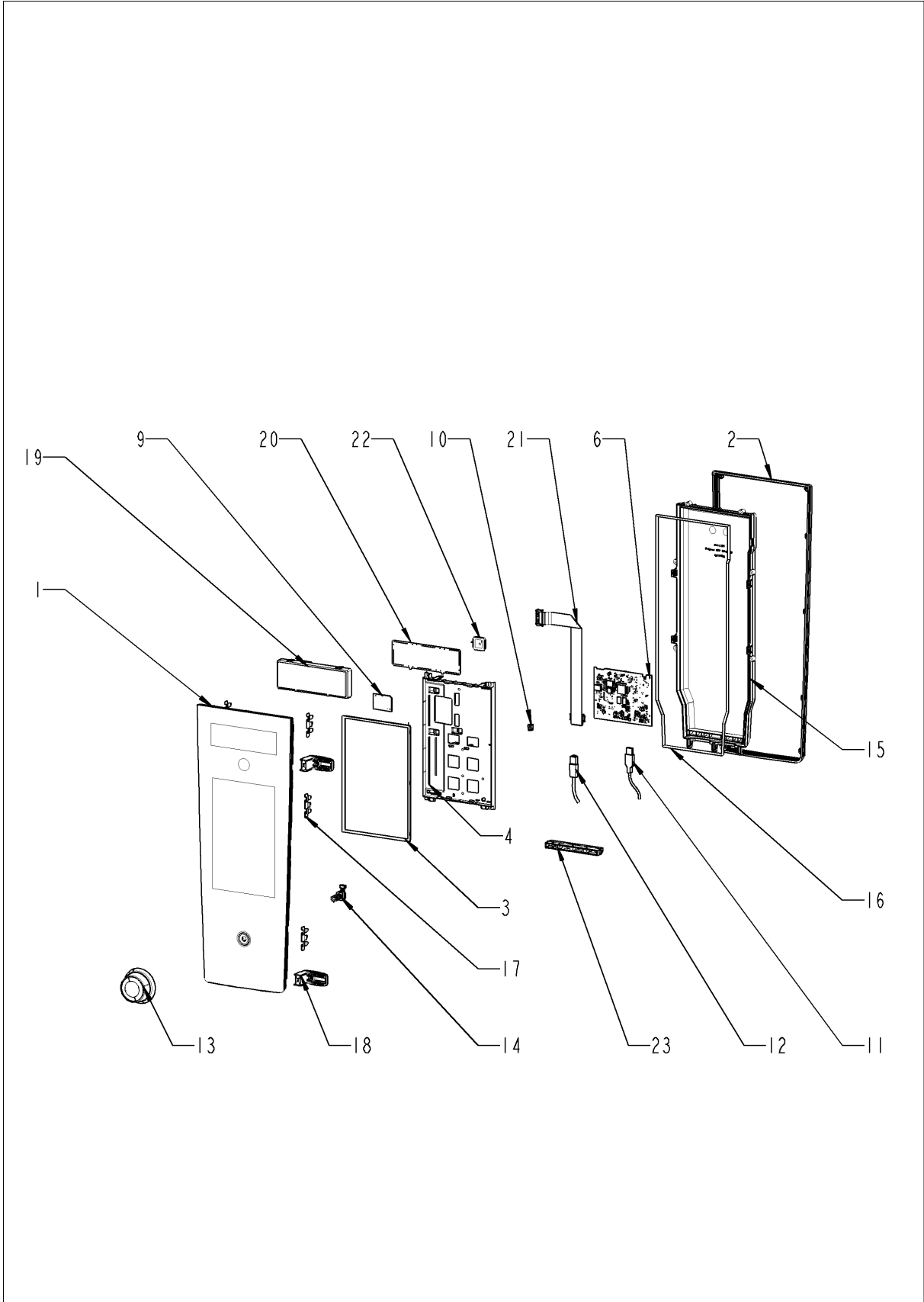
Overview



Overview

Pos.	Assembly	Page
1	Control panel	4
2	Electrical installation	6
3	ClimaPlus	12
4	Steam generator	14
5	Hot air heating	16
6	Motor and fan wheel	20
7	Interior cabinet	22
8	Door	24
9	Exterior cabinet	28
10	Water	32
11	CleanJet + Care	34
12	Gas parts	36
13	Standard accessory	38

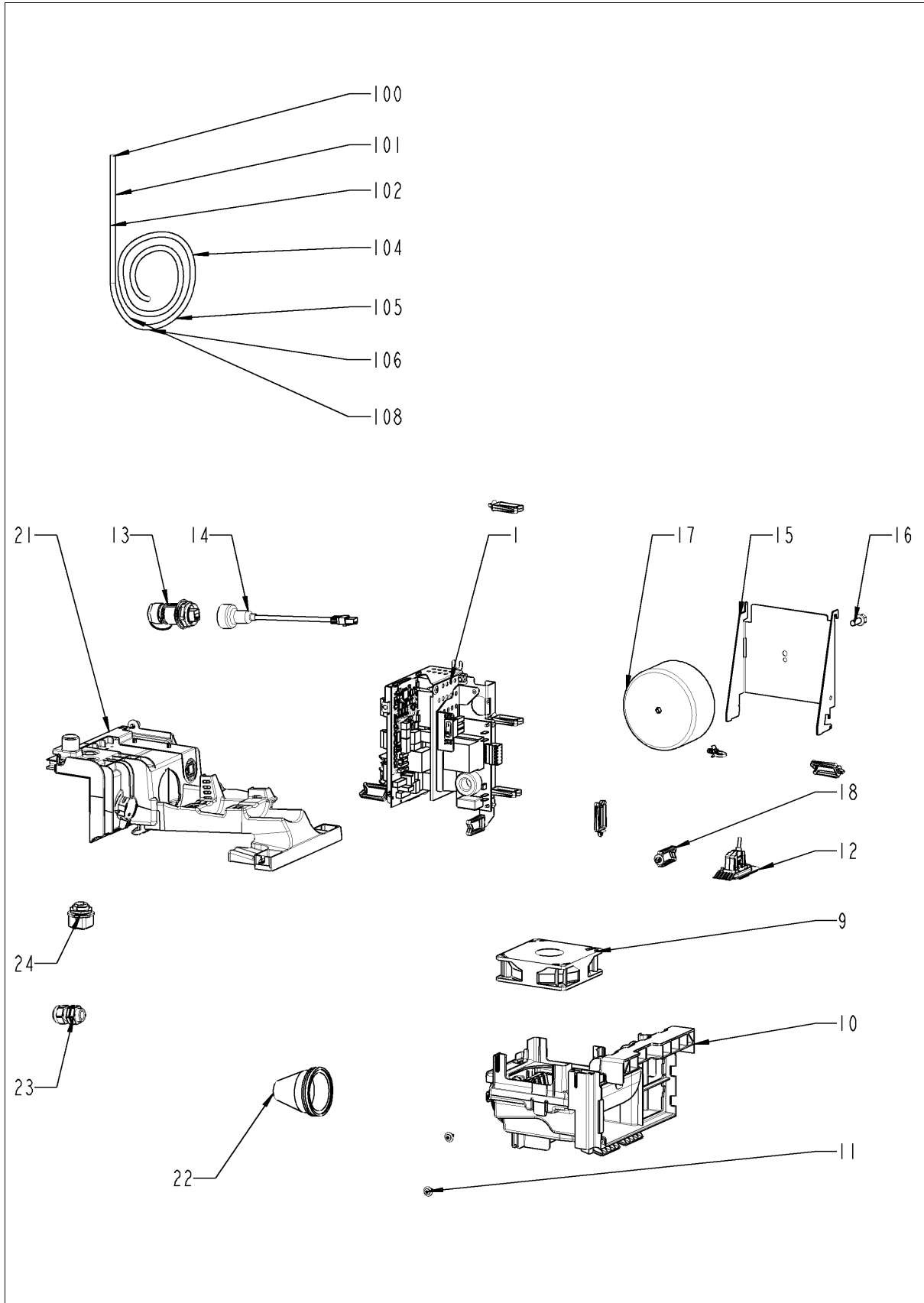
Control panel



Control panel

Pos.	Part no.	Description	Qty.
1	87.01.535S	Control panel insert *RAT*	1
2	16.03.342P	Sealing f. panel insert	1
3	42.00.287P	Operator pcb *TFT*	1
4	16.03.747P	Fixing display / pcb	1
6	42.00.335P	Control pcb without WiFi (w/o SD-Card)	1
8	42.00.359P	Micro SD card	1
9	42.00.346P	Sensor on / off	1
10	40.06.760P	Cable control pcb - capacitive switch	1
11	40.06.044P	USB socket with cable	1
12	40.06.409P	Interface cable LAN 1.5m	1
13	16.03.756P	Dial f. pulse generator	1
14	40.06.037P	Pulse generator	1
15	16.03.735P	Cover f. control pcb w. gasket	1
17	16.03.748P	Metal cramp f. panel insert	6
18	16.03.749P	Hook for parking position	2
21	40.06.569P	Cable CPU - TFT	1
23	16.04.062P	Sealing block	1
23	16.03.701P	Sealing block LAN	1

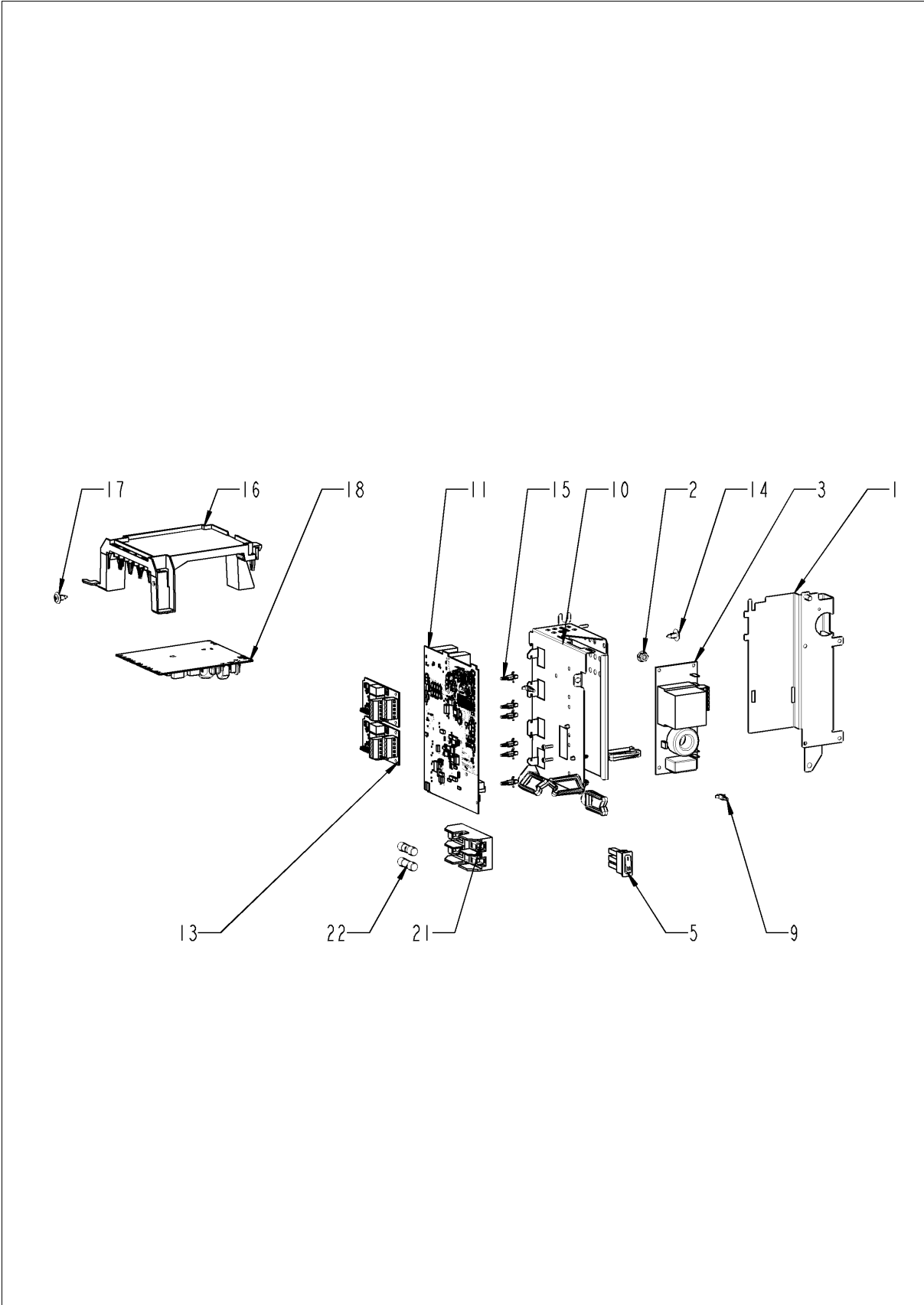
Electrical installation



Electrical installation

Pos.	Part no.	Description	Qty.
1		Electrical installation	1
9	40.05.993P	Cooling fan	1
10	40.06.566P	Air shaft cpl.	1
11	10.00.989P	Rivet with screw	1
12	40.06.043P	Interface USB	1
13	40.06.327P	Interface LAN IPX6	1
14	40.06.409P	Interface cable LAN 1.5m	1
15	40.05.968P	Mounting support power transformer	1
16	10.01.208P	Hex screw M8x80 A2	1
17	40.06.005P	Power transformer	1
18	40.06.878P	Cable holder	8
21	87.01.620S	Cable entry	1
22	40.06.777S	Cable bushing f. cable entry	1
23	40.00.320P	Cable connection M20x1.5	1
24	40.04.495P	Cable connection M25 ø5mm *divisible*	1
25	3019.0125P	Fuse 5x20mm	1
100	40.06.065P	Cable control harness	1
101	40.06.625P	Pump harness	1
102	40.06.624P	Cable harness base	1
104	40.06.323P	Cable harness isolating transformer	1
112	40.06.756P	Power supply cable 3xAWG14 3m	1
114	40.07.148P	Bus cable 1.73m	1
115	40.05.858P	Bus cable 1.08m	1
116	40.05.858P	Bus cable 1.08m	1
117	40.07.146P	Bus cable 1.35m	1
120	40.05.858P	Bus cable 1.08m	1

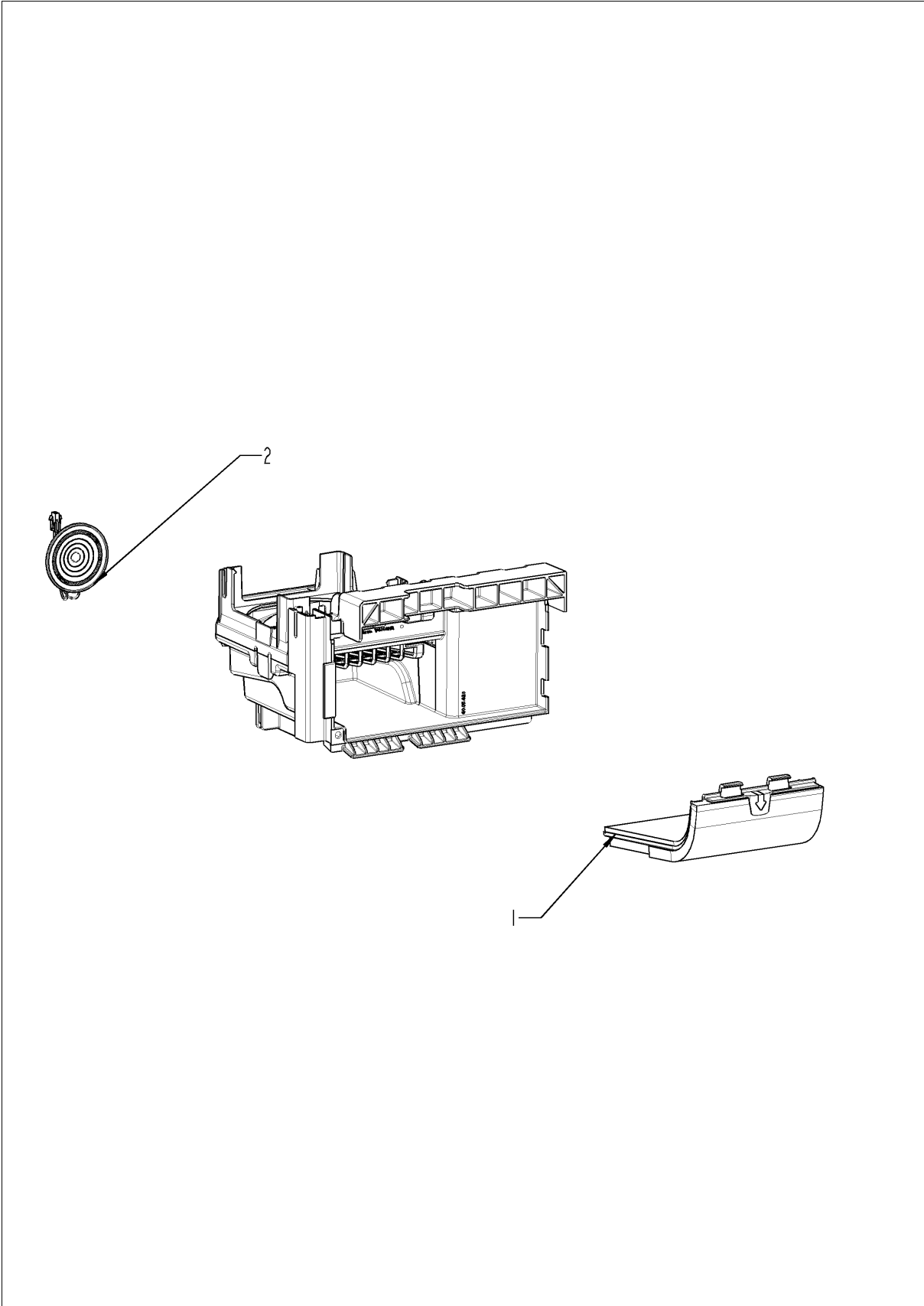
Electrical installation



Electrical installation

Pos.	Part no.	Description	Qty.
1	40.06.385P	Electrical mounting plate	1
2	10.00.709P	Hex nut M6 w. locking	1
3	42.00.286P	Electronic noise filter	1
5	40.01.358P	Rocker switch 1 pole	1
9	40.03.756P	Fixing clip f. pcb	1
11	40.05.919P	IO-module	1
14	10.00.989P	Rivet with screw	1
15	40.03.756P	Fixing clip f. pcb	1
16	40.04.953P	Mounting support for pump pcb	1
17	10.00.989P	Rivet with screw	1
18	42.00.273P	Pump pcb	1
21	4001.1295P	Fuse holder e 1003Si/1DS	2
22	4001.0224P	Fuse 6.35x32mm 6.3A	2
28	40.06.767P	Fuse 4A *Typ 5HT 4-R*	1

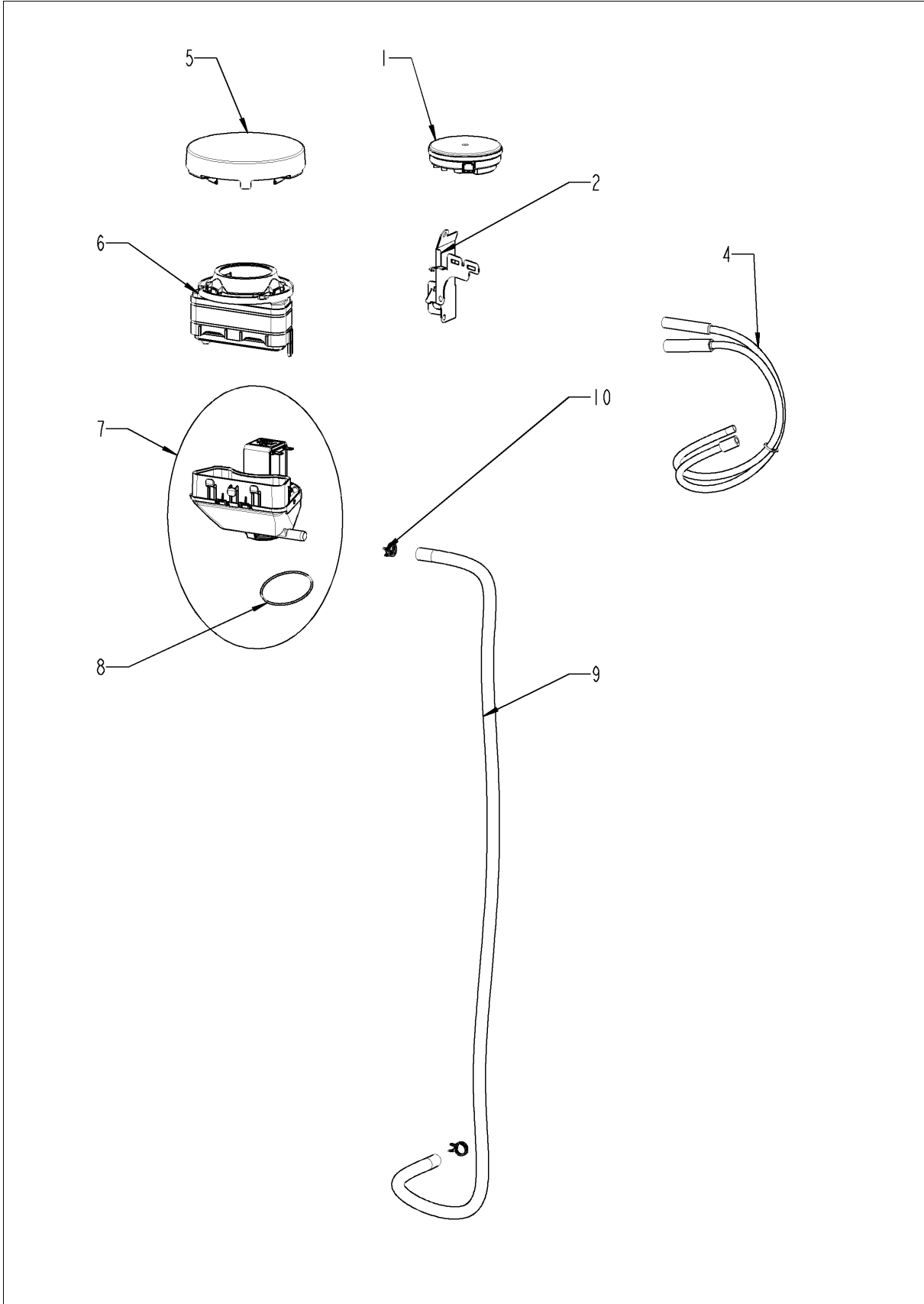
Air shaft cpl.



Air shaft cpl.

Pos.	Part no.	Description	Qty.
1	40.05.424P	Air inlet filter cpl.	1
2	40.06.728P	Loudspeaker K 64 WPTR	1

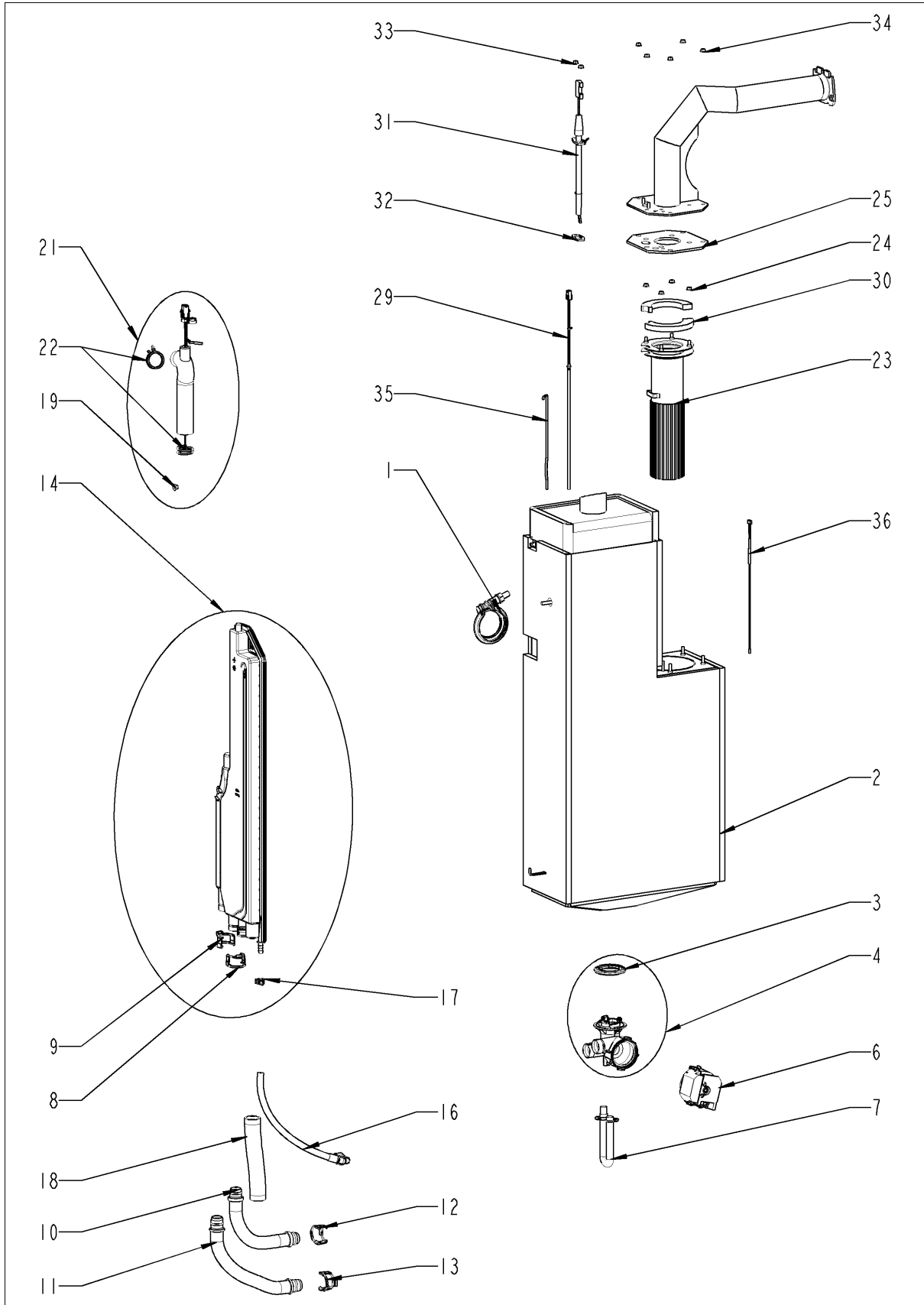
ClimaPlus



ClimaPlus

Pos.	Part no.	Description	Qty.
1	3017.1011P	Pressure sensor Huba 401	1
2	40.05.435P	Mounting device f. pressure sensor	1
4	22.00.525P	Hose set f. humidity control	1
5	22.01.409P	Vent cover	1
6	87.01.553S	Air inlet pipe	1
7	22.01.402P	Humidity control cpl.	1
8	10.01.694P	O-ring for humidity control	2
9	56.01.519P	Drain hose set, humidity control, unit drip collector	1
10	2066.0527P	Hose clamp ø14mm	2

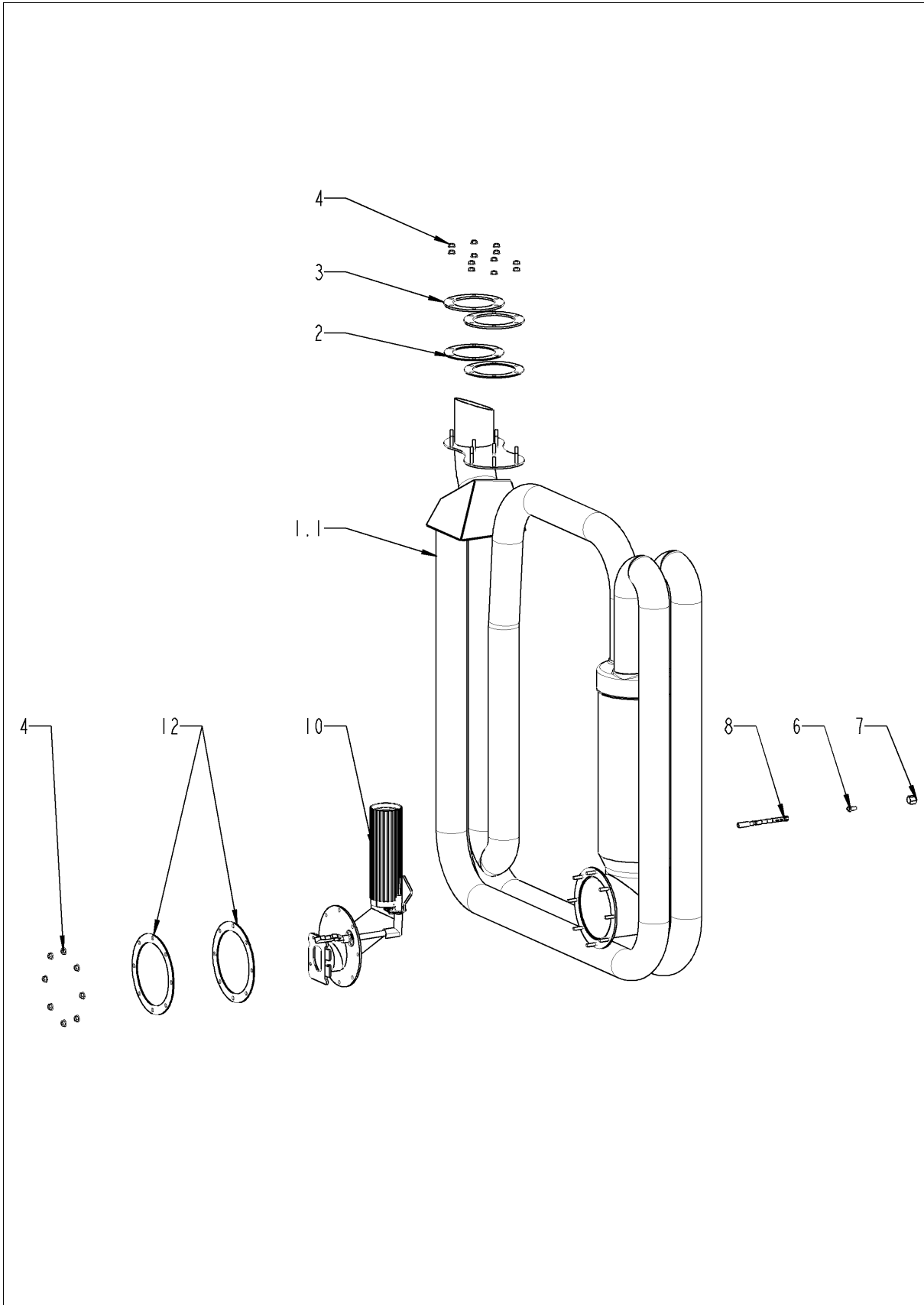
Steam generator



Steam generator

Pos.	Part no.	Description	Qty.
1	72.00.492P	V Clamp 50mm right	1
2	87.01.624S	Kit Steam generator insolated	1
3	44.02.200P	Gasket SC pump	1
4	44.02.179S	Pump housing	1
6	56.01.024P	Emptying pump	1
7	44.02.287P	Emergency drainage hose	1
8	10.01.707P	Locking ring 25mm	1
9	10.01.707P	Locking ring 25mm	1
10	44.02.227S	Supply hose safety armature	1
11	44.02.751S	Drain hose steam generator	1
12	10.01.707P	Locking ring 25mm	1
13	10.01.707P	Locking ring 25mm	1
14	87.01.548S	Safety device / water supply for steam generator	1
16	50.02.117P	Hose, water supply, steam generator	1
17	2066.0205P	Hose clamp 8-16x9 mm SW 7mm	1
18	44.02.229P	Drain hose steam generator	1
19	44.01.505P	Grommet Ø12x8,2	1
21	44.02.495S	Molded hose with level electrode	1
22	2066.0518P	Hose clamp 30mm	2
23	70.01.278S	Burner steam gen. kit	1
24	10.01.065P	Hex nut M5	1
25	72.00.408P	Gasket f. burner carrier	1
29	40.06.131P	Temperature sensor eSTB 240mm	1
30	72.00.077P	Insulation f. burner steam gen.	1
31	70.01.250S	Ignition electrode kit for steam generator	1
32	70.01.258P	Gasket f. ignition electrode	1
33	10.01.065P	Hex nut M5	2
34	10.01.065P	Hex nut M5	5
35	72.00.505P	Fixing plate steam generator thermostat	1
36	40.06.230P	Thermocouple steam generator *B5*	1

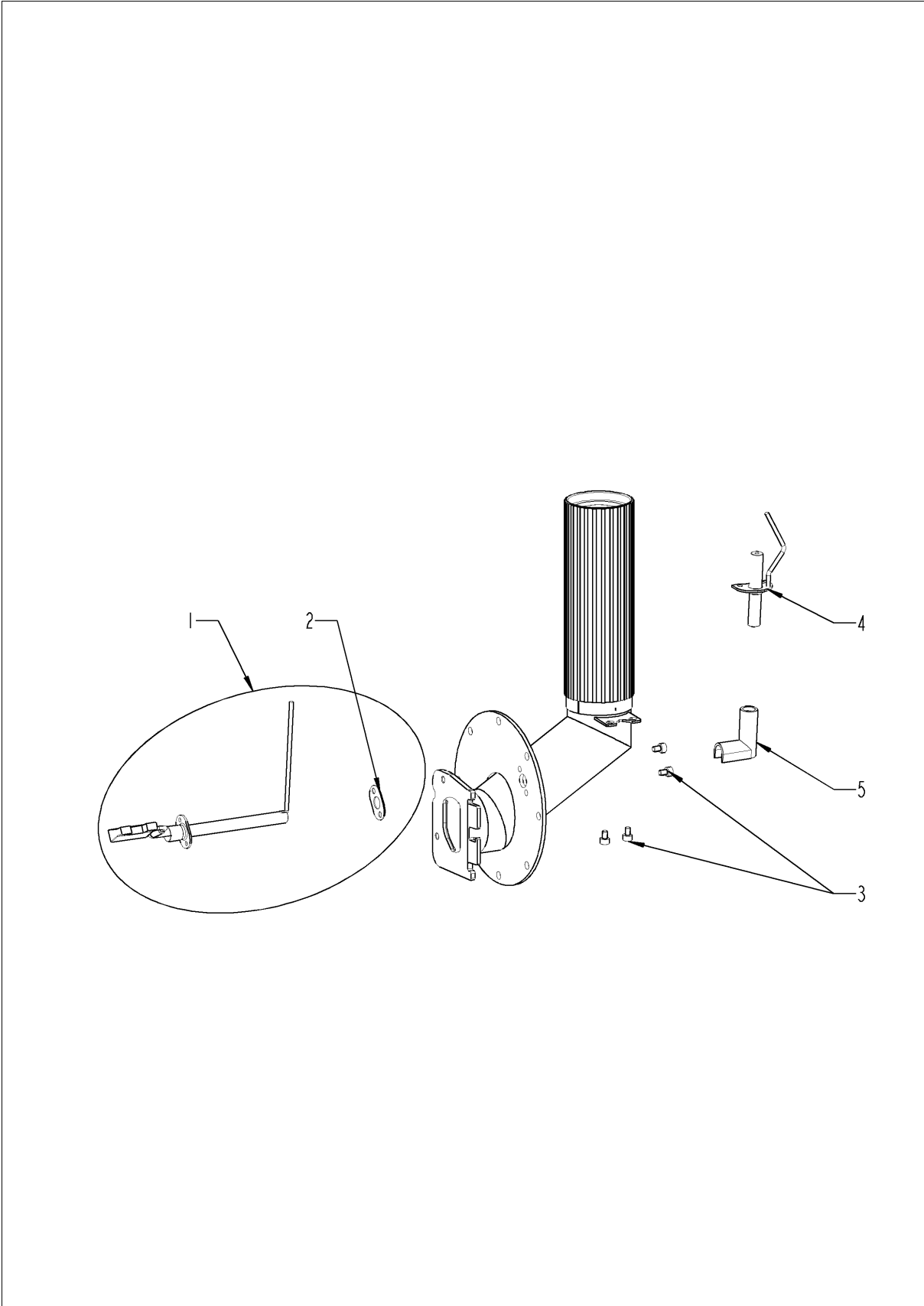
Hot air heating



Hot air heating

Pos.	Part no.	Description	Qty.
1.1	74.01.180S	Hot air heat exchanger	1
2	74.01.119P	Gasket hot air heat exchanger/interior cabinet	1
3	74.01.118P	Mating flange heat exchanger	2
4	10.01.065P	Hex nut M5	12
6	50.02.004P	Nozzle f. moistening	1
7	50.02.005P	Union nut	1
8	50.02.006P	Plastic pipe PEEK	1
10	87.01.655S	Burner hot air	1
12	74.00.296P	Gasket f. heat exchanger below	1

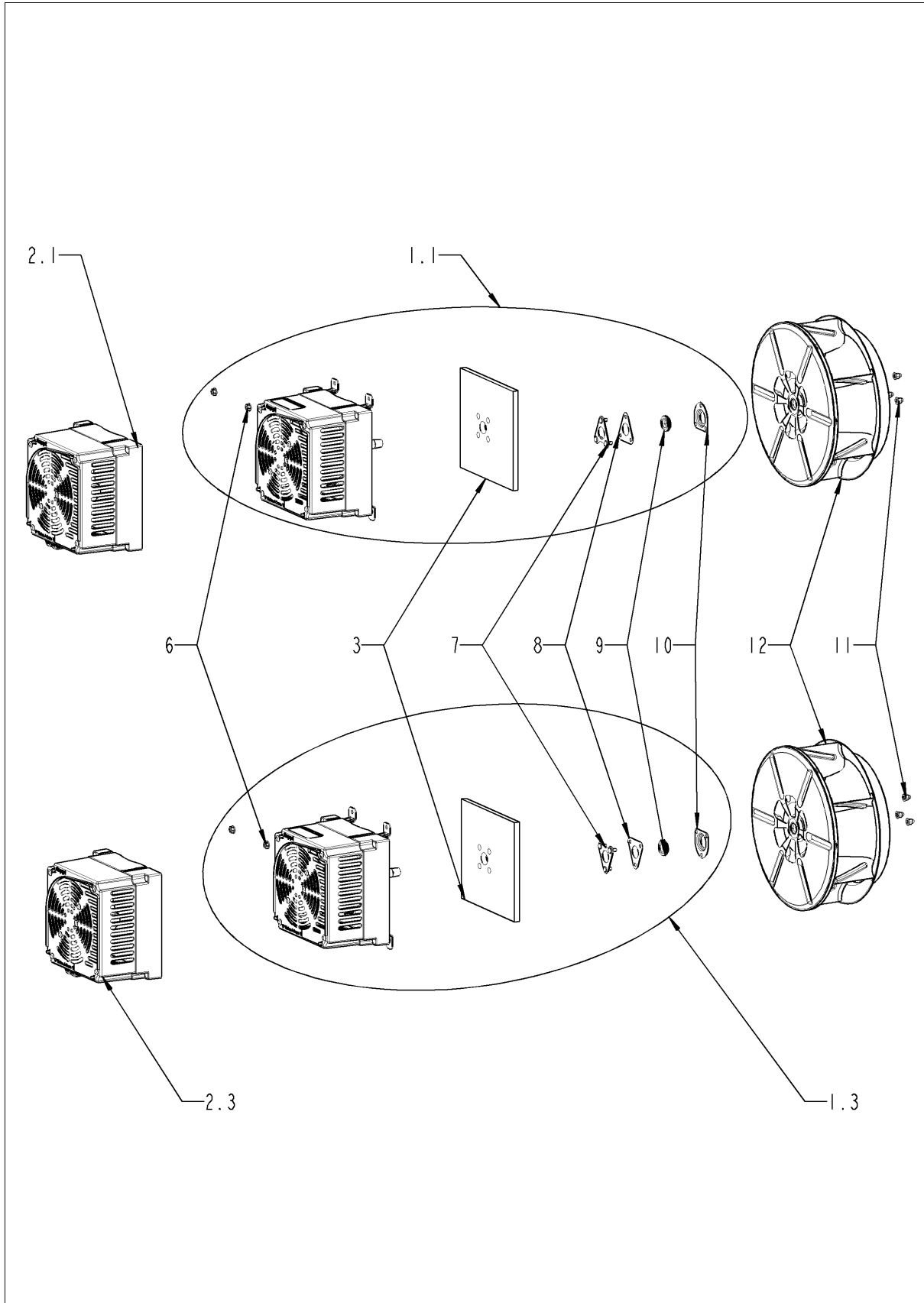
Burner hot air



Burner hot air

Pos.	Part no.	Description	Qty.
1	70.01.247S	Ignitionelectrode, hot air 350mm	1
2	74.00.290P	Gasket electrode hot air	1
3	10.00.696P	Allen screw M4x6 w. Precoat 85	4
4	74.01.039P	Earth electrode, hot air	1
5	74.00.913P	L- insulator for ignition electrode, hot air	1

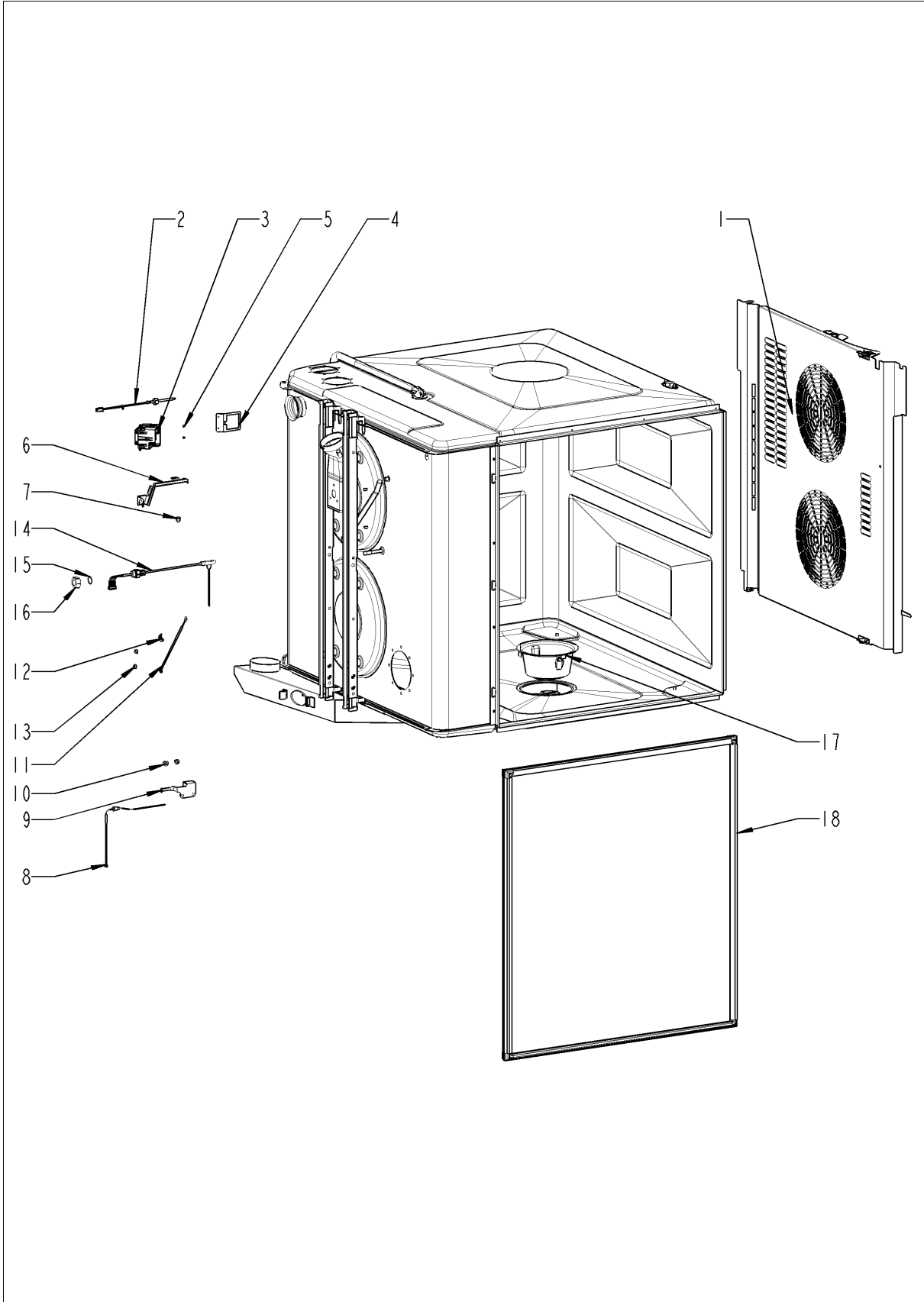
Motor and fan wheel



Motor and fan wheel

Pos.	Part no.	Description	Qty.
1.1	87.01.559S	Fan motor	1
1.3	87.01.559S	Fan motor	1
2.1	42.00.278P	Motor control for fan motor	1
2.3	42.00.278P	Motor control for fan motor	1
3	20.02.807P	Isolation for mounting plate for motor	2
6	10.00.709P	Hex nut M6 w. locking	8
7	22.01.423P	Mounting support f. gasket flange	2
8	22.01.425P	Graphit seal for gasket flange	2
9	22.00.985P	Motor shaft gasket D15	2
10	22.01.427P	Flange f. motor shaft gasket	2
11	10.01.076P	Cap nut M5*A2	6
12	22.01.164S	Fan wheel	2
13	1308.0162P	Washer A8,4	2
14	10.00.936P	Hex screw M8x20	2

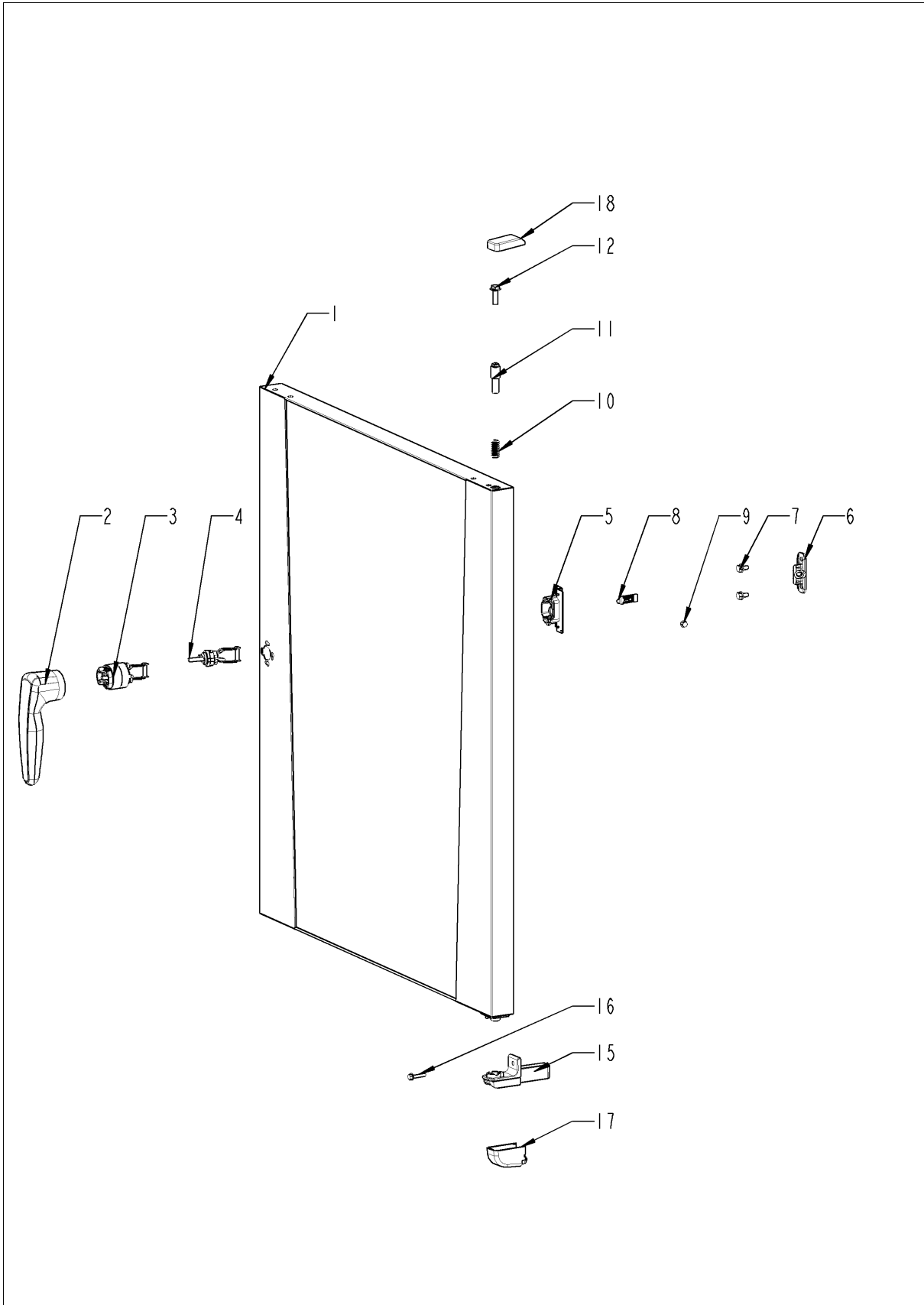
Interior cabinet



Interior cabinet

Pos.	Part no.	Description	Qty.
1	22.01.154P	Air baffle	1
2	40.06.112P	Temperature sensor eSTB	1
3	40.06.684P	Safety temperature limiter	1
4	40.06.053P	Fixing device for safety temperature limiter	1
5	10.00.515P	Rivet 3,2x6.8 A2/NSF	2
6	40.06.098P	Screen for safety temperature limiter	1
7	10.01.076P	Cap nut M5*A2	1
8	40.06.593P	Thermocouple interior cabinet B1	1
9	40.05.489P	Screen interior cabinet sensor	1
10	10.01.076P	Cap nut M5*A2	2
11	40.06.212S	Thermocouple humidity *B4*	1
12	10.00.087P	Clamp strap f. sensor	1
13	10.01.065P	Hex nut M5	1
14	40.06.808P	Meat probe sensor	1
15	1315.0104P	Copper washer 16x20x1,5	1
16	10.01.751P	Hex nut M16 DIN934 A2	1
17	56.01.503P	Outlet sieve	1
18	20.02.553P	Door gasket	1

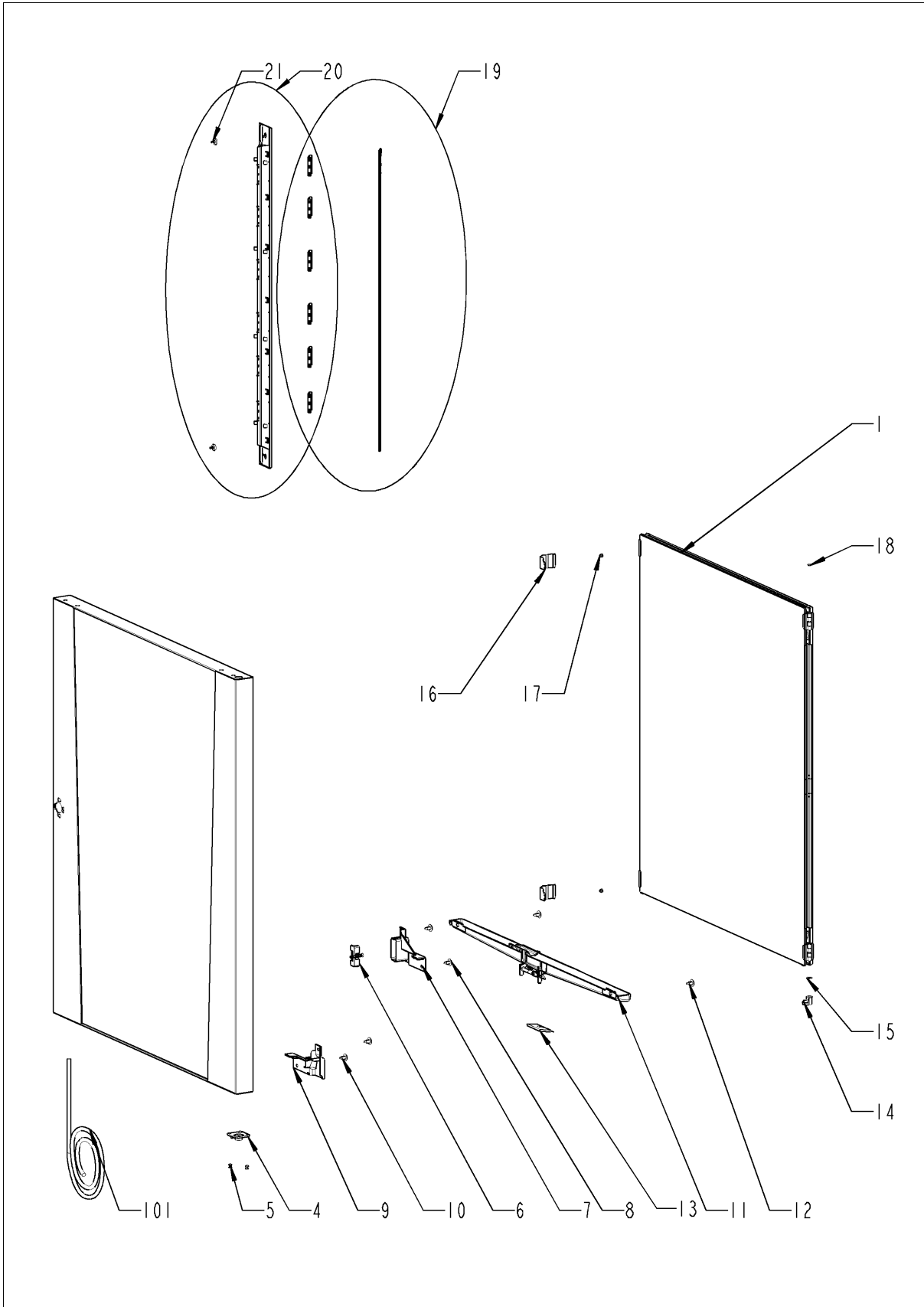
Door



Door

Pos.	Part no.	Description	Qty.
1	24.04.098S	Door	1
2	24.04.083P	Door handle RATIONAL	1
3	24.03.041P	Door lock with spring U-bolt	1
5	24.04.211P	Lock cover	1
6	24.02.958P	Holding bracket f. door catch	1
7	10.01.719P	Hex screw M6x12	2
8	24.02.959P	Door catch	1
9	24.02.960P	Interlocking tooth screw M5x6	1
10	2001.0109P	Compression spring	1
11	24.03.040P	Door bolt	1
12	1008.0768P	Ornamental screw M8x16	1
15	14.01.056P	Door mounting support bottom	1
16	10.01.755P	Countersunk screw M5x20 A2	1
17	56.01.245P	Cap for door mounting support bottom	1
18	16.04.110P	Cover for door mounting support	1

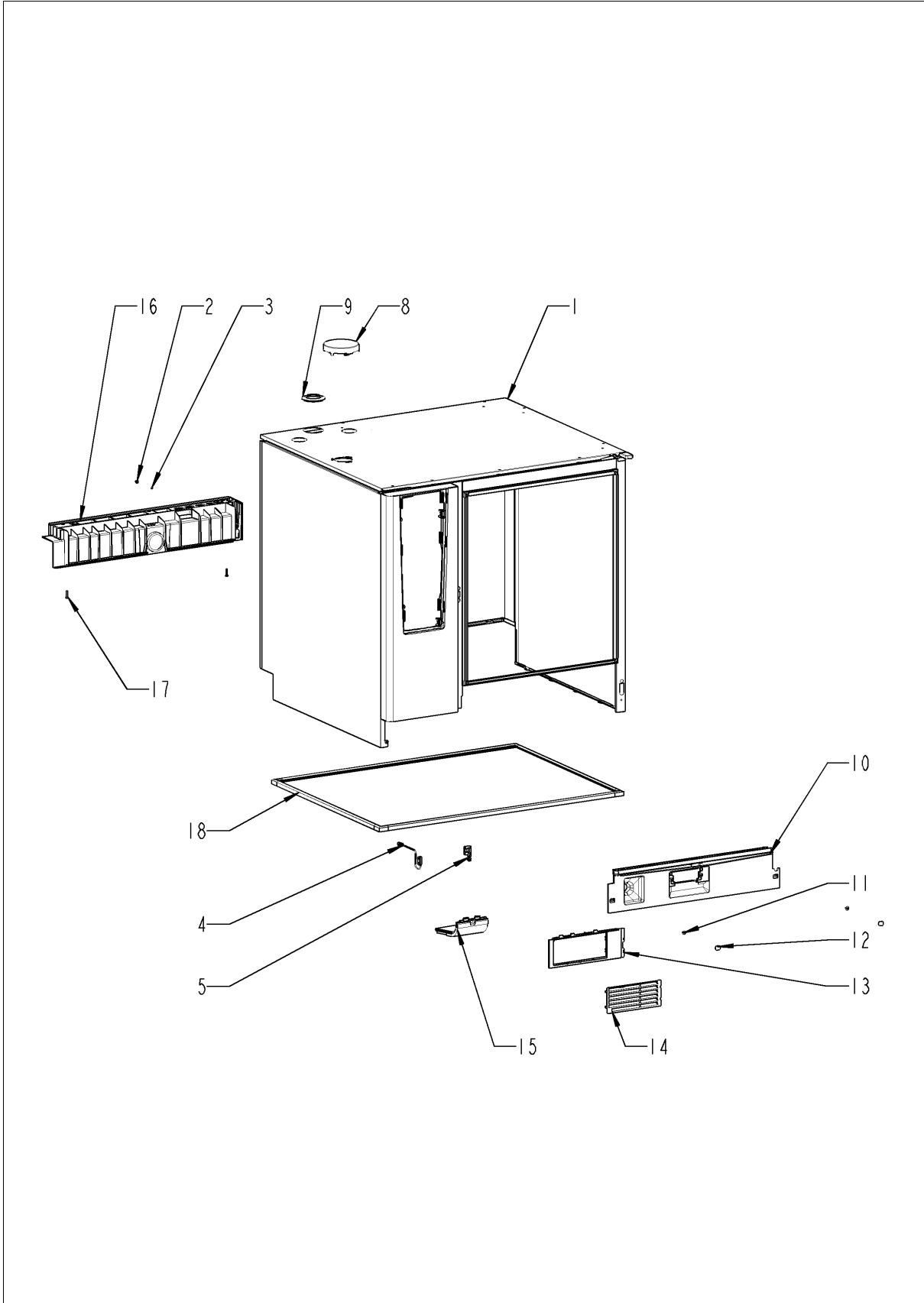
Door



Door

Pos.	Part no.	Description	Qty.
1	24.04.898S	Glass pane bundle	1
4	24.04.217P	Door setting bolt	1
5	10.00.904P	Rivet B4x8	2
6	24.04.619P	Fixing device f. magnet with magnet	1
7	24.04.598S	Cover for door magnet	1
8	10.00.989P	Rivet with screw	2
9	24.05.303S	Hinge cover	1
10	10.00.989P	Rivet with screw	2
11	24.05.383P	Door drip collector	1
12	10.00.989P	Rivet with screw	2
13	24.05.345P	Drain seal for door drip collector	1
14	24.03.056P	Slide bush for door	1
15	24.03.057P	Abrasion protection for glide socket	1
16	24.03.787S	Fixing bracket kit for interior glass pane	2
17	1604.0161P	Rivet 4x6 CNS	1
18	24.03.062P	Cover cap for door	1
19	87.01.581S	LED bar	2
20	87.01.582S	LED optics	2
21	24.05.458P	Plastic spreader rivet	4
22	24.03.764P	Spacer for door	1
101	40.06.079P	Cable, interior light W40 *door lighting*	1

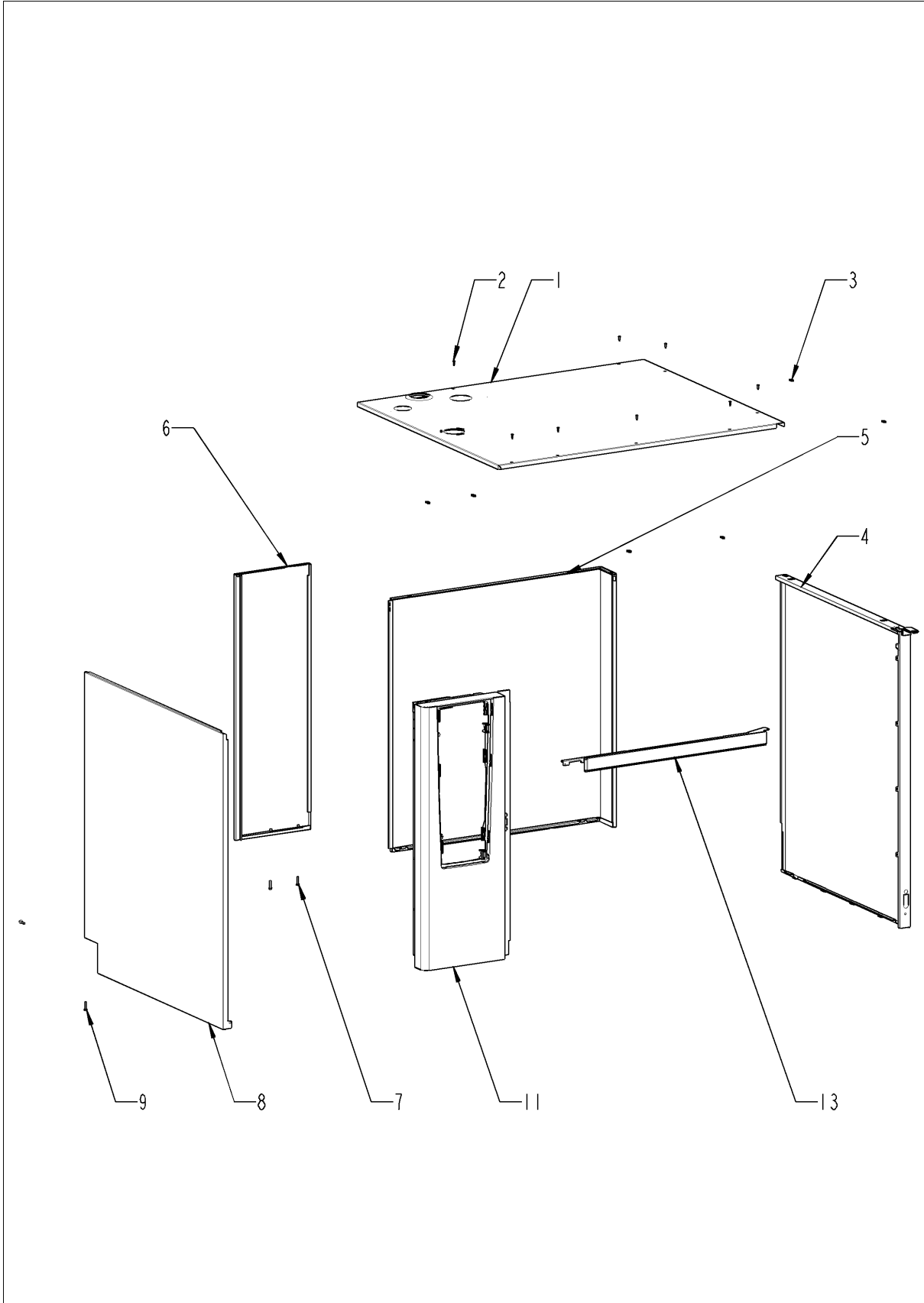
Exterior cabinet



Exterior cabinet

Pos.	Part no.	Description	Qty.
1		Exterior cabinet	1
2	10.01.076P	Cap nut M5*A2	1
3	1205.0120P	Tooth lock washer A5,3	1
4	40.06.664P	Door switch	1
5	14.00.937P	Bracket for door contact switch	1
8	22.01.409P	Vent cover	1
9	16.01.434P	Gasket f. breather tube d=73mm	1
10	56.01.425P	Base panel right	1
11	10.00.989P	Rivet with screw	4
12	56.01.419P	Plastic cap	2
13	56.01.424P	Base panel left	1
14	56.01.422P	Grid cover	1
15	40.05.424P	Air inlet filter cpl.	1
16	56.01.523P	Waste water cover	1
17	10.01.755P	Countersunk screw M5x20 A2	3
18	12.02.665P	Gasket for base frame	1

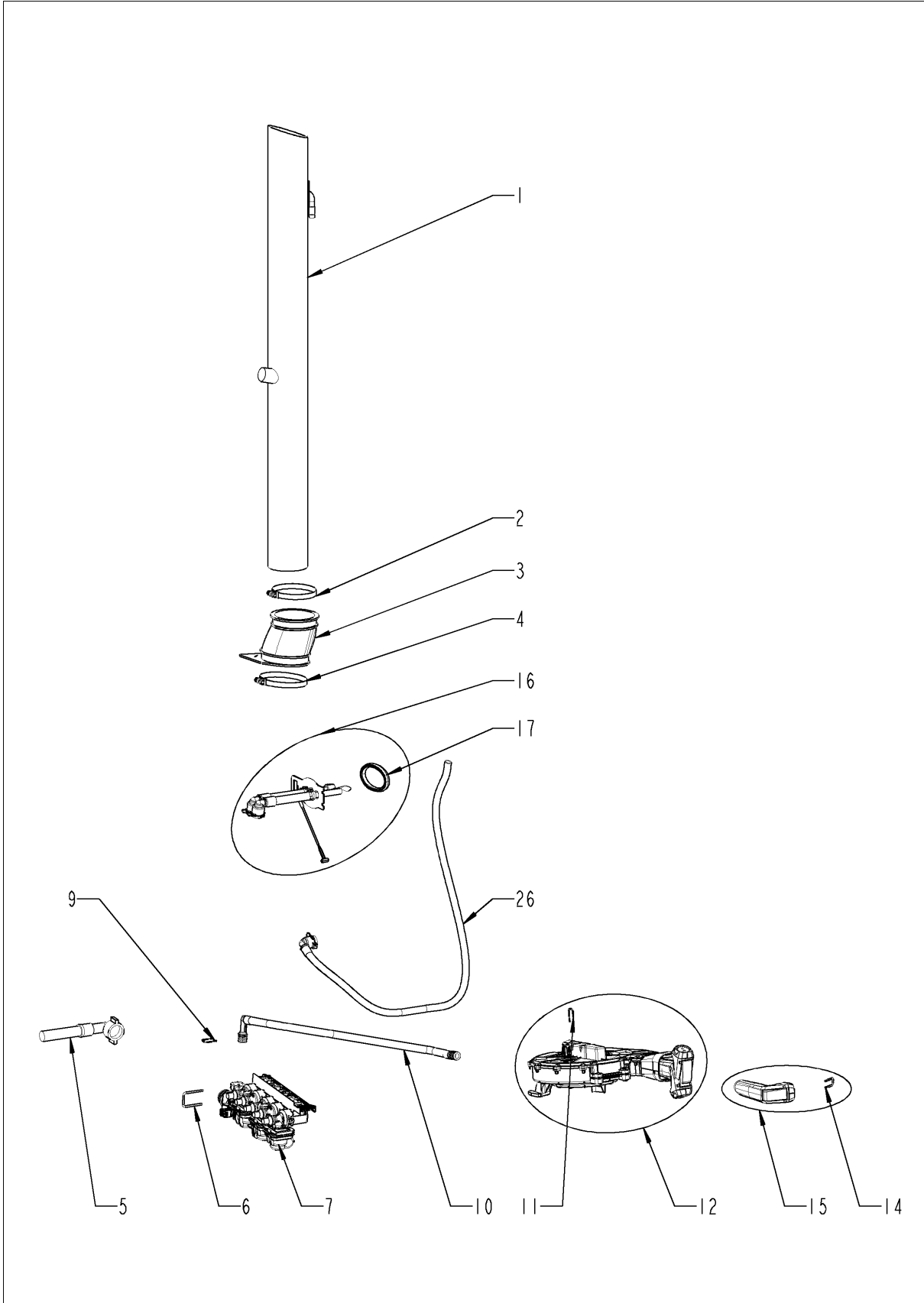
Exterior cabinet



Exterior cabinet

Pos.	Part no.	Description	Qty.
1	16.03.420P	Top cover	1
2	1003.2265P	Countersunk self tapping screw 4,2x16	8
3	1104.0820P	Snap nut 4,2mm	8
4	16.04.079P	Side panel right	1
5	16.04.087P	Back panel, right	1
6	16.03.394P	Back panel, left	1
7	10.01.755P	Countersunk screw M5x20 A2	2
8	16.03.419P	Side panel left	1
9	10.01.755P	Countersunk screw M5x20 A2	2
11	16.03.637P	Front panel	1
13	16.04.093P	Crossbar top	1

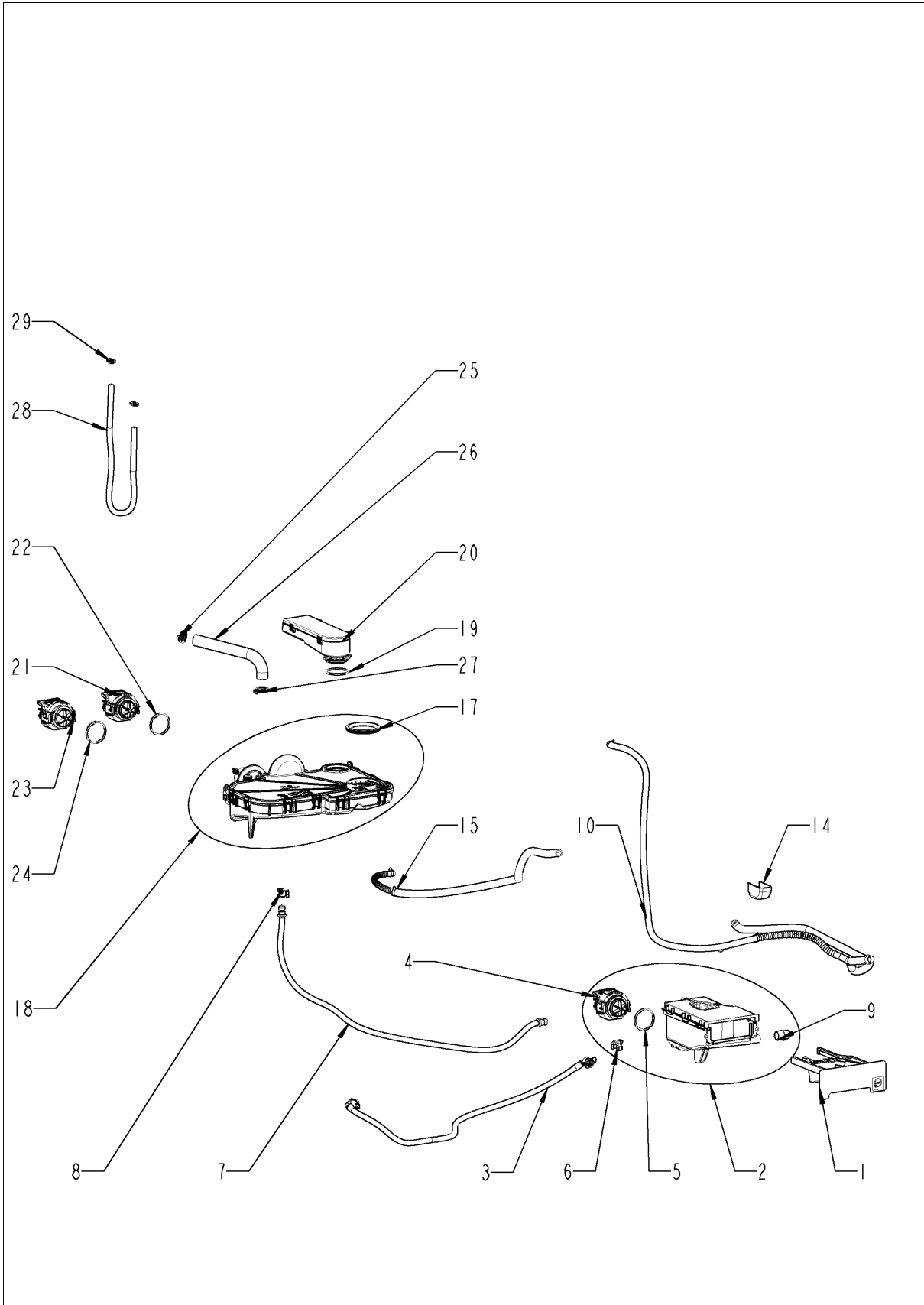
Water



Water

Pos.	Part no.	Description	Qty.
1	54.01.928P	Ventilation pipe	1
2	10.01.262P	Hose clamp 76 mm	1
3	54.01.729S	Rubber form piece venting pipe	1
4	10.01.686P	Hose clamp Ø82mm	1
5	2067.0709P	Hose for water supply 2500mm	1
6	50.02.112P	Locking plate f. water distribution	1
7	50.02.054P	Solenoid valve fivefold	1
9	50.00.085P	Plug-in spring f. hand shower roll guide	1
10	52.00.106S	Connect. hose f. hand shower roll guide	1
11	50.00.085P	Plug-in spring f. hand shower roll guide	1
12	52.00.096P	Hand shower roll guide	1
14	50.00.156P	Clamp f. hand shower roll guide	1
15	52.00.127S	Hand shower black	1
16	54.01.863S	Inspection lid, B2	1
17	54.01.168P	Gasket f. inspection lid	1
26	50.02.146P	Supply hose for moistening	1

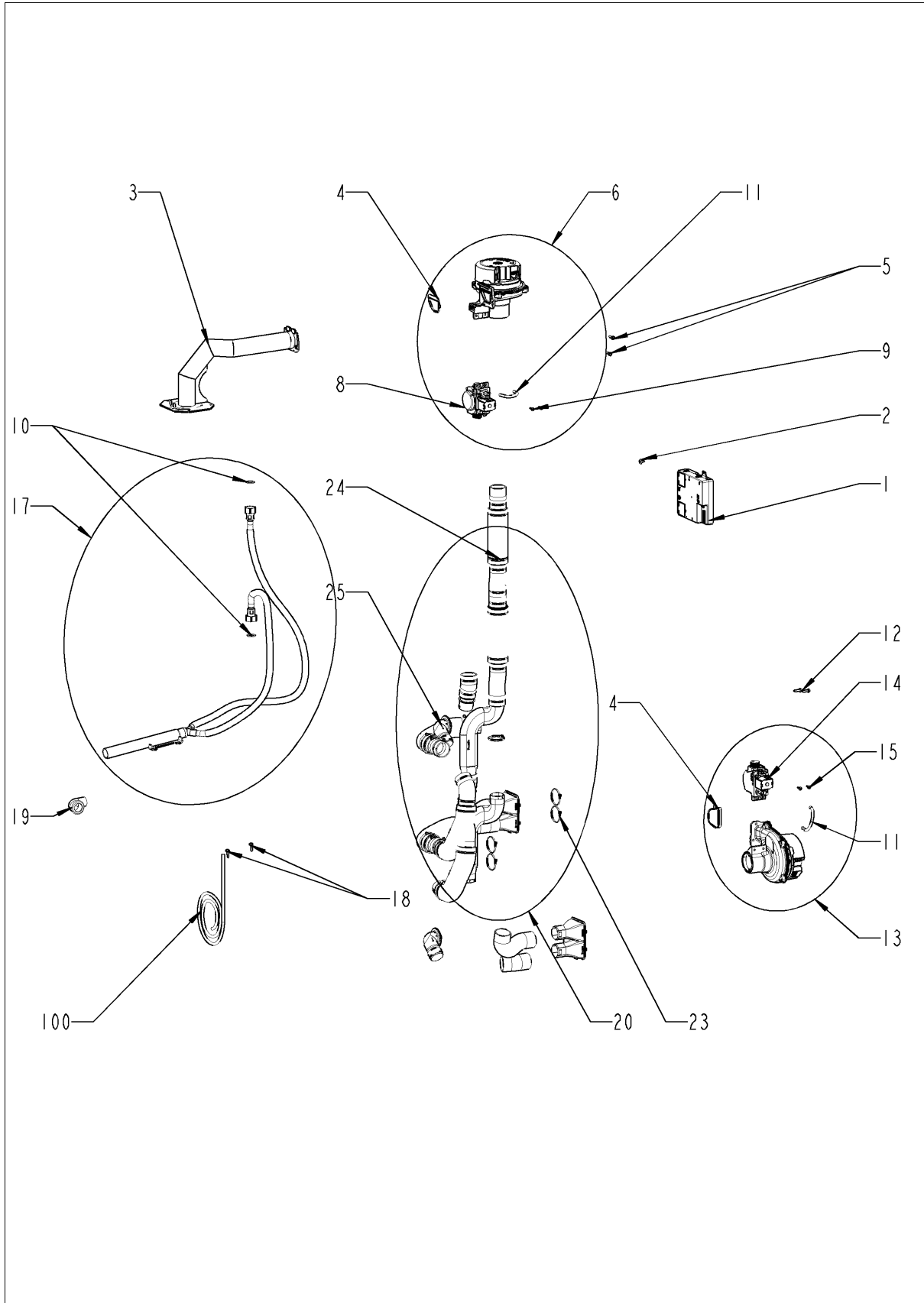
CleanJet + Care



CleanJet + Care

Pos.	Part no.	Description	Qty.
1	56.00.952P	Drawer Care container	1
2	56.01.466P	Care container with pump	1
3	50.02.133P	Supply hose for "Care box"	1
4	56.01.028P	Pump f. CareControl	1
5	56.01.631P	O-ring for pump	1
6	10.01.703P	Locking ring 16 mm	1
7	56.01.510S	Care hose	1
8	10.01.703P	Locking ring 16 mm	1
9	56.00.752P	Hose fitting EPDM-70ShA	1
10	56.01.519P	Drain hose set, humidity control, unit drip collector	1
14	56.01.245P	Cap for door mounting support bottom	1
15	56.01.471S	Drain hose	1
16	10.00.982P	Hose clamp D=18.2	1
17	56.01.461P	Gasket DN60	1
18	56.01.486P	Cleaning box	1
19	56.01.481P	O Ring emergency overflow	1
20	56.01.454S	Emergency overflow cleaning box	1
21	56.01.017P	Waste water pump Cleaning box	1
22	56.01.631P	O-ring for pump	1
23	56.01.020P	Pump f. cleaning	1
24	56.01.631P	O-ring for pump	1
25	2066.0521P	Hose clamp 27mm	1
26	56.01.677P	CleanJet hose	1
27	2066.0521P	Hose clamp 27mm	1
28	56.01.627S	Silicone hose with hose clamps	1
29	10.01.994P	Hose clamp 15.88 mm	2

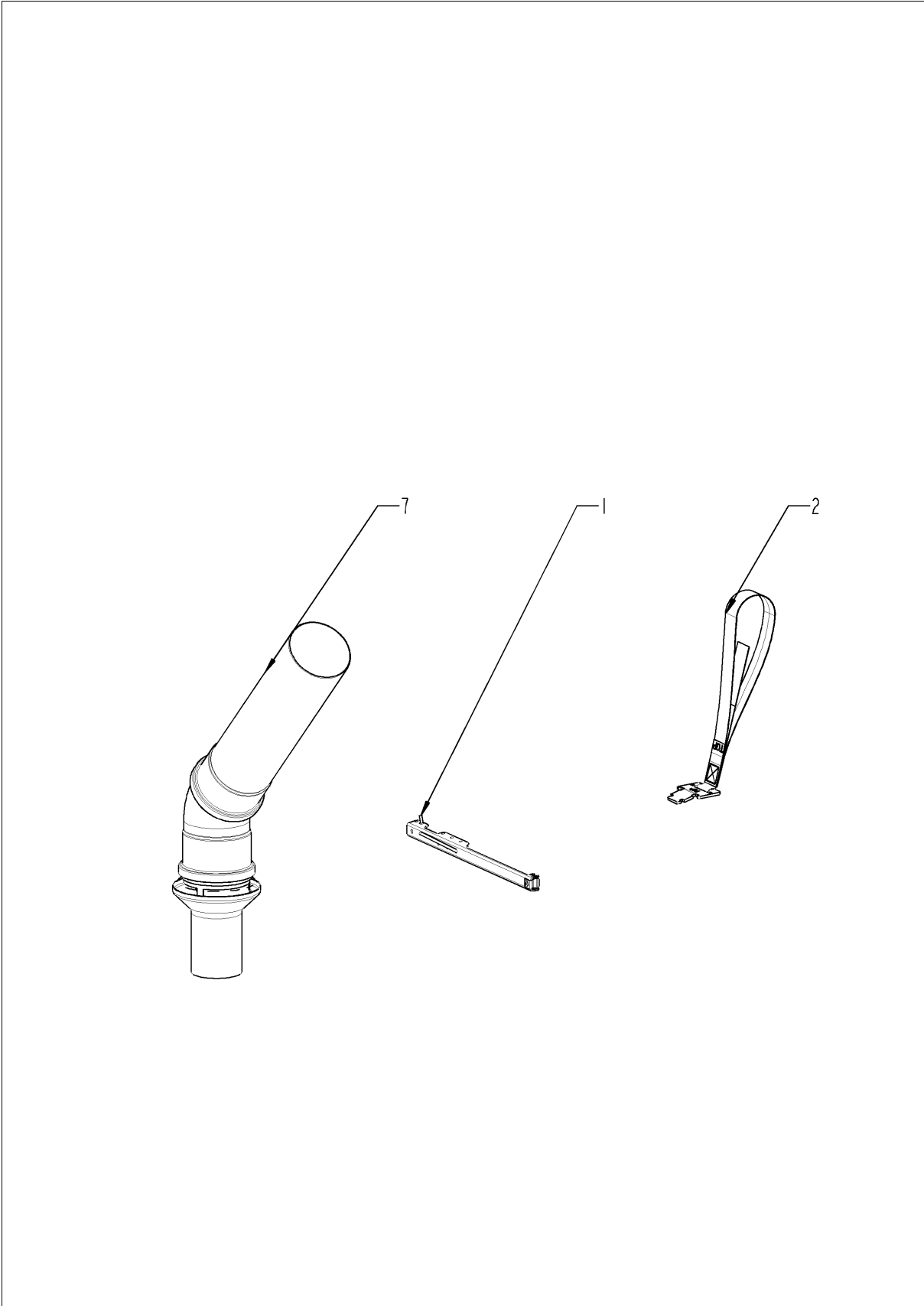
Gas parts



Gas parts

Pos.	Part no.	Description	Qty.
1	70.01.205S	Automatic ignition controller	1
2	10.00.989P	Rivet with screw	1
3	70.01.070P	Burner pipe	1
4	70.01.148P	Gasket f. blower burner	2
5	10.01.747P	Hex screw M5x19 Torx T20	2
6	70.01.200P	Gas blower / gas valve kit	1
8	87.01.644S	Gas valve E01	1
9	10.01.902P	Slotted head screw M5X16 T25	2
10	70.01.622P	Gasket corrugated hose	2
11	70.01.268P	Connection compensation tube	1
12	10.01.747P	Hex screw M5x19 Torx T20	2
13	70.01.198P	Gas blower / gas valve kit	1
14	87.01.644S	Gas valve E01	1
15	10.01.902P	Slotted head screw M5X16 T25	2
17	70.01.608P	Gas connection manifold	1
18	10.01.892P	Hex screw M5x20 Torx T20	1
19	70.00.188P	Hose fitting 3/4"-3/4"	1
20	70.01.329P	Air supply, hot air	1
24	70.01.167P	Air hose adapter straight DN40	1
25	70.01.166P	Air hose adapter 90° DN50	1
100	87.01.738S	Wire set earth - ignition electrode	1

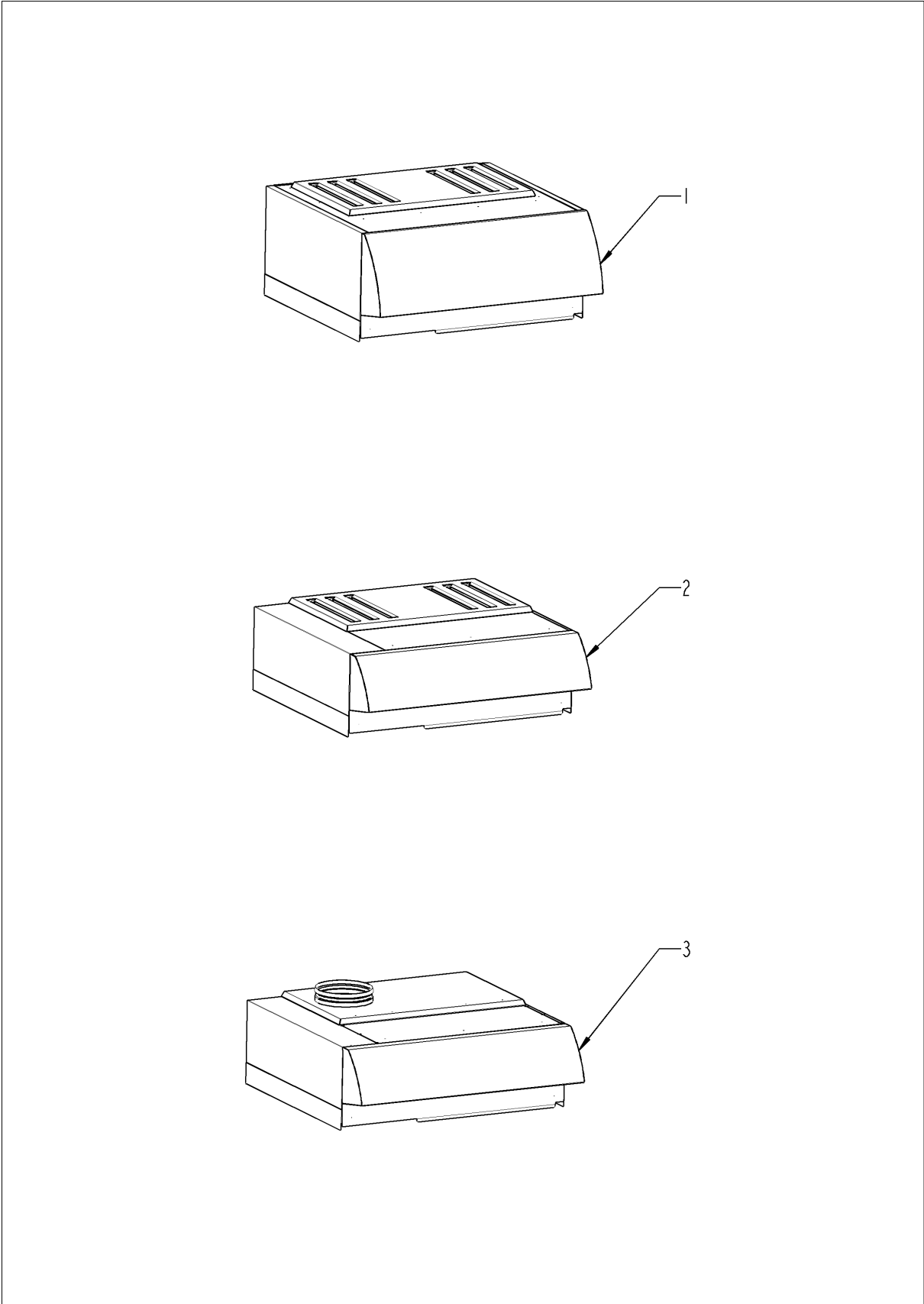
Standard accessory



Standard accessory

Pos.	Part no.	Description	Qty.
1	60.71.022P	Positioning support f. core sensor	1
2	91.01.135P	Carrying strap	1
7	60.72.592	Condensation breaker	1
8		Exhaust hood	1

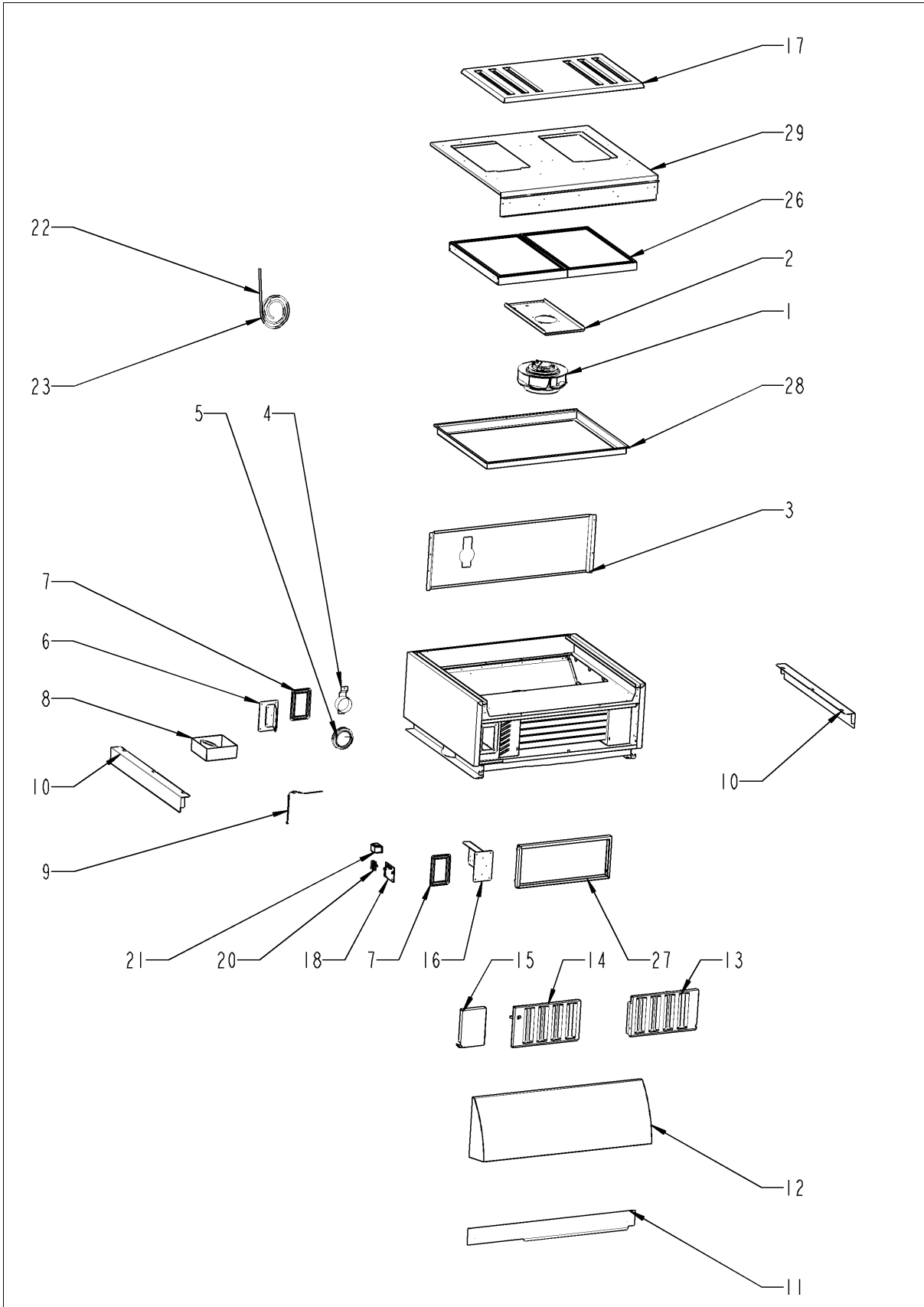
Exhaust hood



Exhaust hood

Pos.	Part no.	Description	Qty.
1		UltraVent Plus	1
2		UltraVent	1
3		Extractor hood	1

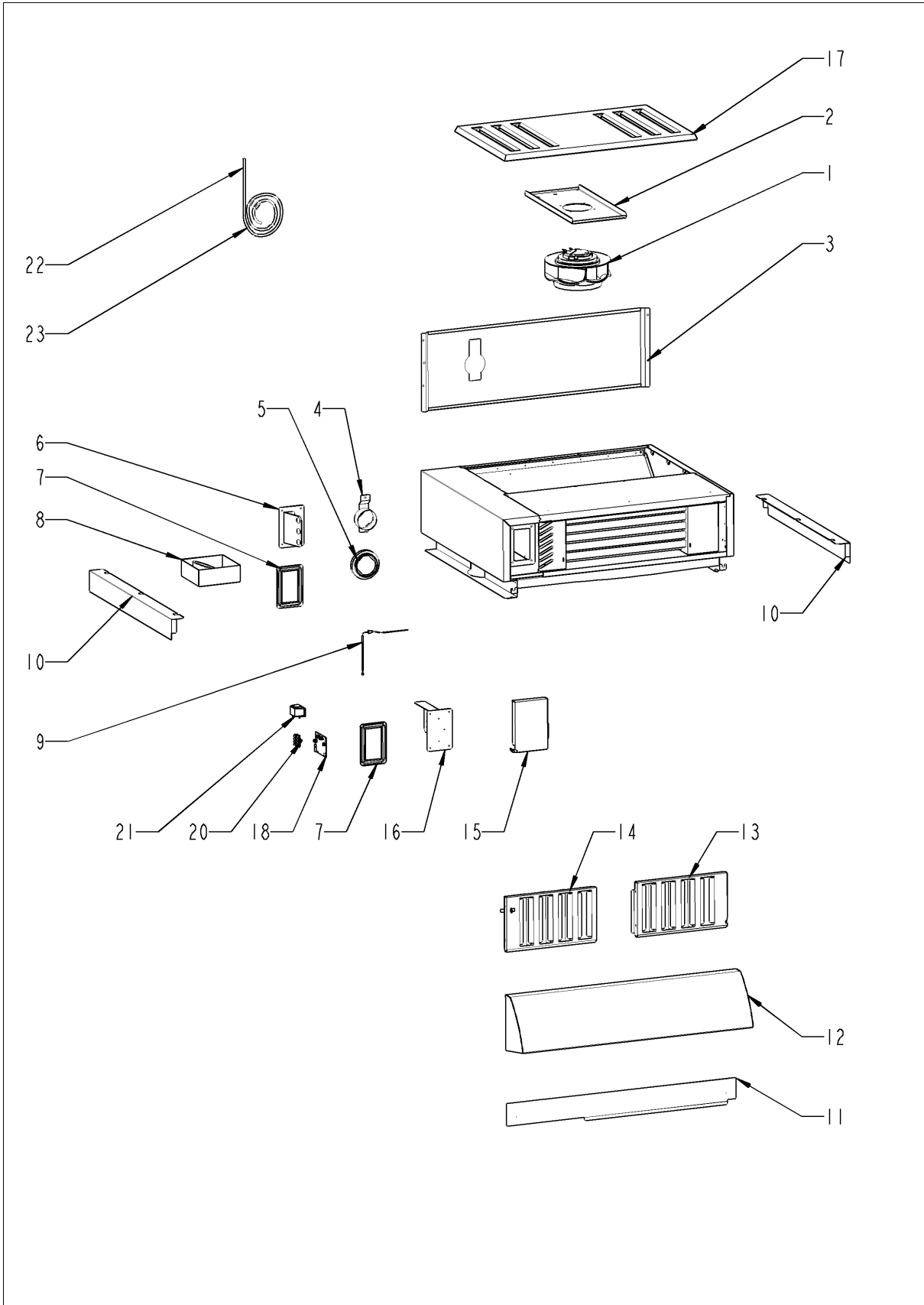
UltraVent Plus



UltraVent Plus

Pos.	Part no.	Description	Qty.
1	60.74.890S	Blower motor for Ultravent	1
1	60.74.889S	Blower motor for Ultravent	1
2	60.75.179S	Motor mounting plate	1
3	60.75.218S	Heat protection plate	1
4	60.75.215S	Closure Combi-Duo 70mm	1
5	60.75.156P	Gasket 70mm	1
6	60.75.171S	Electrical box cover back	1
7	60.75.212P	Electrical box seal	1
8	60.75.160P	Condensate collector 70mm	1
9	40.05.995P	Thermocouple	1
10	60.75.174P	side panels	1
11	60.75.177S	Front panel	1
12	60.75.199S	Front hood	1
13	60.76.456P	Baffle plate filter right	1
14	60.75.201P	Baffle plate filter left	1
15	60.75.209P	Electrical box cover	1
16	60.75.175S	Electric box cover front	1
17	60.76.572S	IPX5 Coverage	1
18	42.00.308S	Control pcb	1
19	60.76.574P	spacer CPU	1
20	60.76.447S	Connection terminal	1
21	60.76.448S	power chokes	1
21	60.76.449P	Capacitors	1
22	40.06.597P	Bus cable	1
24	87.01.781S	Thermocouple	1
26	60.75.210P	HEPA filtert two-pack	1
27	60.75.214P	Prefilter metal mesh	1
28	60.76.528S	Pressure frame HEPA filtert	1
29	60.76.571S	filter cassette clp.	1
30	42.00.309S	Adapter pcb f. UVP	1
31	60.75.211P	Hose set Filter detection	1

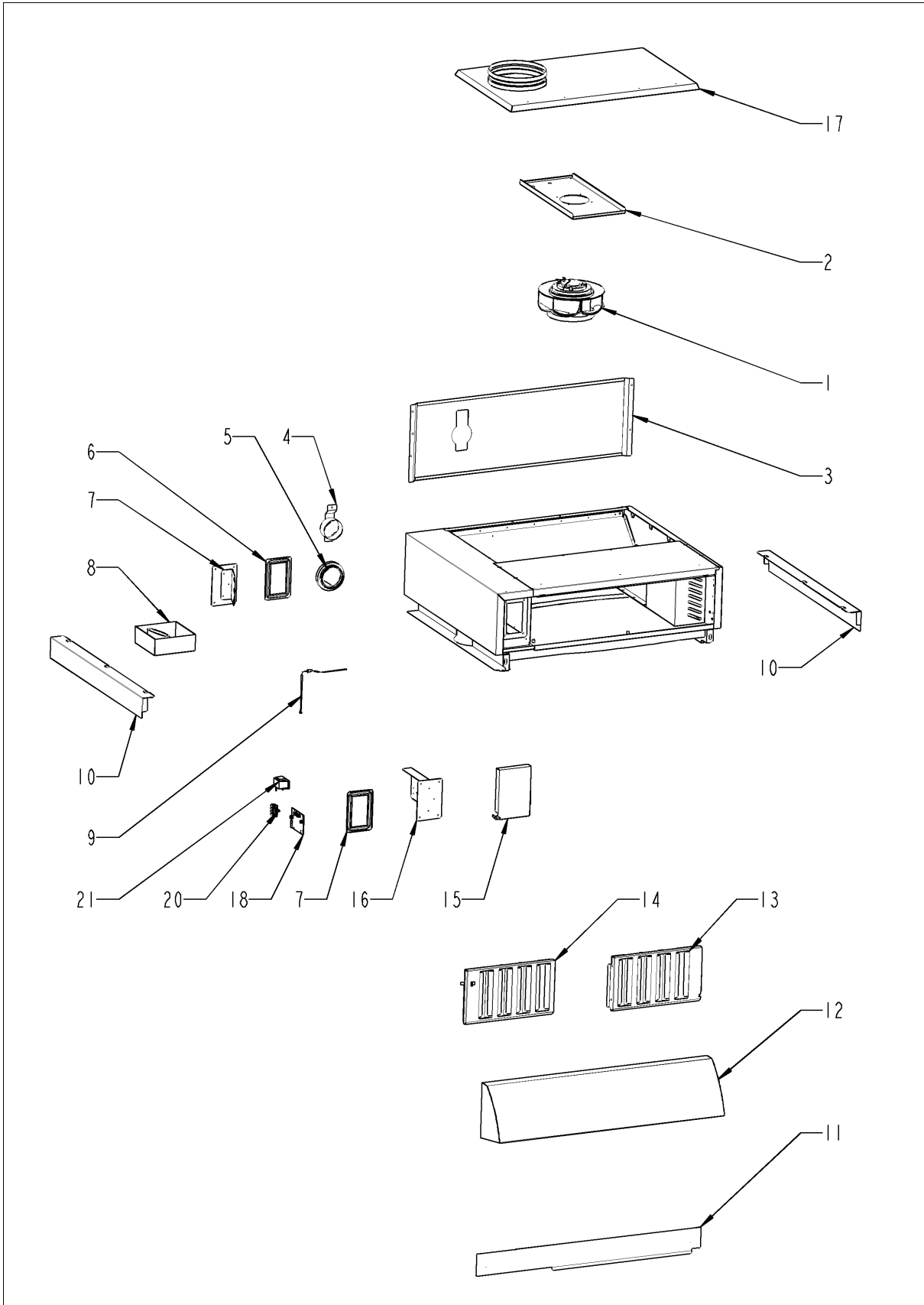
UltraVent



UltraVent

Pos.	Part no.	Description	Qty.
1	60.74.890S	Blower motor for Ultravent	1
1	60.74.889S	Blower motor for Ultravent	1
2	60.75.179S	Motor mounting plate	1
3	60.75.218S	Heat protection plate	1
4	60.75.215S	Closure Combi-Duo 70mm	1
5	60.75.156P	Gasket 70mm	1
6	60.75.171S	Electrical box cover back	1
7	60.75.212P	Electrical box seal	1
8	60.75.160P	Condensate collector 70mm	1
9	40.05.995P	Thermocouple	1
10	60.75.174P	side panels	1
11	60.75.177S	Front panel	1
12	60.75.195S	Front hood	1
13	60.76.456P	Baffle plate filter right	1
14	60.75.201P	Baffle plate filter left	1
15	60.75.209P	Electrical box cover	1
16	60.75.175S	Electric box cover front	1
17	60.76.534S	IPX5 Coverage	1
18	42.00.308S	Control pcb	1
19	60.76.574P	spacer CPU	1
20	60.76.447S	Connection terminal	1
21	60.76.448S	power chokes	1
21	60.76.449P	Capacitors	1
22	40.06.597P	Bus cable	1
24	87.01.781S	Thermocouple	1

Extractor hood



Extractor hood

Pos.	Part no.	Description	Qty.
1	60.74.889S	Blower motor for Ultravent	1
1	60.74.890S	Blower motor for Ultravent	1
2	60.75.179S	Motor mounting plate	1
3	60.75.218S	Heat protection plate	1
4	60.75.212P	Electrical box seal	1
5	60.75.156P	Gasket 70mm	1
6	60.75.171S	Electrical box cover back	1
7	60.75.212P	Electrical box seal	1
8	60.75.160P	Condensate collector 70mm	1
9	40.05.995P	Thermocouple	1
10	60.75.174P	side panels	1
11	60.75.177S	Front panel	1
12	60.75.195S	Front hood	1
13	60.76.456P	Baffle plate filter right	1
14	60.75.201P	Baffle plate filter left	1
15	60.75.209P	Electrical box cover	1
16	60.75.175S	Electric box cover front	1
17	60.76.546S	Exhaust air plate	1
18	42.00.308S	Control pcb	1
19	60.76.574P	spacer CPU	1
20	60.76.447S	Connection terminal	1
21	60.76.448S	power chokes	1
21	60.76.449P	Capacitors	1
22	40.06.597P	Bus cable	1
24	87.01.781S	Thermocouple	1

Index

Part no.	Description	Page
24.03.057P	Abrasion protection for glide socket	27
42.00.309S	Adapter pcb f. UVP	43
22.01.154P	Air baffle	23
70.01.166P	Air hose adapter 90° DN50	37
70.01.167P	Air hose adapter straight DN40	37
40.05.424P	Air inlet filter cpl.	11, 29
87.01.553S	Air inlet pipe	13
40.06.566P	Air shaft cpl.	7
70.01.329P	Air supply, hot air	37
10.00.696P	Allen screw M4x6 w. Precoat 85	19
70.01.205S	Automatic ignition controller	37
16.03.394P	Back panel, left	31
16.04.087P	Back panel, right	31
60.75.201P	Baffle plate filter left	43, 45, 47
60.76.456P	Baffle plate filter right	43, 45, 47
56.01.424P	Base panel left	29
56.01.425P	Base panel right	29
60.74.890S	Blower motor for Ultravent	43, 45, 47
60.74.889S	Blower motor for Ultravent	43, 45, 47
14.00.937P	Bracket for door contact switch	29
87.01.655S	Burner hot air	17
70.01.070P	Burner pipe	37
70.01.278S	Burner steam gen. kit	15
40.06.597P	Bus cable	43, 45, 47
40.05.858P	Bus cable 1.08m	7
40.07.146P	Bus cable 1.35m	7
40.07.148P	Bus cable 1.73m	7
40.06.777S	Cable bushing f. cable entry	7
40.00.320P	Cable connection M20x1.5	7
40.04.495P	Cable connection M25 ø5mm *divisible*	7
40.06.065P	Cable control harness	7
40.06.760P	Cable control pcb - capacitive switch	5

Index

Part no.	Description	Page
40.06.569P	Cable CPU - TFT	5
87.01.620S	Cable entry	7
40.06.624P	Cable harness base	7
40.06.323P	Cable harness isolating transformer	7
40.06.878P	Cable holder	7
40.06.079P	Cable, interior light W40 *door lighting*	27
56.01.245P	Cap for door mounting support bottom	25, 35
10.01.076P	Cap nut M5*A2	21, 23, 29
60.76.449P	Capacitors	43, 45, 47
56.01.466P	Care container with pump	35
56.01.510S	Care hose	35
91.01.135P	Carrying strap	39
50.00.156P	Clamp f. hand shower roll guide	33
10.00.087P	Clamp strap f. sensor	23
56.01.486P	Cleaning box	35
56.01.677P	CleanJet hose	35
60.75.215S	Closure Combi-Duo 70mm	43, 45
2001.0109P	Compression spring	25
60.75.160P	Condensate collector 70mm	43, 45, 47
60.72.592	Condensation breaker	39
52.00.106S	Connect. hose f. hand shower roll guide	33
70.01.268P	Connection compensation tube	37
60.76.447S	Connection terminal	43, 45, 47
87.01.535S	Control panel insert *RAT*	5
42.00.308S	Control pcb	43, 45, 47
42.00.335P	Control pcb without WiFi (w/o SD-Card)	5
40.05.993P	Cooling fan	7
1315.0104P	Copper washer 16x20x1,5	23
10.01.755P	Countersunk screw M5x20 A2	25, 29, 31
1003.2265P	Countersunk self tapping screw 4,2x16	31
24.03.062P	Cover cap for door	27
16.03.735P	Cover f. control pcb w. gasket	5

Index

Part no.	Description	Page
24.04.598S	Cover for door magnet	27
16.04.110P	Cover for door mounting support	25
16.04.093P	Crossbar top	31
16.03.756P	Dial f. pulse generator	5
24.04.098S	Door	25
24.03.040P	Door bolt	25
24.02.959P	Door catch	25
24.05.383P	Door drip collector	27
20.02.553P	Door gasket	23
24.04.083P	Door handle RATIONAL	25
24.03.041P	Door lock with spring U-bolt	25
14.01.056P	Door mounting support bottom	25
24.04.217P	Door setting bolt	27
40.06.664P	Door switch	29
56.01.471S	Drain hose	35
56.01.519P	Drain hose set, humidity control, unit drip collector	13, 35
44.02.751S	Drain hose steam generator	15
44.02.229P	Drain hose steam generator	15
24.05.345P	Drain seal for door drip collector	27
56.00.952P	Drawer Care container	35
74.01.039P	Earth electrode, hot air	19
60.75.175S	Electric box cover front	43, 45, 47
60.75.209P	Electrical box cover	43, 45, 47
60.75.171S	Electrical box cover back	43, 45, 47
60.75.212P	Electrical box seal	43, 45, 47
40.06.385P	Electrical mounting plate	9
42.00.286P	Electronic noise filter	9
44.02.287P	Emergency drainage hose	15
56.01.454S	Emergency overflow cleaning box	35
56.01.024P	Emptying pump	15
60.76.546S	Exhaust air plate	47
87.01.559S	Fan motor	21

Index

Part no.	Description	Page
22.01.164S	Fan wheel	21
60.76.571S	filter cassette clp.	43
24.03.787S	Fixing bracket kit for interior glass pane	27
40.03.756P	Fixing clip f. pcb	9
24.04.619P	Fixing device f. magnet with magnet	27
40.06.053P	Fixing device for safety temperature limiter	23
16.03.747P	Fixing display / pcb	5
72.00.505P	Fixing plate steam generator thermostat	15
22.01.427P	Flange f. motor shaft gasket	21
60.75.199S	Front hood	43
60.75.195S	Front hood	45, 47
16.03.637P	Front panel	31
60.75.177S	Front panel	43, 45, 47
40.06.767P	Fuse 4A *Typ 5HT 4-R*	9
3019.0125P	Fuse 5x20mm	7
4001.0224P	Fuse 6.35x32mm 6.3A	9
4001.1295P	Fuse holder e 1003Si/1DS	9
70.01.200P	Gas blower / gas valve kit	37
70.01.198P	Gas blower / gas valve kit	37
70.01.608P	Gas connection manifold	37
87.01.644S	Gas valve E01	37
60.75.156P	Gasket 70mm	43, 45, 47
70.01.622P	Gasket corrugated hose	37
56.01.461P	Gasket DN60	35
74.00.290P	Gasket electrode hot air	19
70.01.148P	Gasket f. blower burner	37
16.01.434P	Gasket f. breather tube d=73mm	29
72.00.408P	Gasket f. burner carrier	15
74.00.296P	Gasket f. heat exchanger below	17
70.01.258P	Gasket f. ignition electrode	15
54.01.168P	Gasket f. inspection lid	33
12.02.665P	Gasket for base frame	29

Index

Part no.	Description	Page
74.01.119P	Gasket hot air heat exchanger/interior cabinet	17
44.02.200P	Gasket SC pump	15
24.04.898S	Glass pane bundle	27
22.01.425P	Graphit seal for gasket flange	21
56.01.422P	Grid cover	29
44.01.505P	Grommet Ø12x8,2	15
52.00.127S	Hand shower black	33
52.00.096P	Hand shower roll guide	33
60.75.218S	Heat protection plate	43, 45, 47
60.75.210P	HEPA filter two-pack	43
10.01.065P	Hex nut M5	15, 17, 23
10.00.709P	Hex nut M6 w. locking	9, 21
10.01.751P	Hex nut M16 DIN934 A2	23
10.01.747P	Hex screw M5x19 Torx T20	37
10.01.892P	Hex screw M5x20 Torx T20	37
10.01.719P	Hex screw M6x12	25
10.00.936P	Hex screw M8x20	21
10.01.208P	Hex screw M8x80 A2	7
24.05.303S	Hinge cover	27
24.02.958P	Holding bracket f. door catch	25
16.03.749P	Hook for parking position	5
2066.0205P	Hose clamp 8-16x9 mm SW 7mm	15
10.01.994P	Hose clamp 15.88 mm	35
2066.0521P	Hose clamp 27mm	35
2066.0518P	Hose clamp 30mm	15
10.01.262P	Hose clamp 76 mm	33
10.00.982P	Hose clamp D=18.2	35
2066.0527P	Hose clamp ø14mm	13
10.01.686P	Hose clamp Ø82mm	33
70.00.188P	Hose fitting 3/4"-3/4"	37
56.00.752P	Hose fitting EPDM-70ShA	35
2067.0709P	Hose for water supply 2500mm	33

Index

Part no.	Description	Page
22.00.525P	Hose set f. humidity control	13
60.75.211P	Hose set Filter detection	43
50.02.117P	Hose, water supply, steam generator	15
74.01.180S	Hot air heat exchanger	17
22.01.402P	Humidity control cpl.	13
70.01.250S	Ignition electrode kit for steam generator	15
70.01.247S	Ignitionelectrode, hot air 350mm	19
54.01.863S	Inspection lid, B2	33
72.00.077P	Insulation f. burner steam gen.	15
40.06.409P	Interface cable LAN 1.5m	5, 7
40.06.327P	Interface LAN IPX6	7
40.06.043P	Interface USB	7
24.02.960P	Interlocking tooth screw M5x6	25
40.05.919P	IO-module	9
60.76.572S	IPX5 Coverage	43
60.76.534S	IPX5 Coverage	45
20.02.807P	Isolation for mounting plate for motor	21
87.01.624S	Kit Steam generator insulated	15
74.00.913P	L- insulator for ignition electrode, hot air	19
87.01.581S	LED bar	27
87.01.582S	LED optics	27
24.04.211P	Lock cover	25
50.02.112P	Locking plate f. water distribution	33
10.01.703P	Locking ring 16 mm	35
10.01.707P	Locking ring 25mm	15
40.06.728P	Loudspeaker K 64 WPTR	11
74.01.118P	Mating flange heat exchanger	17
40.06.808P	Meat probe sensor	23
16.03.748P	Metal cramp f. panel insert	5
42.00.359P	Micro SD card	5
44.02.495S	Molded hose with level electrode	15
42.00.278P	Motor control for fan motor	21

Index

Part no.	Description	Page
60.75.179S	Motor mounting plate	43, 45, 47
22.00.985P	Motor shaft gasket D15	21
40.05.435P	Mounting device f. pressure sensor	13
22.01.423P	Mounting support f. gasket flange	21
40.04.953P	Mounting support for pump pcb	9
40.05.968P	Mounting support power transformer	7
50.02.004P	Nozzle f. moistening	17
56.01.481P	O Ring emergency overflow	35
10.01.694P	O-ring for humidity control	13
56.01.631P	O-ring for pump	35
42.00.287P	Operator pcb *TFT*	5
1008.0768P	Ornamental screw M8x16	25
56.01.503P	Outlet sieve	23
56.01.419P	Plastic cap	29
50.02.006P	Plastic pipe PEEK	17
24.05.458P	Plastic spreader rivet	27
50.00.085P	Plug-in spring f. hand shower roll guide	33
60.71.022P	Positioning support f. core sensor	39
60.76.448S	power chokes	43, 45, 47
40.06.756P	Power supply cable 3xAWG14 3m	7
40.06.005P	Power transformer	7
60.75.214P	Prefilter metal mesh	43
60.76.528S	Pressure frame HEPA filtert	43
3017.1011P	Pressure sensor Huba 401	13
40.06.037P	Pulse generator	5
56.01.028P	Pump f. CareControl	35
56.01.020P	Pump f. cleaning	35
40.06.625P	Pump harness	7
44.02.179S	Pump housing	15
42.00.273P	Pump pcb	9
10.00.515P	Rivet 3,2x6.8 A2/NSF	23
1604.0161P	Rivet 4x6 CNS	27

Index

Part no.	Description	Page
10.00.904P	Rivet B4x8	27
10.00.989P	Rivet with screw	7, 9, 27, 29, 37
40.01.358P	Rocker switch 1 pole	9
54.01.729S	Rubber form piece venting pipe	33
87.01.548S	Safety device / water supply for steam generator	15
40.06.684P	Safety temperature limiter	23
40.06.098P	Screen for safety temperature limiter	23
40.05.489P	Screen interior cabinet sensor	23
16.04.062P	Sealing block	5
16.03.701P	Sealing block LAN	5
16.03.342P	Sealing f. panel insert	5
42.00.346P	Sensor on / off	5
16.03.419P	Side panel left	31
16.04.079P	Side panel right	31
60.75.174P	side panels	43, 45, 47
56.01.627S	Silicone hose with hose clamps	35
24.03.056P	Slide bush for door	27
10.01.902P	Slotted head screw M5X16 T25	37
1104.0820P	Snap nut 4,2mm	31
50.02.054P	Solenoid valve fivefold	33
60.76.574P	spacer CPU	43, 45, 47
24.03.764P	Spacer for door	27
50.02.133P	Supply hose for "Care box"	35
50.02.146P	Supply hose for moistening	33
44.02.227S	Supply hose safety armature	15
40.06.112P	Temperature sensor eSTB	23
40.06.131P	Temperature sensor eSTB 240mm	15
40.05.995P	Thermocouple	43, 45, 47
87.01.781S	Thermocouple	43, 45, 47
40.06.212S	Thermocouple humidity *B4*	23
40.06.593P	Thermocouple interior cabinet B1	23
40.06.230P	Thermocouple steam generator *B5*	15

Index

Part no.	Description	Page
1205.0120P	Tooth lock washer A5,3	29
16.03.420P	Top cover	31
50.02.005P	Union nut	17
40.06.044P	USB socket with cable	5
72.00.492P	V Clamp 50mm right	15
22.01.409P	Vent cover	13, 29
54.01.928P	Ventilation pipe	33
1308.0162P	Washer A8,4	21
56.01.523P	Waste water cover	29
56.01.017P	Waste water pump Cleaning box	35
87.01.738S	Wire set earth - ignition electrode	37

