



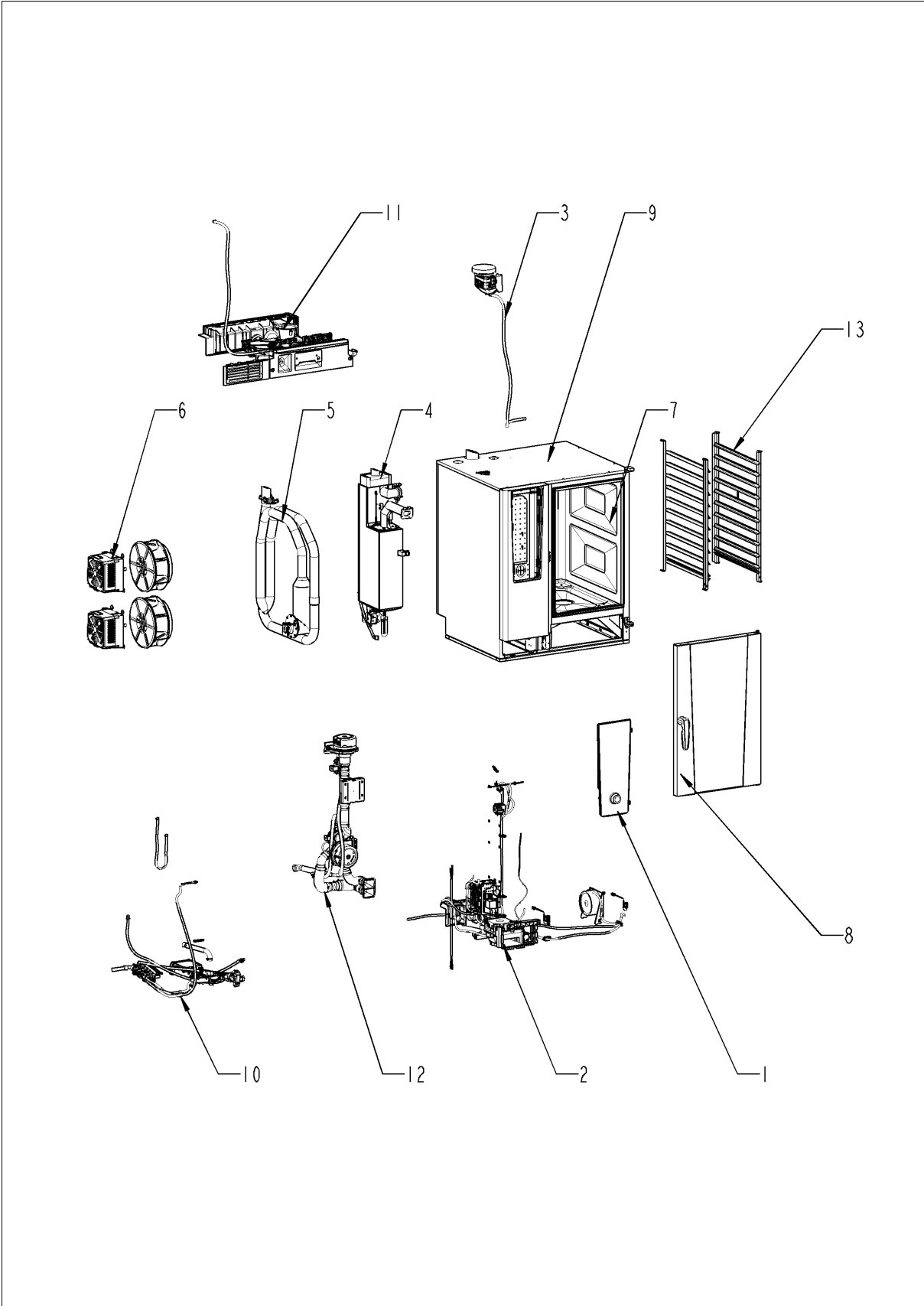
# Service part catalogue

iCombi® ab 03/2020 101 - 10 x 1/1 Gastronorm

G11SJ2007



# Overview

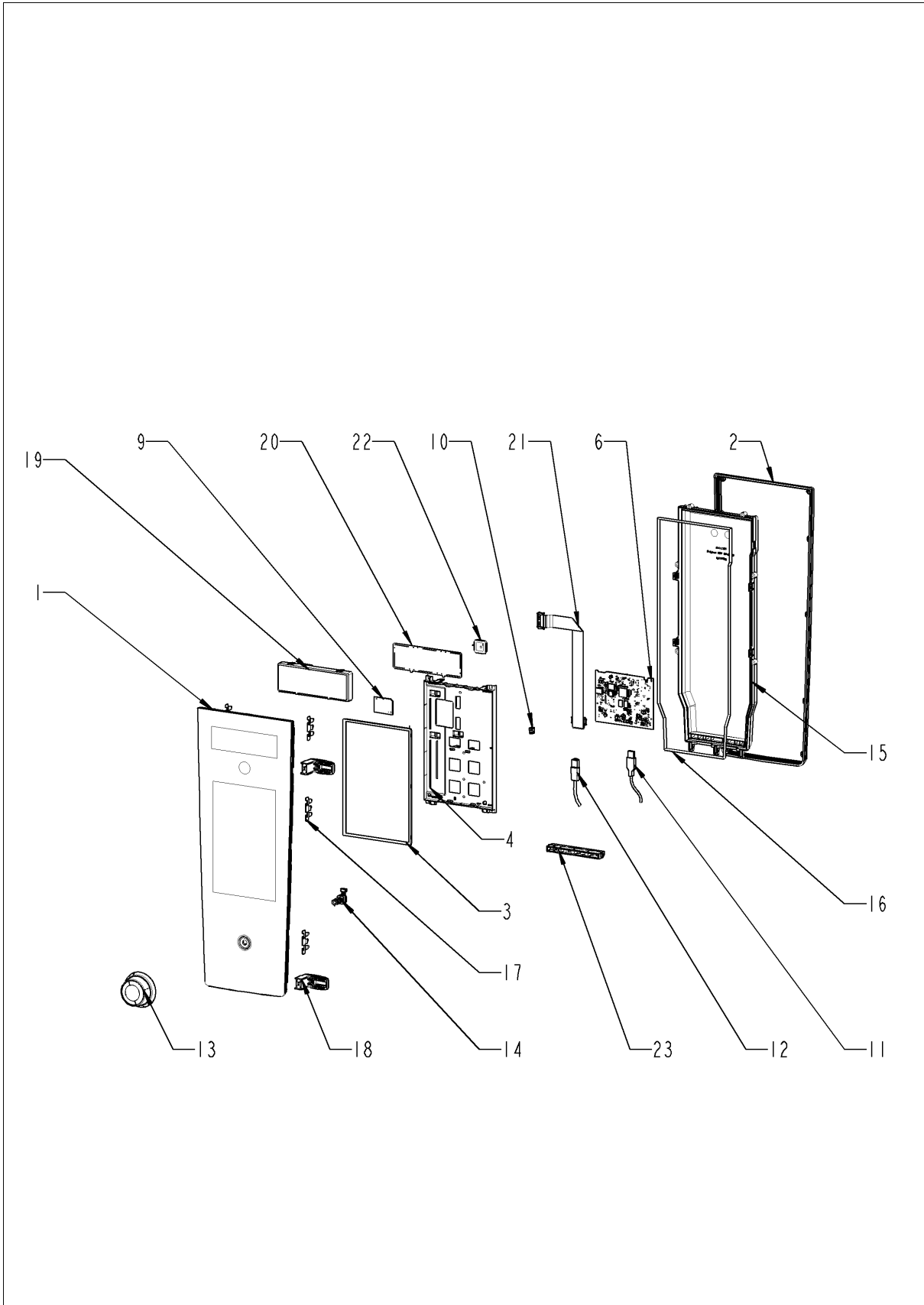


---

## Overview

<b>Pos.</b>	<b>Assembly</b>	<b>Page</b>
1	Control panel .....	4
2	Electrical installation .....	6
3	ClimaPlus .....	12
4	Steam generator .....	14
5	Hot air heating .....	16
6	Motor and fan wheel .....	20
7	Interior cabinet .....	22
8	Door .....	24
9	Exterior cabinet .....	28
10	Water .....	32
11	CleanJet + Care .....	34
12	Gas parts .....	36
13	Standard accessory .....	38

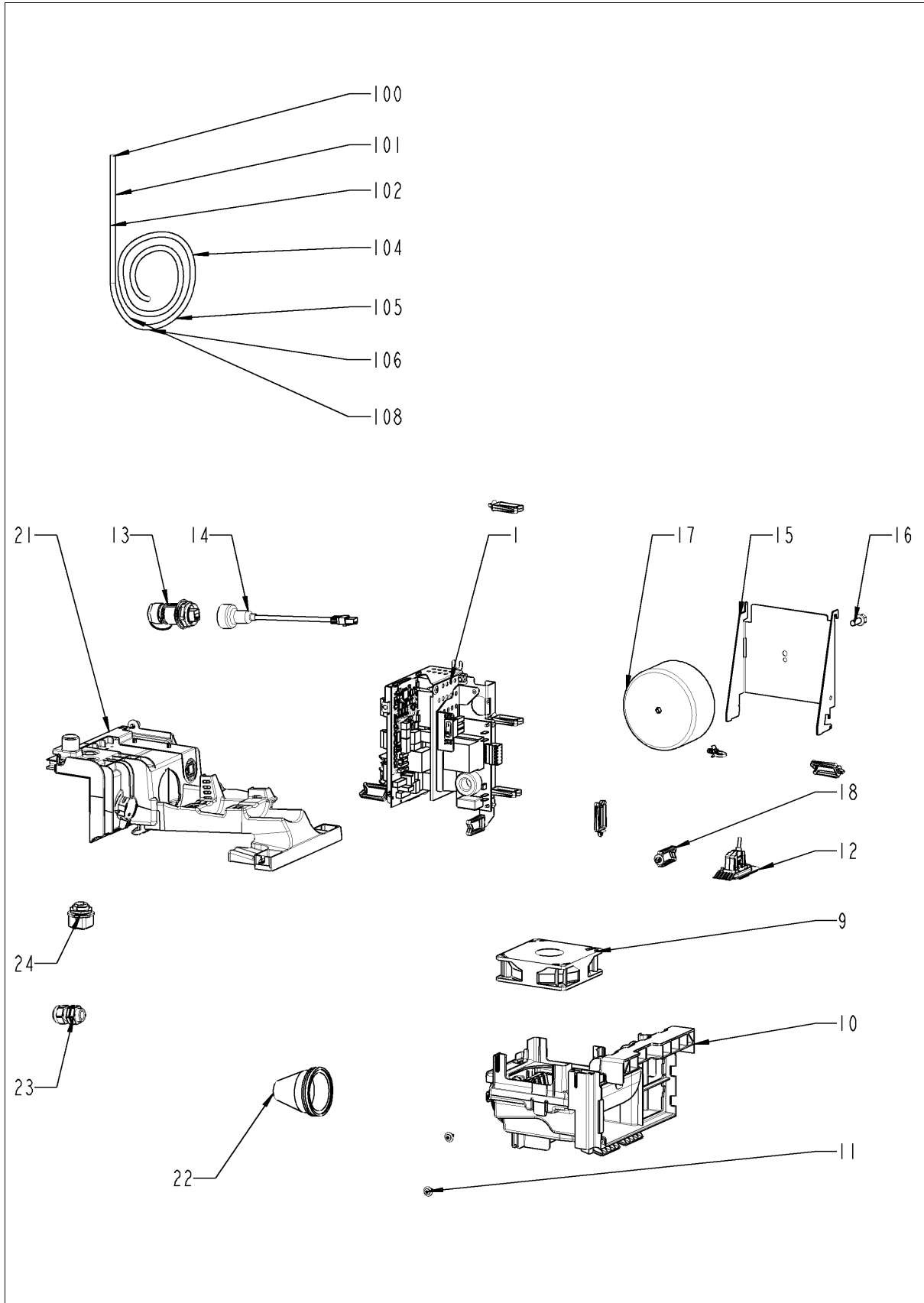
# Control panel



## Control panel

Pos.	Part no.	Description	Qty.
1	87.01.535S	Control panel insert *RAT*	1
2	16.03.342P	Sealing f. panel insert	1
3	42.00.287P	Operator pcb *TFT*	1
4	16.03.747P	Fixing display / pcb	1
6	42.00.251P	Control pcb (w/o SD-Card)	1
8	42.00.359P	Micro SD card	1
9	42.00.346P	Sensor on / off	1
10	40.06.760P	Cable control pcb - capacitive switch	1
11	40.06.044P	USB socket with cable	1
12	40.06.409P	Interface cable LAN 1.5m	1
13	16.03.756P	Dial f. pulse generator	1
14	40.06.037P	Pulse generator	1
15	16.03.735P	Cover f. control pcb w. gasket	1
17	16.03.748P	Metal cramp f. panel insert	6
18	16.03.749P	Hook for parking position	2
21	40.06.569P	Cable CPU - TFT	1
23	16.04.062P	Sealing block	1
23	16.03.701P	Sealing block LAN	1

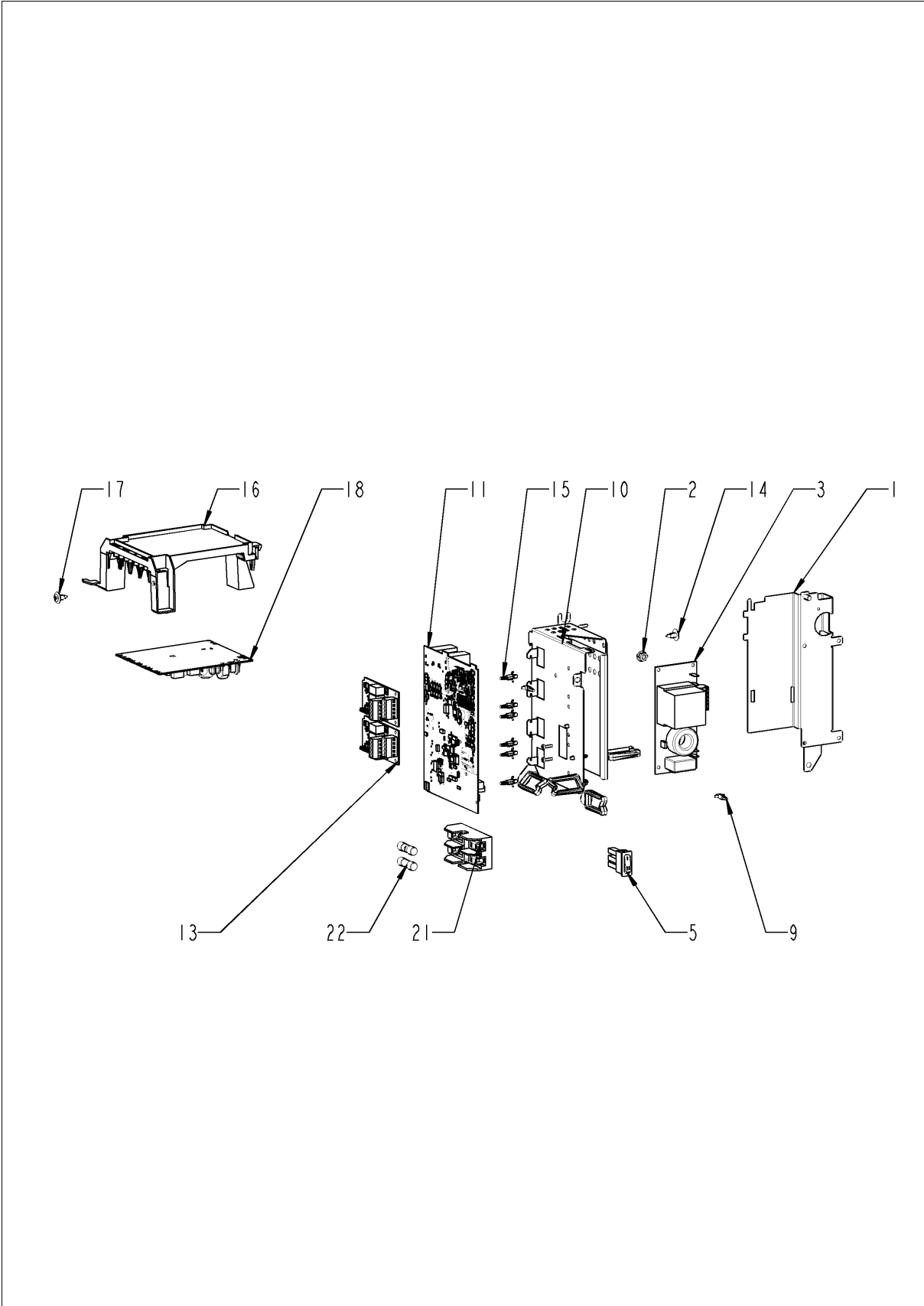
## Electrical installation



## Electrical installation

Pos.	Part no.	Description	Qty.
1		Electrical installation	1
9	40.05.993P	Cooling fan	1
10	40.06.566P	Air shaft cpl.	1
11	10.00.989P	Rivet with screw	1
12	40.06.043P	Interface USB	1
13	40.06.327P	Interface LAN IPX6	1
14	40.06.409P	Interface cable LAN 1.5m	1
15	40.05.968P	Mounting support power transformer	1
16	1008.0769P	Ornamental screw M8x30	1
17	40.06.004P	Power transformer	1
18	40.06.878P	Cable holder	8
21	87.01.620S	Cable entry	1
22	40.06.777S	Cable bushing f. cable entry	1
23	40.00.320P	Cable connection M20x1.5	1
24	40.04.495P	Cable connection M25 ø5mm *divisible*	1
25	3019.0124P	Fuse 5x20mm 0,8A	1
100	40.06.063P	Cable control harness	1
101	40.06.625P	Pump harness	1
102	40.06.624P	Cable harness base	1
104	40.06.323P	Cable harness isolating transformer	1
112	40.06.755P	Power supply cable 3xAWG14 3m	1
114	40.07.148P	Bus cable 1.73m	1
115	40.05.858P	Bus cable 1.08m	1
116	40.05.858P	Bus cable 1.08m	1
117	40.07.146P	Bus cable 1.35m	1
120	40.05.858P	Bus cable 1.08m	1

# Electrical installation

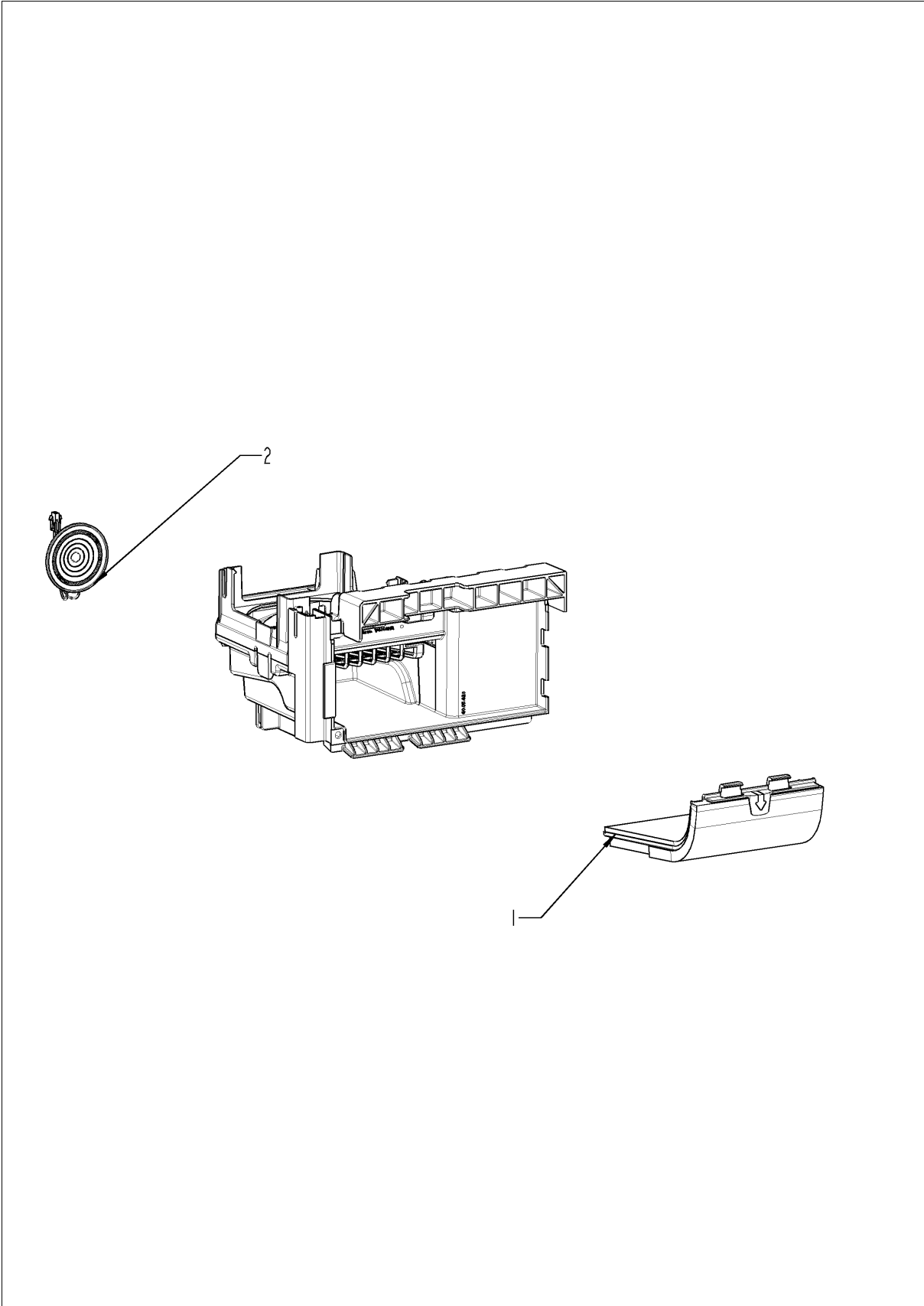




## Electrical installation

Pos.	Part no.	Description	Qty.
1	40.06.385P	Electrical mounting plate	1
2	10.00.709P	Hex nut M6 w. locking	1
3	42.00.286P	Electronic noise filter	1
5	40.01.358P	Rocker switch 1 pole	1
9	40.03.756P	Fixing clip f. pcb	1
11	40.05.919P	IO-module	1
14	10.00.989P	Rivet with screw	1
15	40.03.756P	Fixing clip f. pcb	1
16	40.04.953P	Mounting support for pump pcb	1
17	10.00.989P	Rivet with screw	1
18	42.00.273P	Pump pcb	1
21	4001.1295P	Fuse holder e 1003Si/1DS	2
22	4001.0224P	Fuse 6.35x32mm 6.3A	2
28	40.06.767P	Fuse 4A *Typ 5HT 4-R*	1

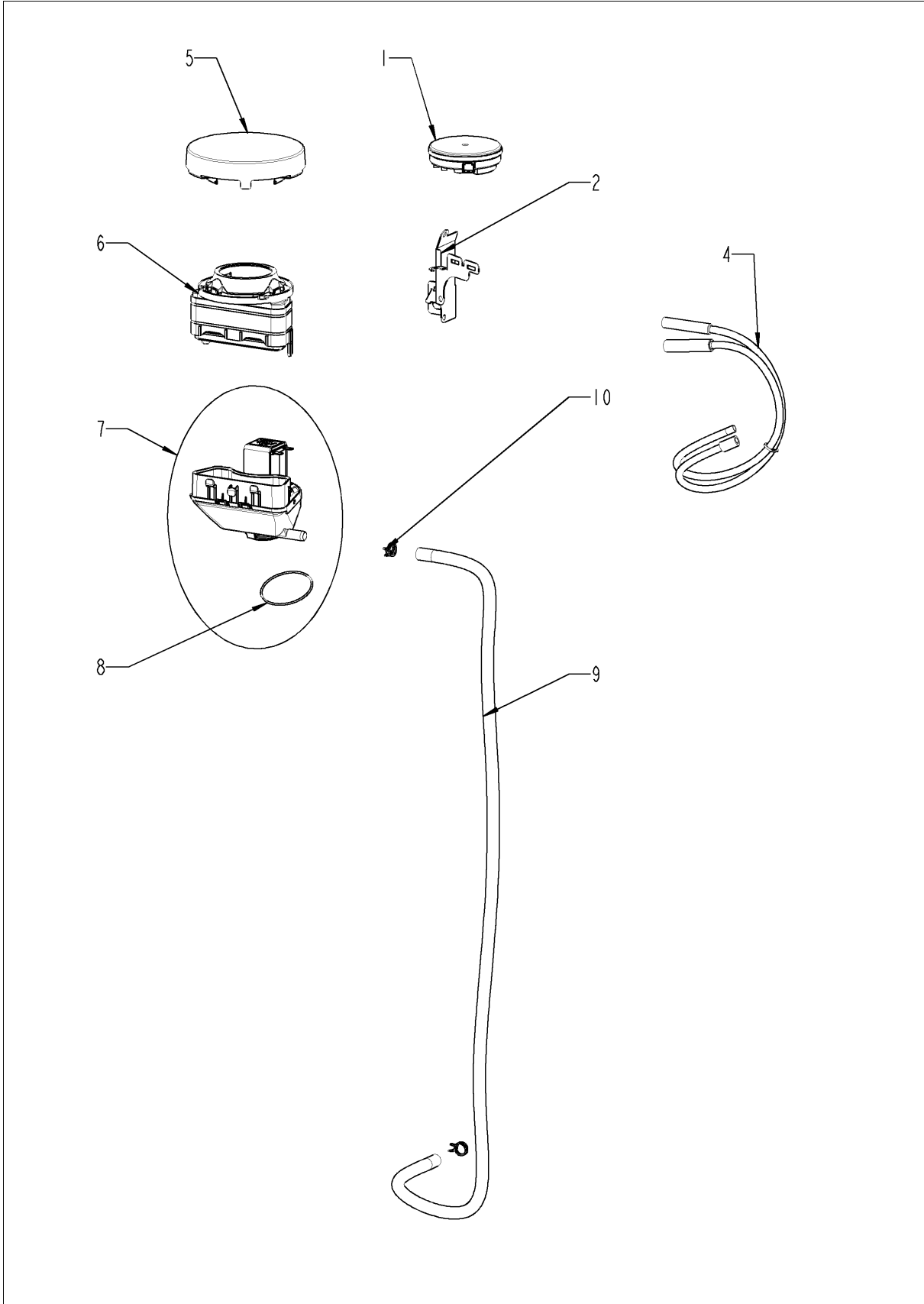
# Air shaft cpl.



## Air shaft cpl.

Pos.	Part no.	Description	Qty.
1	40.05.424P	Air inlet filter cpl.	1
2	40.06.728P	Loudspeaker K 64 WPTR	1

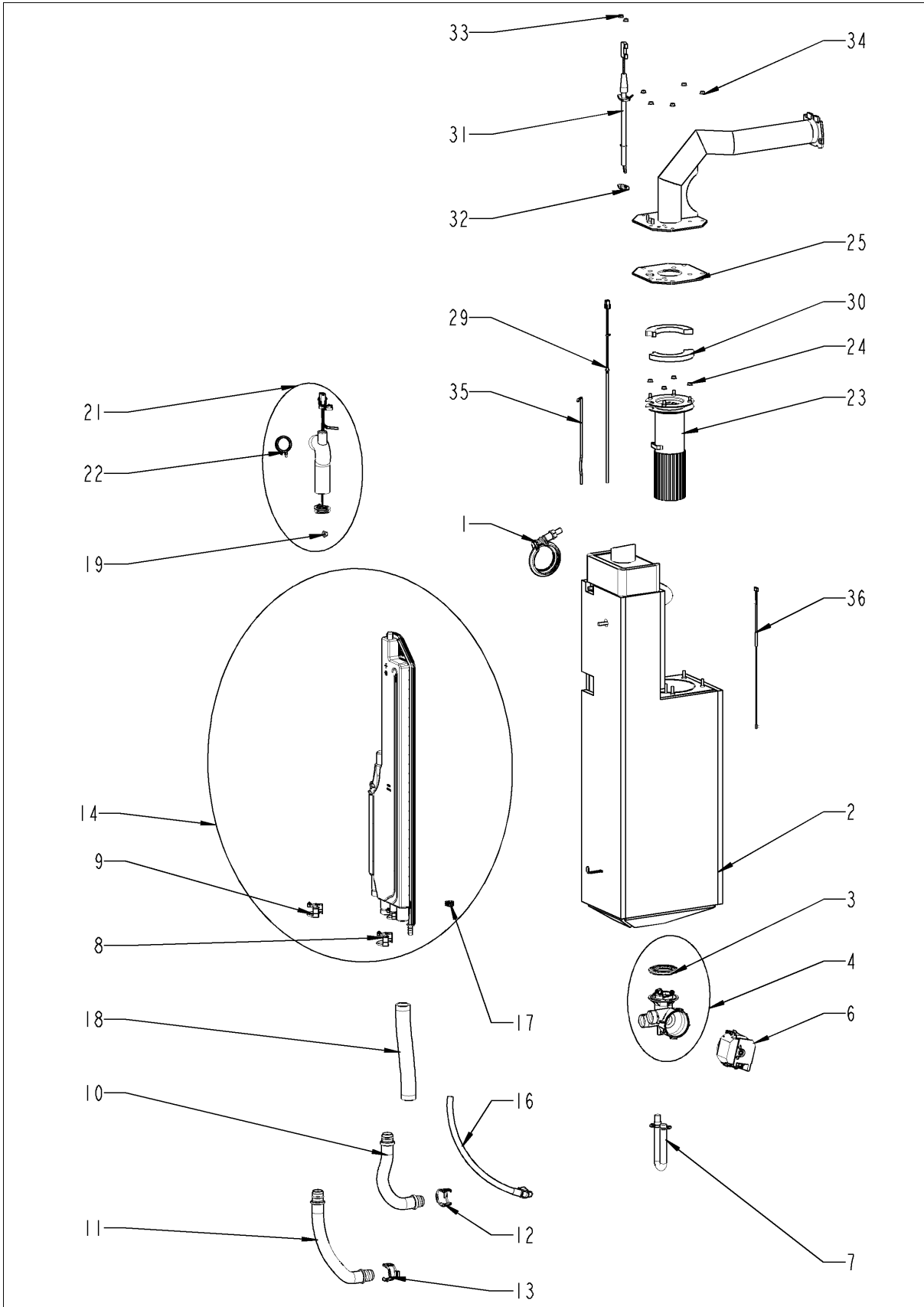
# ClimaPlus



## ClimaPlus

Pos.	Part no.	Description	Qty.
1	3017.1011P	Pressure sensor Huba 401	1
2	40.05.435P	Mounting device f. pressure sensor	1
4	22.00.525P	Hose set f. humidity control	1
5	22.01.409P	Vent cover	1
6	87.01.553S	Air inlet pipe	1
7	22.01.402P	Humidity control cpl.	1
8	10.01.694P	O-ring for humidity control	2
9	56.01.518P	Drain hose set, humidity control, unit drip collector	1
10	2066.0527P	Hose clamp ø14mm	2

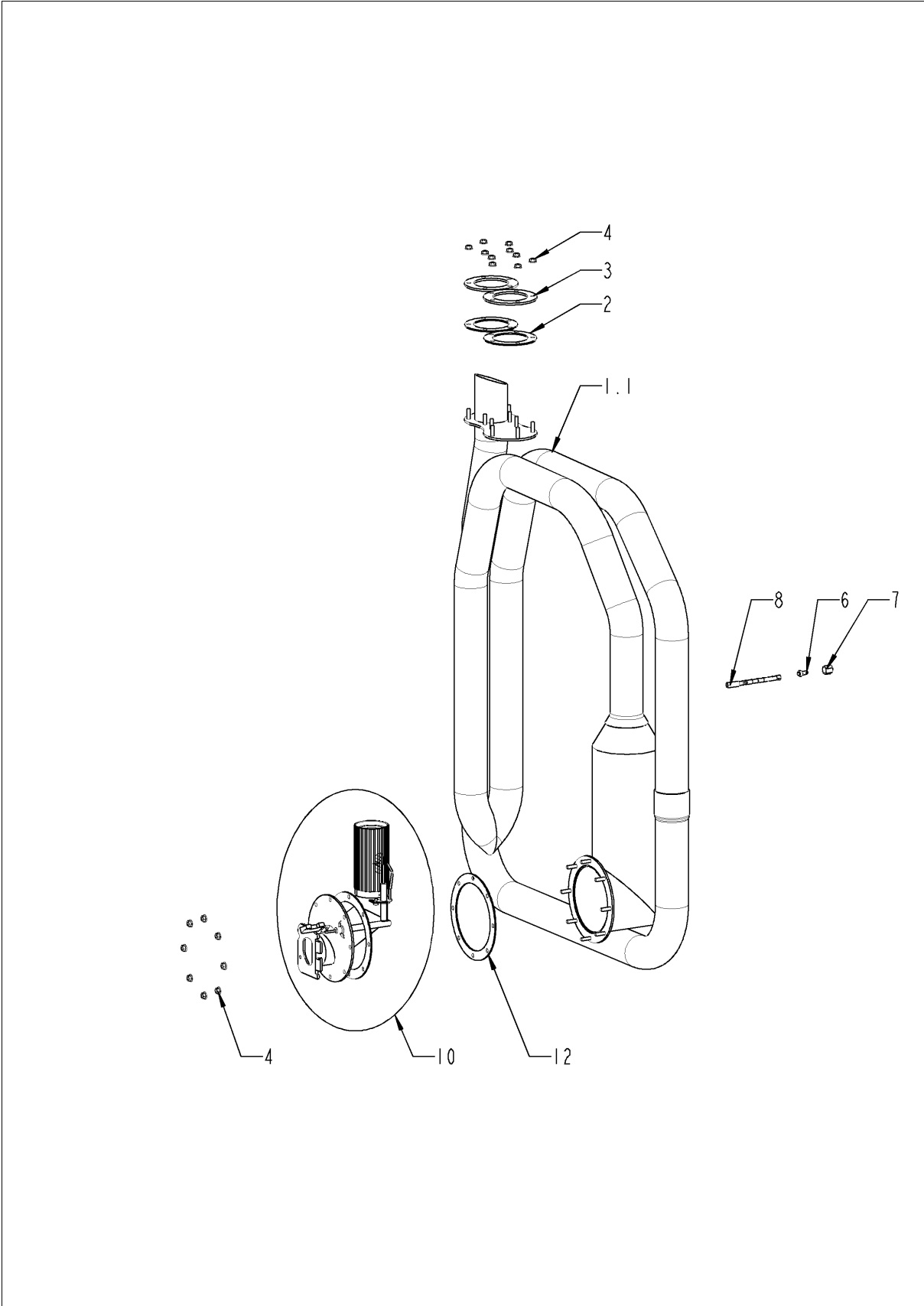
# Steam generator



## Steam generator

<b>Pos.</b>	<b>Part no.</b>	<b>Description</b>	<b>Qty.</b>
1	72.00.492P	V Clamp 50mm right	1
2	87.01.552S	Kit Steam generator insolated	1
3	44.02.200P	Gasket SC pump	1
4	44.02.179S	Pump housing	1
6	56.01.024P	Emptying pump	1
7	44.02.287P	Emergency drainage hose	1
8	10.01.707P	Locking ring 25mm	1
9	10.01.707P	Locking ring 25mm	1
10	44.02.227S	Supply hose safety armature	1
11	44.02.219S	Drain hose steam generator	1
12	10.01.707P	Locking ring 25mm	1
13	10.01.707P	Locking ring 25mm	1
14	87.01.548S	Safety device / water supply for steam generator	1
16	50.02.119P	Hose, water supply, steam generator	1
17	2066.0205P	Hose clamp 8-16x9 mm SW 7mm	1
18	44.02.230P	Drain hose steam generator	1
19	44.01.505P	Grommet Ø12x8,2	1
21	44.02.494S	Molded hose with level electrode	1
22	2066.0518P	Hose clamp 30mm	2
23	70.01.277S	Burner steam gen. kit	1
24	10.01.065P	Hex nut M5	1
25	72.00.408P	Gasket f. burner carrier	1
29	40.06.131P	Temperature sensor eSTB 240mm	1
30	72.00.077P	Insulation f. burner steam gen.	1
31	70.01.250S	Ignition electrode kit for steam generator	1
32	70.01.258P	Gasket f. ignition electrode	1
33	10.01.065P	Hex nut M5	2
34	10.01.065P	Hex nut M5	5
35	72.00.505P	Fixing plate steam generator thermostat	1
36	40.06.228P	Thermocouple steam generator *B5*	1

# Hot air heating

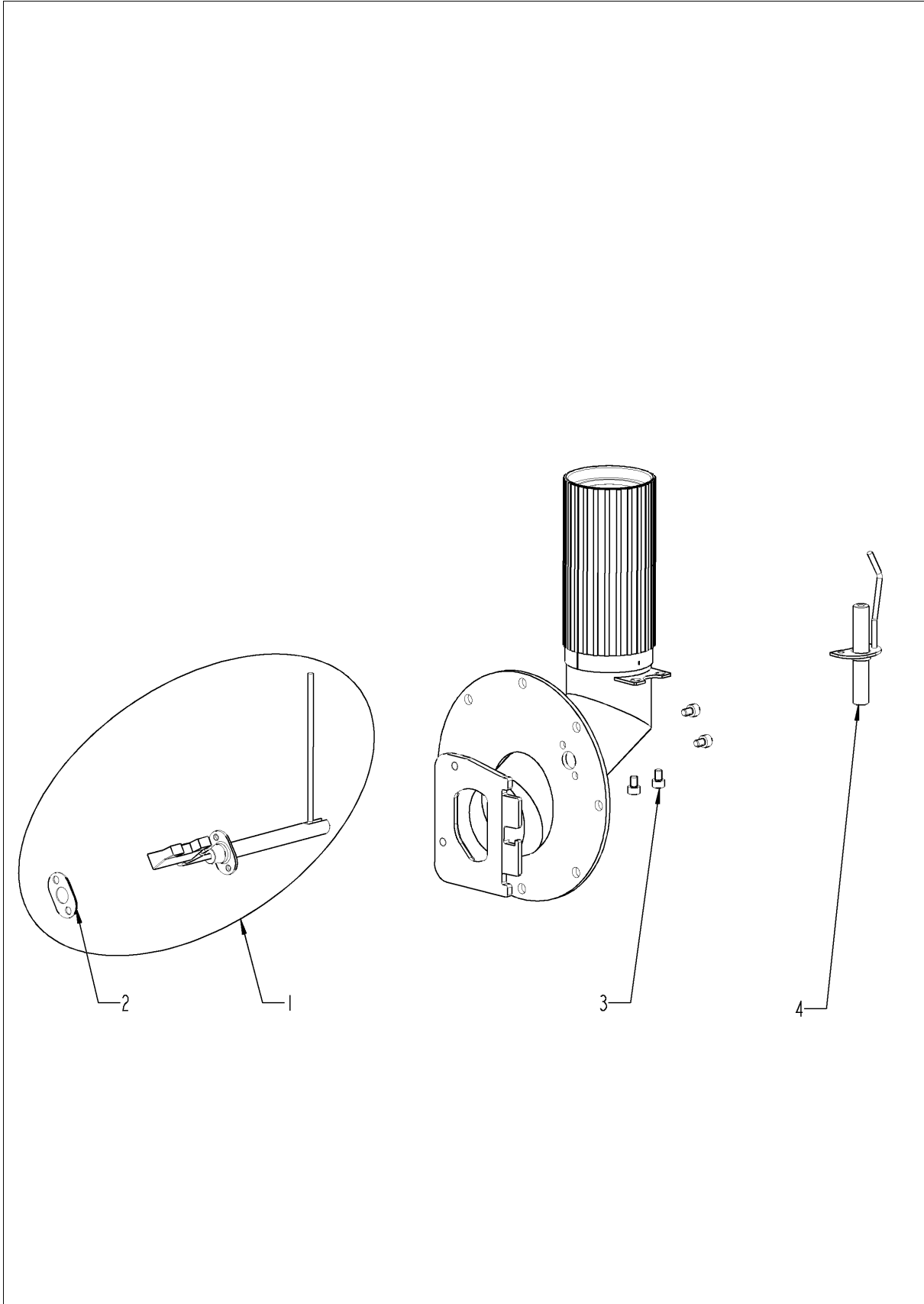




## Hot air heating

Pos.	Part no.	Description	Qty.
1.1	74.00.981S	Hot air heat exchanger	1
2	74.01.124P	Gasket hot air heat exchanger/interior cabinet	2
3	74.01.125P	Mating flange heat exchanger	2
4	10.01.065P	Hex nut M5	10
6	50.02.004P	Nozzle f. moistening	1
7	50.02.005P	Union nut	1
8	50.02.006P	Plastic pipe PEEK	1
10	87.01.654S	Burner hot air	1
12	74.00.296P	Gasket f. heat exchanger below	1

## Burner hot air



## Burner hot air

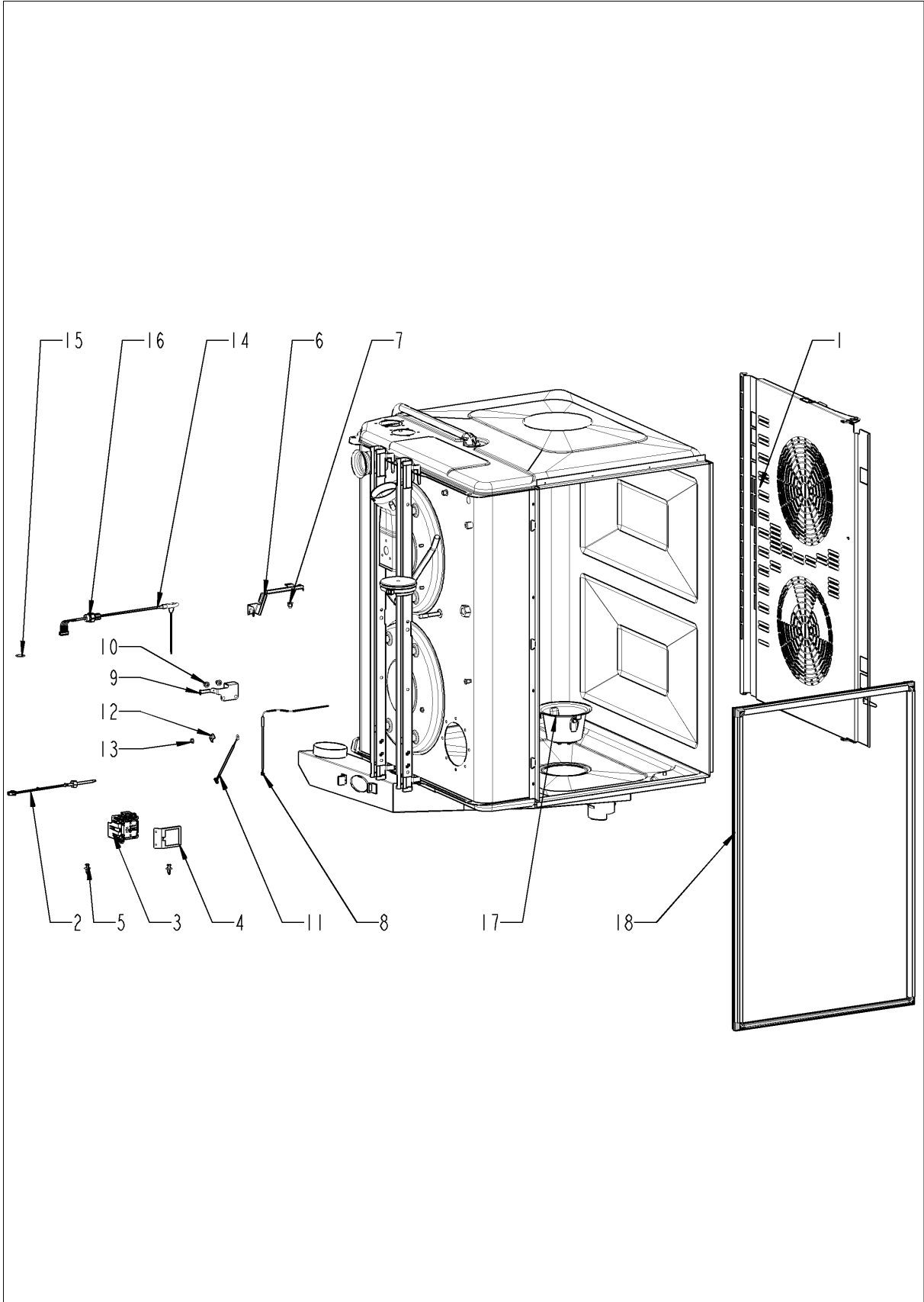
Pos.	Part no.	Description	Qty.
1	70.01.247S	Ignitionelectrode, hot air 350mm	1
2	74.00.290P	Gasket electrode hot air	1
3	10.00.696P	Allen screw M4x6 w. Precoat 85	4
4	74.00.873P	Earth electrode, hot air	1



## Motor and fan wheel

Pos.	Part no.	Description	Qty.
1.1	87.01.558S	Fan motor	1
1.3	87.01.560S	Fan motor	1
2.1	42.00.276P	Motor control for fan motor	1
2.3	42.00.277P	Motor control for fan motor	1
3	20.02.807P	Isolation for mounting plate for motor	2
6	10.00.709P	Hex nut M6 w. locking	8
7	22.01.423P	Mounting support f. gasket flange	2
8	22.01.425P	Graphit seal for gasket flange	2
9	22.00.985P	Motor shaft gasket D15	2
10	22.01.427P	Flange f. motor shaft gasket	2
11	10.01.076P	Cap nut M5*A2	6
12	22.01.164S	Fan wheel	2
13	1308.0162P	Washer A8,4	2
14	10.00.936P	Hex screw M8x20	2

# Interior cabinet



## Interior cabinet

Pos.	Part no.	Description	Qty.
1	22.01.343P	Air baffle	1
2	40.06.112P	Temperature sensor eSTB	1
3	40.06.684P	Safety temperature limiter	1
4	40.06.053P	Fixing device for safety temperature limiter	1
5	10.00.515P	Rivet 3,2x6.8 A2/NSF	2
6	40.06.098P	Screen for safety temperature limiter	1
7	10.01.076P	Cap nut M5*A2	1
8	40.06.888P	Thermocouple interior cabinet B1	1
9	40.05.489P	Screen interior cabinet sensor	1
10	10.01.076P	Cap nut M5*A2	2
11	40.06.212S	Thermocouple humidity *B4*	1
12	10.00.087P	Clamp strap f. sensor	1
13	10.01.065P	Hex nut M5	1
14	40.06.902P	Meat probe sensor	1
15	1315.0104P	Copper washer 16x20x1,5	1
16	10.01.751P	Hex nut M16 DIN934 A2	1
17	56.01.491P	Outlet sieve	1
18	20.02.552P	Door gasket	1

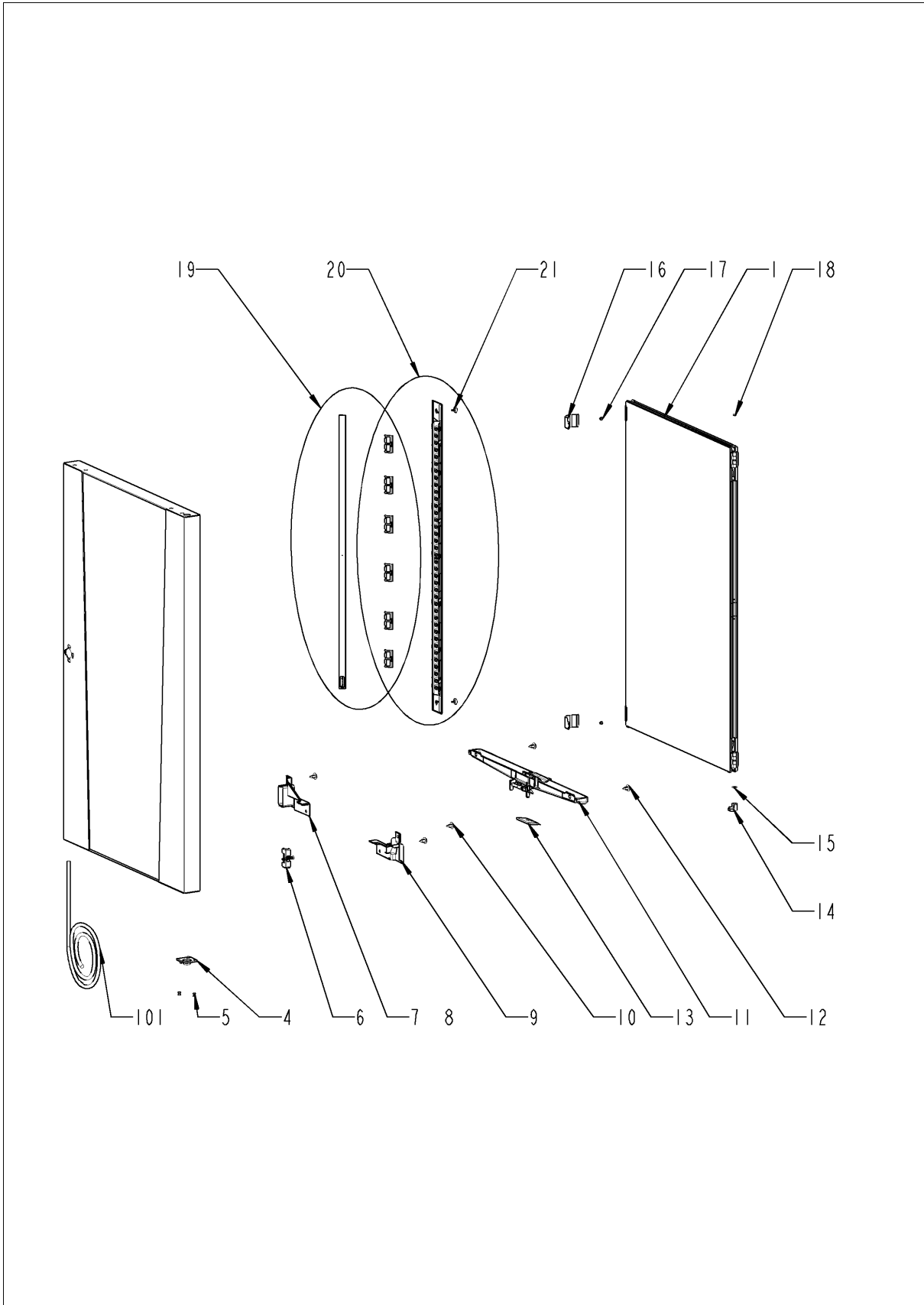




## Door

Pos.	Part no.	Description	Qty.
1	24.04.097S	Door	1
2	24.04.083P	Door handle RATIONAL	1
3	24.03.213P	Door lock with spring U-bolt *2-step*	1
5	24.04.211P	Lock cover	1
6	24.02.958P	Holding bracket f. door catch	1
7	10.01.719P	Hex screw M6x12	2
8	24.02.990P	Door catch for 2-step lock	1
9	24.02.960P	Interlocking tooth screw M5x6	1
10	2001.0109P	Compression spring	1
11	24.03.040P	Door bolt	1
12	1008.0768P	Ornamental screw M8x16	1
15	14.01.056P	Door mounting support bottom	1
16	10.01.755P	Countersunk screw M5x20 A2	1
17	56.01.245P	Cap for door mounting support bottom	1
18	16.04.110P	Cover for door mounting support	1

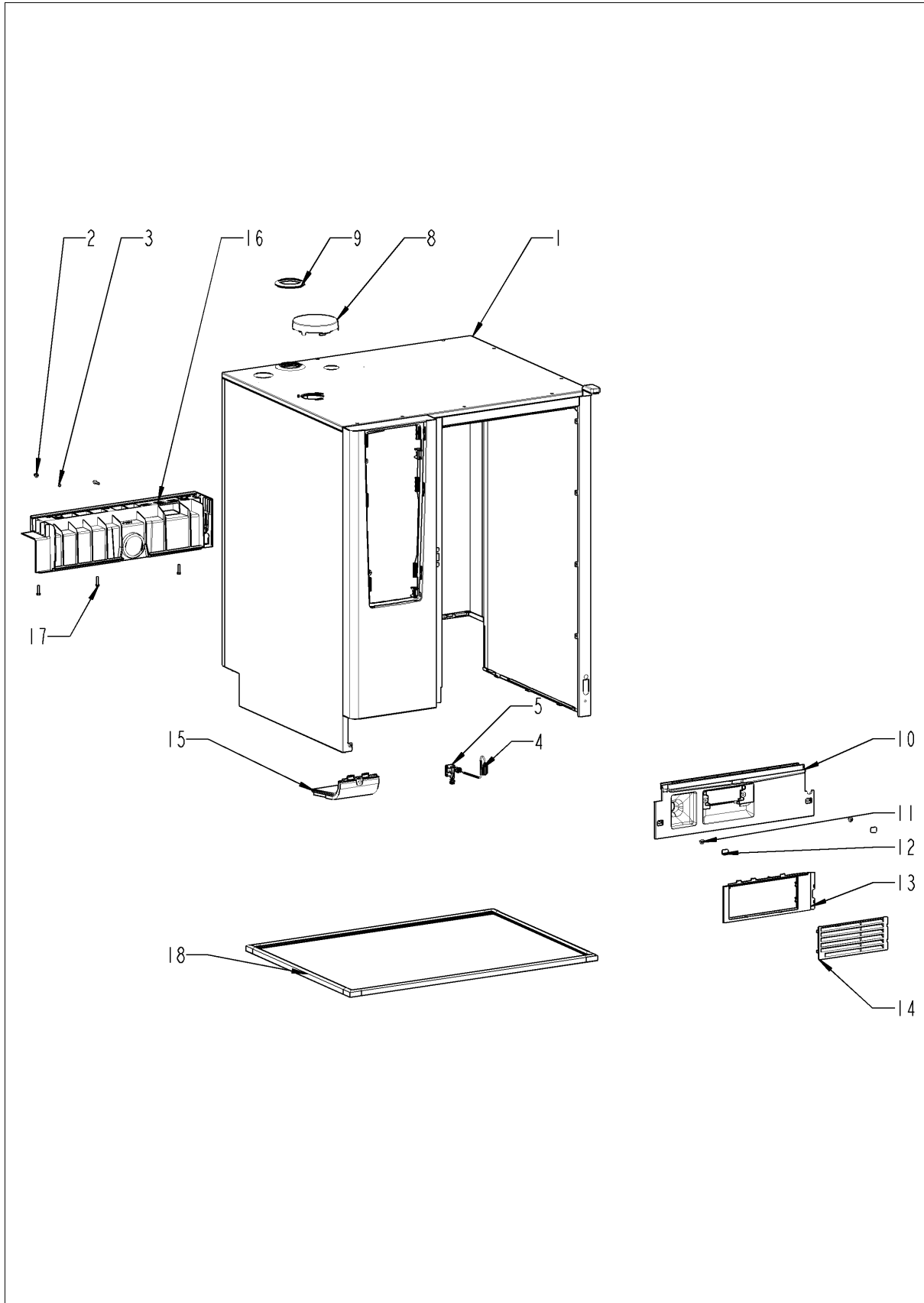
# Door



## Door

<b>Pos.</b>	<b>Part no.</b>	<b>Description</b>	<b>Qty.</b>
1	24.04.897S	Glass pane bundle	1
4	24.04.217P	Door setting bolt	1
5	10.00.904P	Rivet B4x8	2
6	24.04.619P	Fixing device f. magnet with magnet	1
7	24.04.598S	Cover for door magnet	1
8	10.00.989P	Rivet with screw	2
9	24.05.303S	Hinge cover	1
10	10.00.989P	Rivet with screw	2
11	24.05.382P	Door drip collector	1
12	10.00.989P	Rivet with screw	2
13	24.05.345P	Drain seal for door drip collector	1
14	24.03.056P	Slide bush for door	1
15	24.03.057P	Abrasion protection for glide socket	1
16	24.03.787S	Fixing bracket kit for interior glass pane	2
17	1604.0161P	Rivet 4x6 CNS	1
18	24.03.062P	Cover cap for door	1
19	87.01.581S	LED bar	2
20	87.01.582S	LED optics	2
21	24.05.458P	Plastic spreader rivet	4
22	24.03.764P	Spacer for door	1
101	40.06.078P	Cable, interior light W40 *door lighting*	1

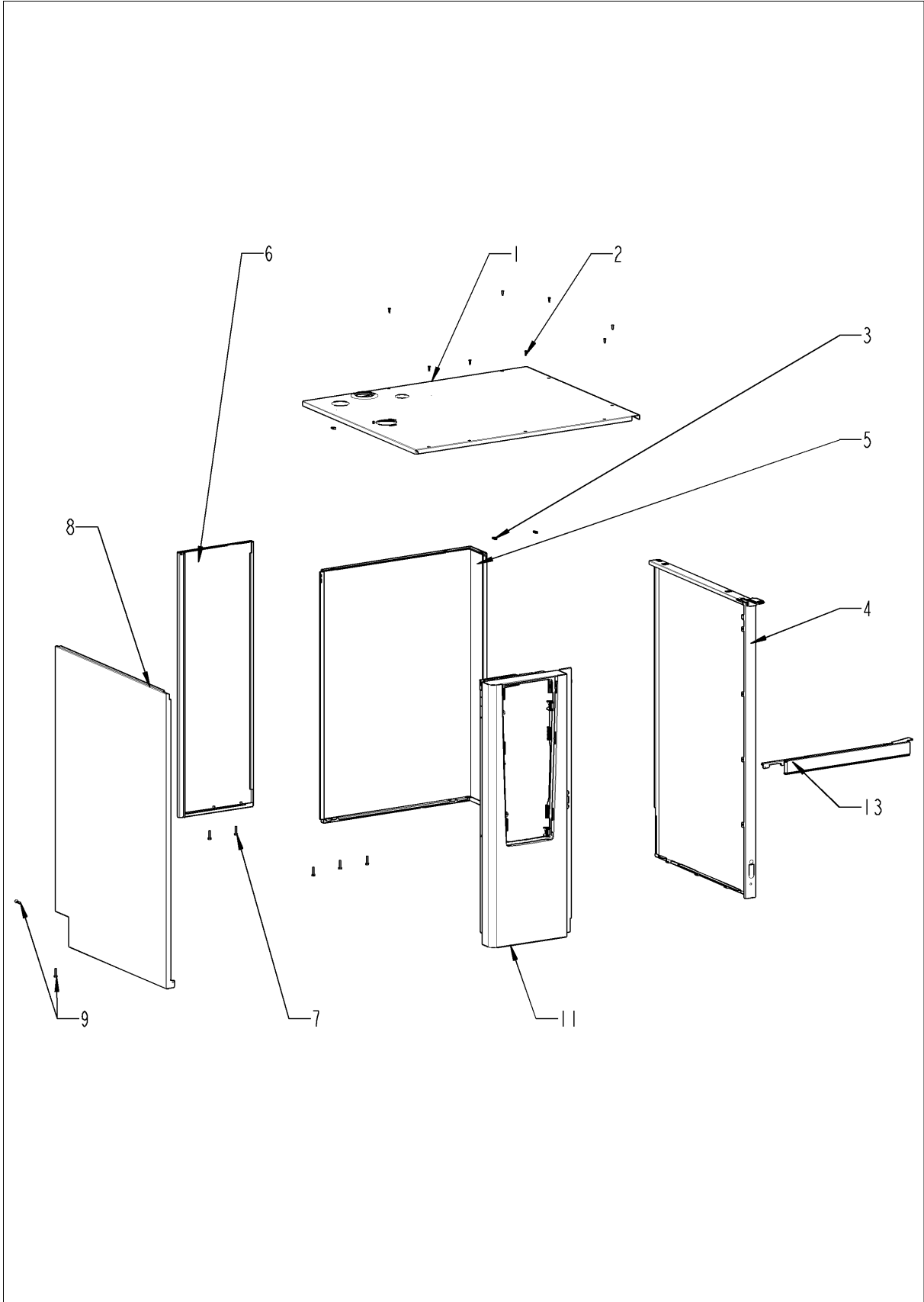
## Exterior cabinet



## Exterior cabinet

Pos.	Part no.	Description	Qty.
1		Exterior cabinet	1
2	10.01.076P	Cap nut M5*A2	1
3	1205.0120P	Tooth lock washer A5,3	1
4	40.06.664P	Door switch	1
5	14.00.937P	Bracket for door contact switch	1
8	22.01.409P	Vent cover	1
9	16.01.434P	Gasket f. breather tube d=73mm	1
10	56.01.208P	Base panel right	1
11	10.00.989P	Rivet with screw	4
12	56.01.419P	Plastic cap	2
13	56.01.432P	Base panel left	1
14	56.01.422P	Grid cover	1
15	40.05.424P	Air inlet filter cpl.	1
16	56.01.521P	Waste water cover	1
17	10.01.755P	Countersunk screw M5x20 A2	3
18	12.02.664P	Gasket for base frame	1

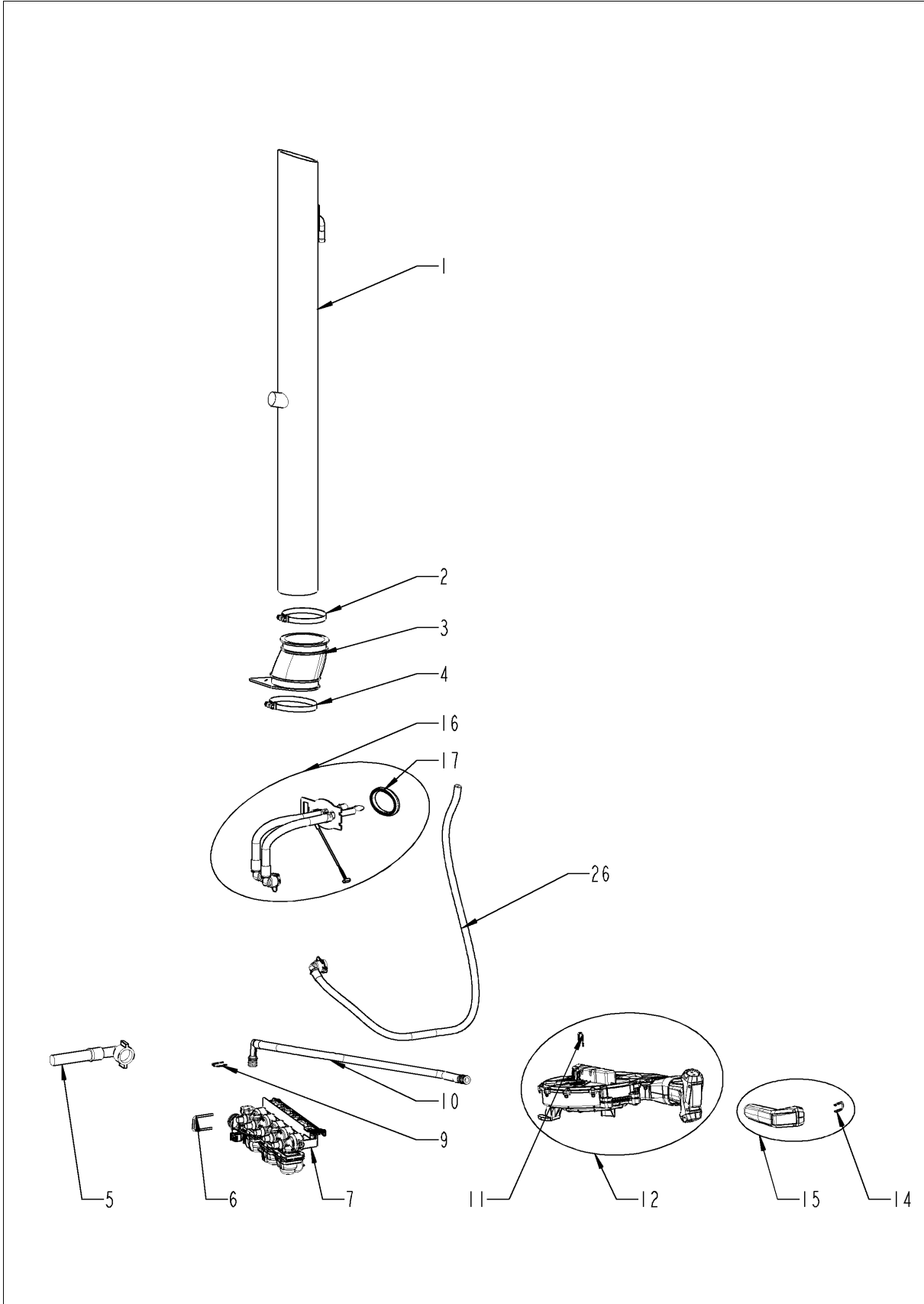
## Exterior cabinet



## Exterior cabinet

Pos.	Part no.	Description	Qty.
1	16.03.398P	Top cover	1
2	1003.2265P	Countersunk self tapping screw 4,2x16	8
3	1104.0820P	Snap nut 4,2mm	8
4	16.04.077P	Side panel right	1
5	16.04.112P	Back panel, right	1
6	16.03.394P	Back panel, left	1
7	10.01.755P	Countersunk screw M5x20 A2	2
8	16.03.397P	Side panel left	1
9	10.01.755P	Countersunk screw M5x20 A2	2
11	16.03.631P	Front panel	1
13	16.04.091P	Crossbar top	1

# Water

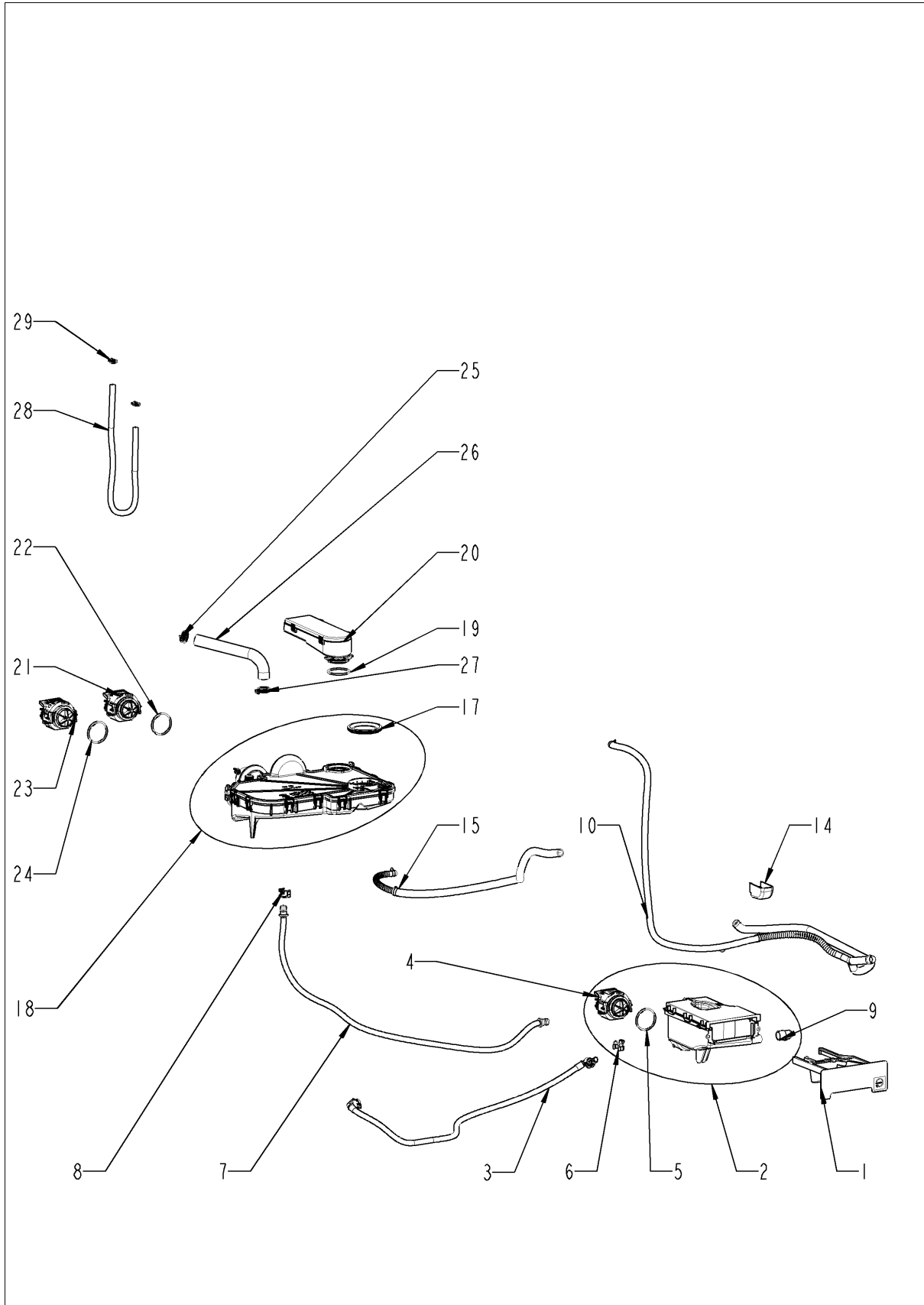




## Water

<b>Pos.</b>	<b>Part no.</b>	<b>Description</b>	<b>Qty.</b>
1	54.01.928P	Ventilation pipe	1
2	10.01.262P	Hose clamp 76 mm	1
3	54.01.729S	Rubber form piece venting pipe	1
4	10.01.686P	Hose clamp Ø82mm	1
5	2067.0709P	Hose for water supply 2500mm	1
6	50.02.112P	Locking plate f. water distribution	1
7	50.02.054P	Solenoid valve fivefold	1
9	50.00.085P	Plug-in spring f. hand shower roll guide	1
10	52.00.106S	Connect. hose f. hand shower roll guide	1
11	50.00.085P	Plug-in spring f. hand shower roll guide	1
12	52.00.096P	Hand shower roll guide	1
14	50.00.156P	Clamp f. hand shower roll guide	1
15	52.00.127S	Hand shower black	1
16	54.01.862S	Inspection lid, B2	1
17	54.01.168P	Gasket f. inspection lid	1
26	50.02.144P	Supply hose for moistening	1

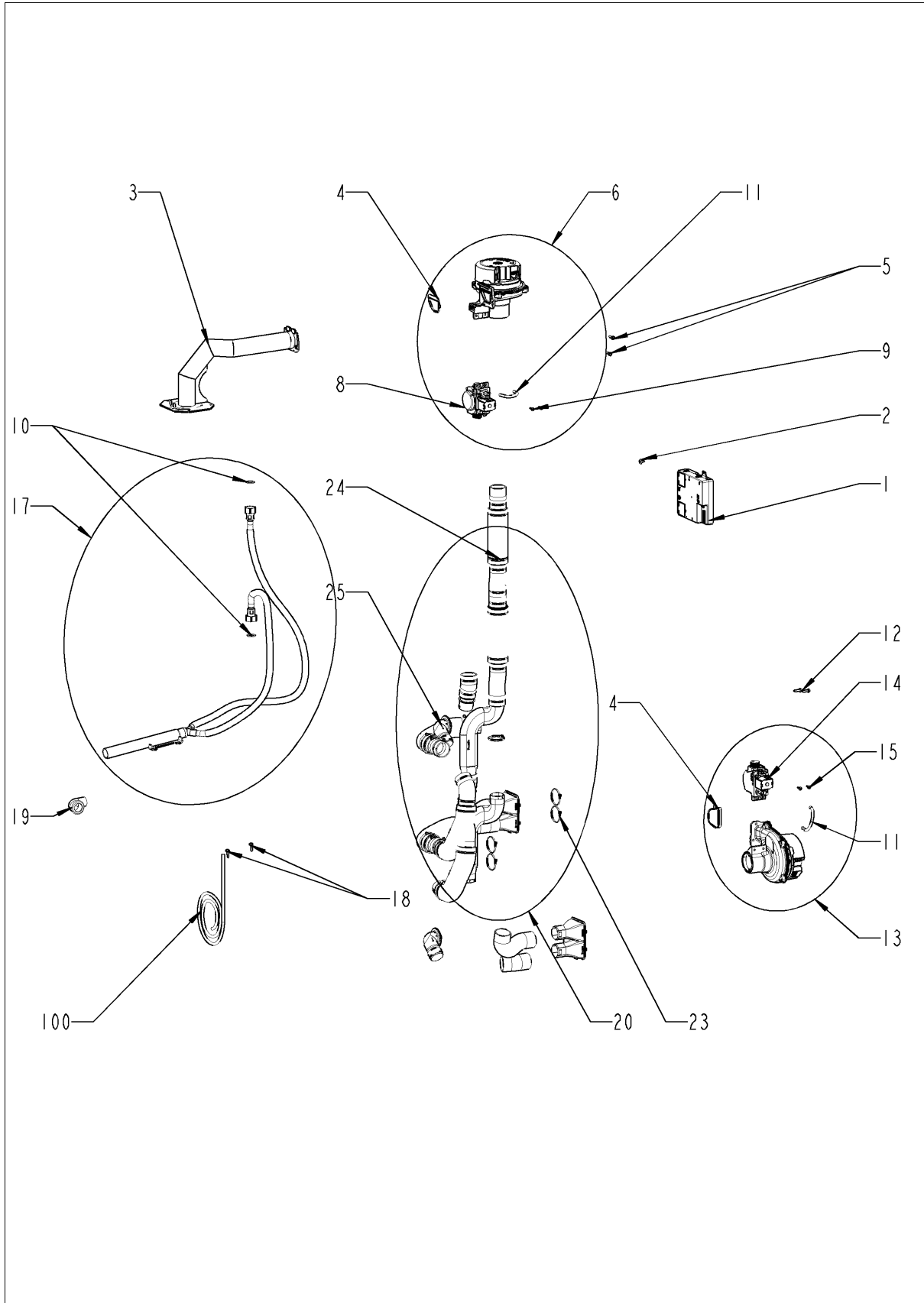
## CleanJet + Care



## CleanJet + Care

Pos.	Part no.	Description	Qty.
1	56.00.952P	Drawer Care container	1
2	56.01.466P	Care container with pump	1
3	50.02.131P	Supply hose for "Care box"	1
4	56.01.028P	Pump f. CareControl	1
5	56.01.631P	O-ring for pump	1
6	10.01.703P	Locking ring 16 mm	1
7	56.01.506S	Care hose	1
8	10.01.703P	Locking ring 16 mm	1
9	56.00.752P	Hose fitting EPDM-70ShA	1
10	56.01.518P	Drain hose set, humidity control, unit drip collector	1
14	56.01.245P	Cap for door mounting support bottom	1
15	56.01.449S	Drain hose	1
16	10.00.982P	Hose clamp D=18.2	1
17	56.01.461P	Gasket DN60	1
18	56.01.486P	Cleaning box	1
19	56.01.481P	O Ring emergency overflow	1
20	56.01.454S	Emergency overflow cleaning box	1
21	56.01.017P	Waste water pump Cleaning box	1
22	56.01.631P	O-ring for pump	1
23	56.01.020P	Pump f. cleaning	1
24	56.01.631P	O-ring for pump	1
25	2066.0521P	Hose clamp 27mm	1
26	56.01.677P	CleanJet hose	1
27	2066.0521P	Hose clamp 27mm	1
28	56.01.627S	Silicone hose with hose clamps	1
29	10.01.994P	Hose clamp 15.88 mm	2

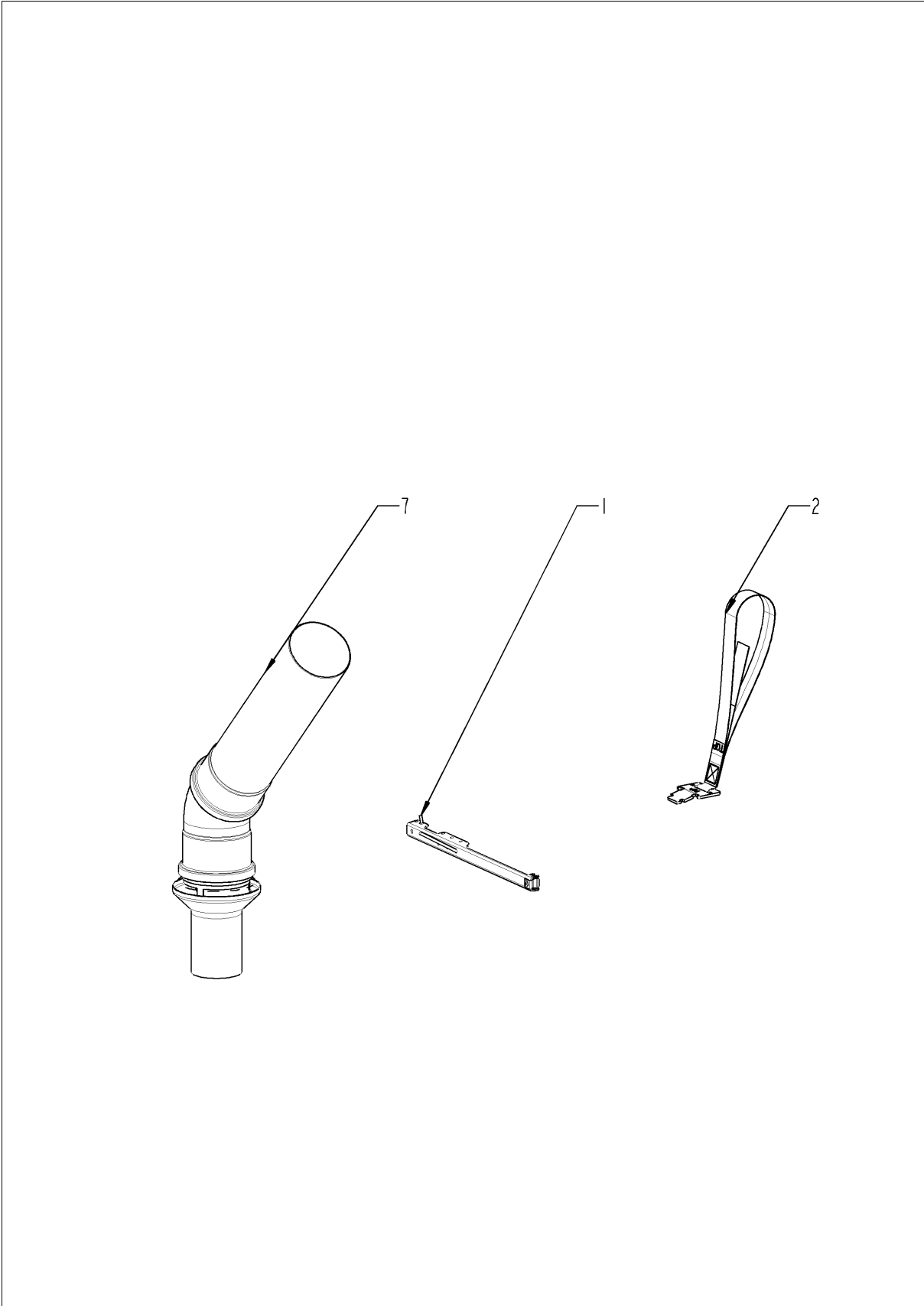
## Gas parts



## Gas parts

Pos.	Part no.	Description	Qty.
1	70.01.205S	Automatic ignition controller	1
2	10.00.989P	Rivet with screw	1
3	70.01.067P	Burner pipe	1
4	70.01.148P	Gasket f. blower burner	2
5	10.01.747P	Hex screw M5x19 Torx T20	2
6	70.01.427P	Gas blower / gas valve kit	1
8	87.01.644S	Gas valve E01	1
9	10.01.902P	Slotted head screw M5X16 T25	2
10	70.01.622P	Gasket corrugated hose	2
11	70.01.268P	Connection compensation tube	1
12	10.01.747P	Hex screw M5x19 Torx T20	2
13	70.01.426P	Gas blower / gas valve kit	1
14	87.01.644S	Gas valve E01	1
15	10.01.902P	Slotted head screw M5X16 T25	2
17	70.01.607P	Gas connection manifold	1
18	10.01.892P	Hex screw M5x20 Torx T20	1
19	70.00.188P	Hose fitting 3/4"-3/4"	1
20	70.01.328P	Air supply, hot air	1
24	70.01.167P	Air hose adapter straight DN40	1
25	70.01.168P	Air hose adapter 90° DN40	1
100	87.01.737S	Wire set earth - ignition electrode	1

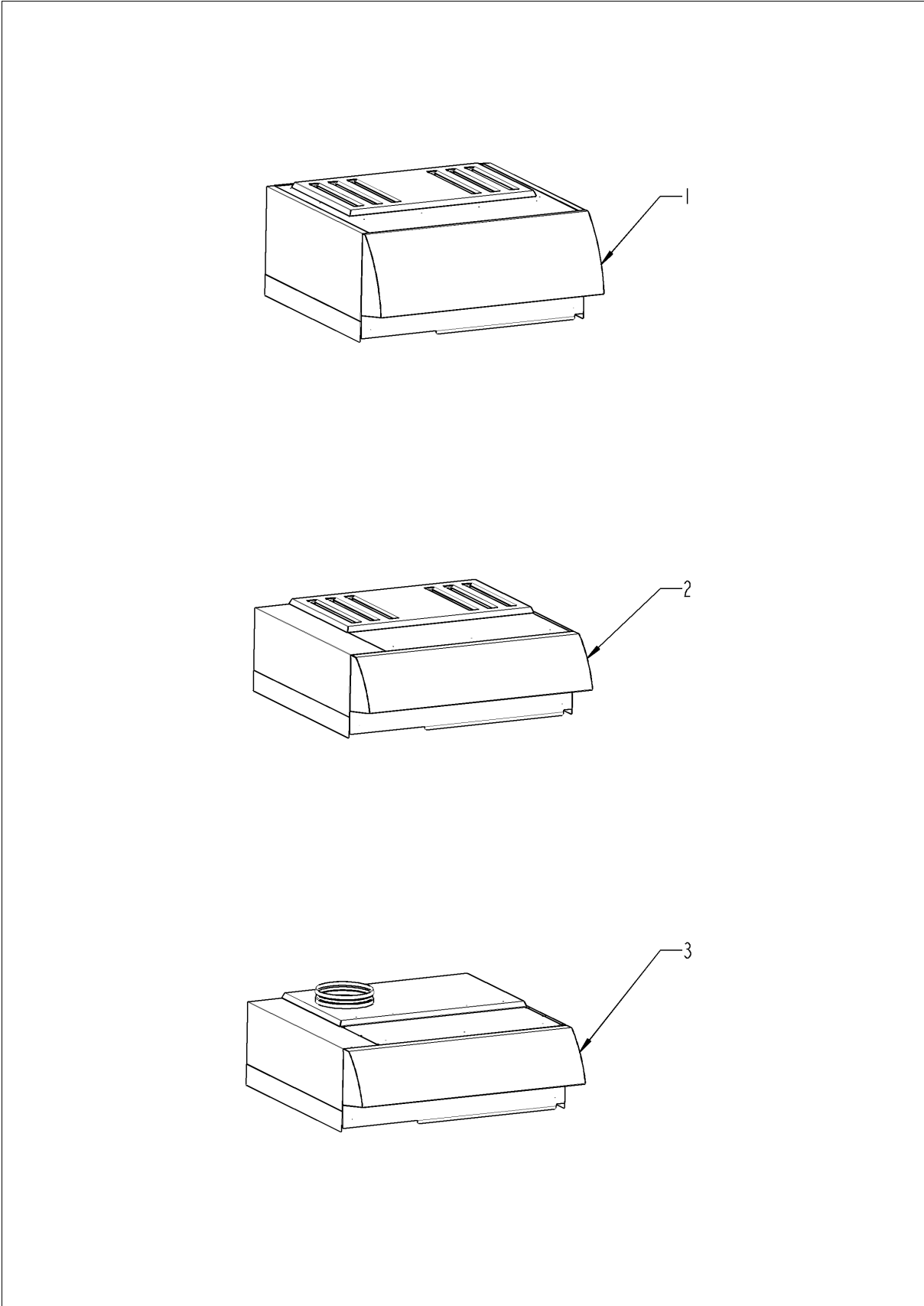
## Standard accessory



## Standard accessory

Pos.	Part no.	Description	Qty.
1	60.71.022P	Positioning support f. core sensor	1
2	91.01.135P	Carrying strap	1
7	60.72.591	Condensation breaker	1
8		Exhaust hood	1

## Exhaust hood

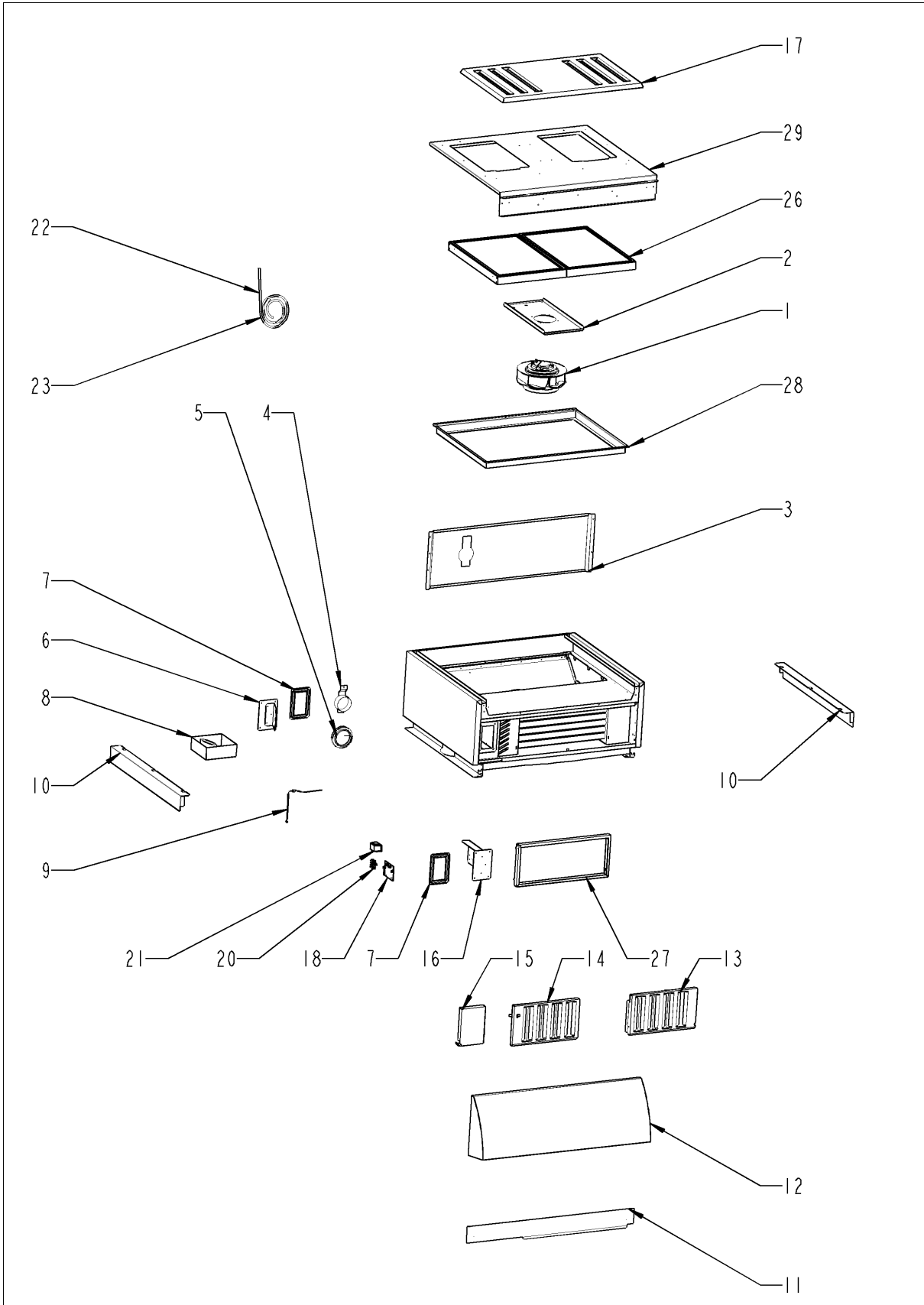




## Exhaust hood

Pos.	Part no.	Description	Qty.
1		UltraVent Plus	1
2		UltraVent	1
3		Extractor hood	1

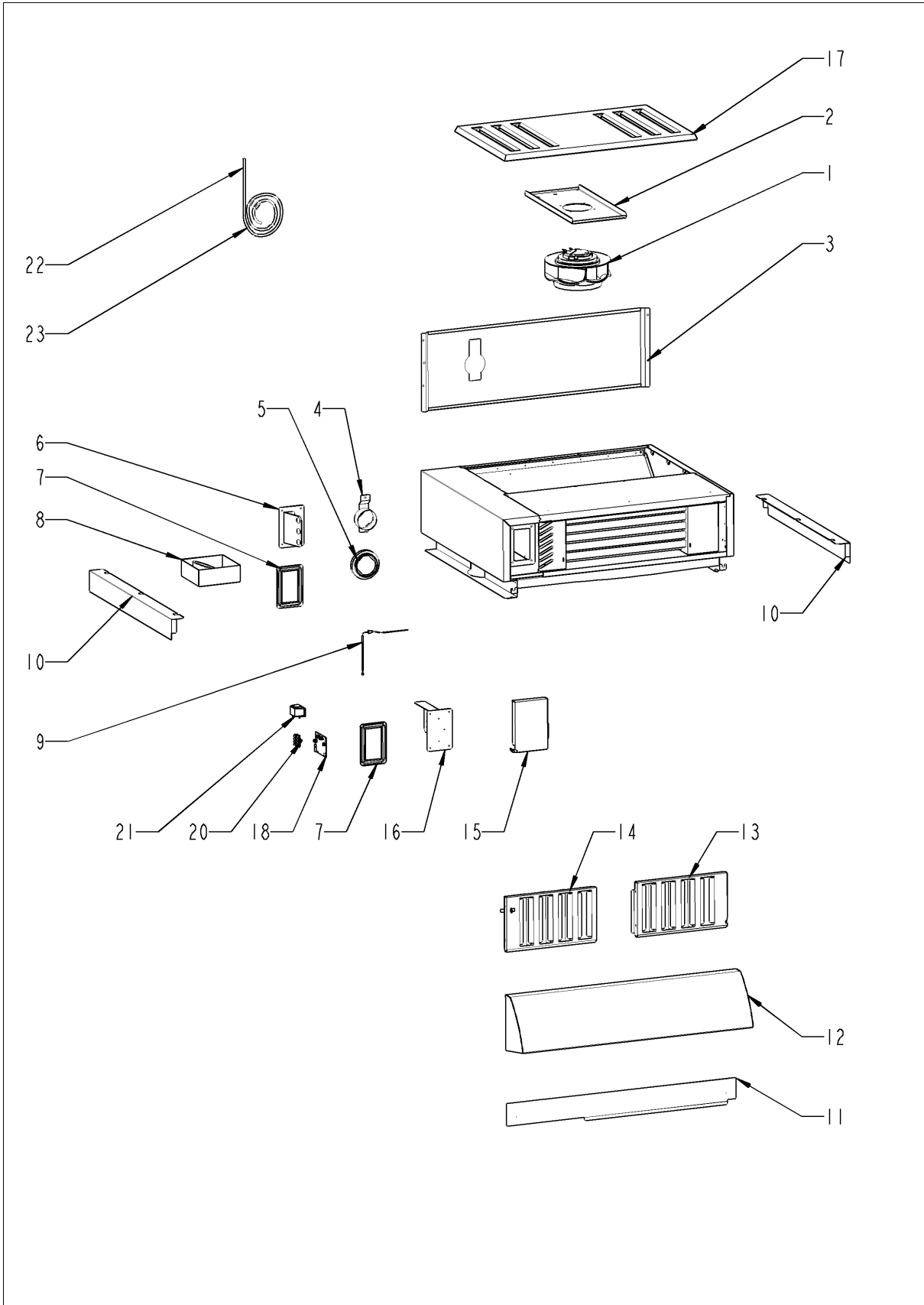
# UltraVent Plus



## UltraVent Plus

Pos.	Part no.	Description	Qty.
1	60.74.890S	Blower motor for Ultravent	1
1	60.74.889S	Blower motor for Ultravent	1
2	60.75.179S	Motor mounting plate	1
3	60.75.216S	Heat protection plate	1
4	60.75.215S	Closure Combi-Duo 70mm	1
5	60.75.156P	Gasket 70mm	1
6	60.75.171S	Electrical box cover back	1
7	60.75.212P	Electrical box seal	1
8	60.75.160P	Condensate collector 70mm	1
9	40.05.995P	Thermocouple	1
10	60.75.170P	side panels	1
11	60.75.173S	Front panel	1
12	60.75.198S	Front hood	1
13	60.75.183P	Baffle plate filter right	1
14	60.75.200P	Baffle plate filter left	1
15	60.75.209P	Electrical box cover	1
16	60.75.175S	Electric box cover front	1
17	60.75.205S	IPX5 Coverage	1
18	42.00.308S	Control pcb	1
19	60.76.574P	spacer CPU	1
20	60.76.447S	Connection terminal	1
21	60.76.448S	power chokes	1
21	60.76.449P	Capacitors	1
22	40.06.597P	Bus cable	1
24	87.01.781S	Thermocouple	1
26	60.75.210P	HEPA filtert two-pack	1
27	60.75.213P	Prefilter metal mesh	1
28	60.76.528S	Pressure frame HEPA filtert	1
29	60.76.527S	filter cassette clp.	1
30	42.00.309S	Adapter pcb f. UVP	1
31	60.75.211P	Hose set Filter detection	1

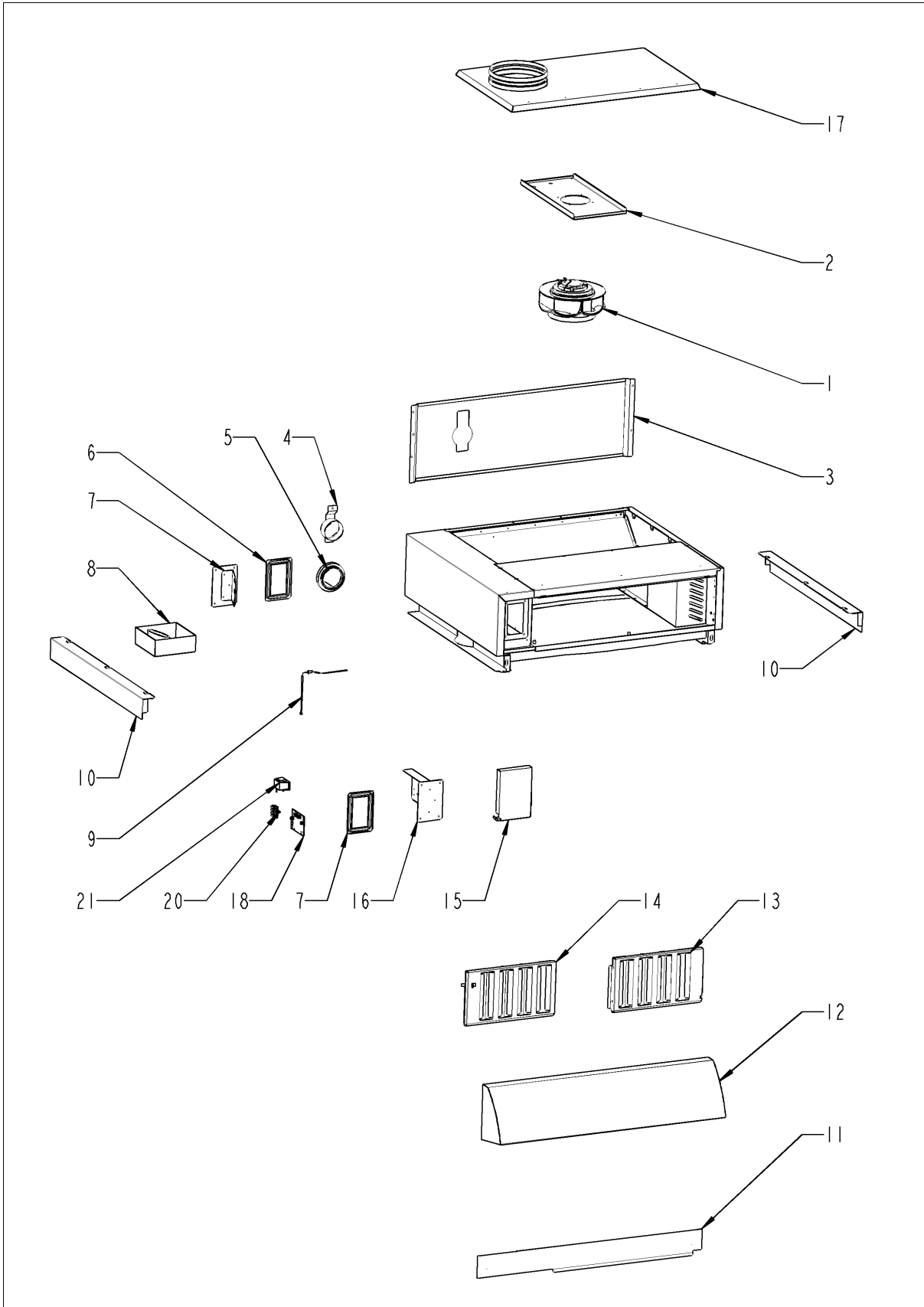
# UltraVent



## UltraVent

Pos.	Part no.	Description	Qty.
1	60.74.890S	Blower motor for Ultravent	1
1	60.74.889S	Blower motor for Ultravent	1
2	60.75.179S	Motor mounting plate	1
3	60.75.216S	Heat protection plate	1
4	60.75.215S	Closure Combi-Duo 70mm	1
5	60.75.156P	Gasket 70mm	1
6	60.75.171S	Electrical box cover back	1
7	60.75.212P	Electrical box seal	1
8	60.75.160P	Condensate collector 70mm	1
9	40.05.995P	Thermocouple	1
10	60.75.170P	side panels	1
11	60.75.173S	Front panel	1
12	60.75.194S	Front hood	1
13	60.75.183P	Baffle plate filter right	1
14	60.75.200P	Baffle plate filter left	1
15	60.75.209P	Electrical box cover	1
16	60.75.175S	Electric box cover front	1
17	60.75.204S	IPX5 Coverage	1
18	42.00.308S	Control pcb	1
19	60.76.574P	spacer CPU	1
20	60.76.447S	Connection terminal	1
21	60.76.448S	power chokes	1
21	60.76.449P	Capacitors	1
22	40.06.597P	Bus cable	1
24	87.01.781S	Thermocouple	1

# Extractor hood



## Extractor hood

Pos.	Part no.	Description	Qty.
1	60.74.889S	Blower motor for Ultravent	1
1	60.74.890S	Blower motor for Ultravent	1
2	60.75.179S	Motor mounting plate	1
3	60.75.216S	Heat protection plate	1
4	60.75.212P	Electrical box seal	1
5	60.75.156P	Gasket 70mm	1
6	60.75.171S	Electrical box cover back	1
7	60.75.212P	Electrical box seal	1
8	60.75.160P	Condensate collector 70mm	1
9	40.05.995P	Thermocouple	1
10	60.75.170P	side panels	1
11	60.75.173S	Front panel	1
12	60.75.194S	Front hood	1
13	60.75.183P	Baffle plate filter right	1
14	60.75.200P	Baffle plate filter left	1
15	60.75.209P	Electrical box cover	1
16	60.75.175S	Electric box cover front	1
17	60.76.467S	Exhaust air plate	1
18	42.00.308S	Control pcb	1
19	60.76.574P	spacer CPU	1
20	60.76.447S	Connection terminal	1
21	60.76.448S	power chokes	1
21	60.76.449P	Capacitors	1
22	40.06.597P	Bus cable	1
24	87.01.781S	Thermocouple	1

## Index

Part no.	Description	Page
24.03.057P	Abrasion protection for glide socket .....	27
42.00.309S	Adapter pcb f. UVP .....	43
22.01.343P	Air baffle .....	23
70.01.168P	Air hose adapter 90° DN40 .....	37
70.01.167P	Air hose adapter straight DN40 .....	37
40.05.424P	Air inlet filter cpl. ....	11, 29
87.01.553S	Air inlet pipe .....	13
40.06.566P	Air shaft cpl. ....	7
70.01.328P	Air supply, hot air .....	37
10.00.696P	Allen screw M4x6 w. Precoat 85 .....	19
70.01.205S	Automatic ignition controller .....	37
16.03.394P	Back panel, left .....	31
16.04.112P	Back panel, right .....	31
60.75.200P	Baffle plate filter left .....	43, 45, 47
60.75.183P	Baffle plate filter right .....	43, 45, 47
56.01.432P	Base panel left .....	29
56.01.208P	Base panel right .....	29
60.74.890S	Blower motor for Ultravent .....	43, 45, 47
60.74.889S	Blower motor for Ultravent .....	43, 45, 47
14.00.937P	Bracket for door contact switch .....	29
87.01.654S	Burner hot air .....	17
70.01.067P	Burner pipe .....	37
70.01.277S	Burner steam gen. kit .....	15
40.06.597P	Bus cable .....	43, 45, 47
40.05.858P	Bus cable 1.08m .....	7
40.07.146P	Bus cable 1.35m .....	7
40.07.148P	Bus cable 1.73m .....	7
40.06.777S	Cable bushing f. cable entry .....	7
40.00.320P	Cable connection M20x1.5 .....	7
40.04.495P	Cable connection M25 ø5mm *divisible* .....	7
40.06.063P	Cable control harness .....	7
40.06.760P	Cable control pcb - capacitive switch .....	5



## Index

Part no.	Description	Page
40.06.569P	Cable CPU - TFT .....	5
87.01.620S	Cable entry .....	7
40.06.624P	Cable harness base .....	7
40.06.323P	Cable harness isolating transformer .....	7
40.06.878P	Cable holder .....	7
40.06.078P	Cable, interior light W40 *door lighting* .....	27
56.01.245P	Cap for door mounting support bottom .....	25, 35
10.01.076P	Cap nut M5*A2 .....	21, 23, 29
60.76.449P	Capacitors .....	43, 45, 47
56.01.466P	Care container with pump .....	35
56.01.506S	Care hose .....	35
91.01.135P	Carrying strap .....	39
50.00.156P	Clamp f. hand shower roll guide .....	33
10.00.087P	Clamp strap f. sensor .....	23
56.01.486P	Cleaning box .....	35
56.01.677P	CleanJet hose .....	35
60.75.215S	Closure Combi-Duo 70mm .....	43, 45
2001.0109P	Compression spring .....	25
60.75.160P	Condensate collector 70mm .....	43, 45, 47
60.72.591	Condensation breaker .....	39
52.00.106S	Connect. hose f. hand shower roll guide .....	33
70.01.268P	Connection compensation tube .....	37
60.76.447S	Connection terminal .....	43, 45, 47
87.01.535S	Control panel insert *RAT* .....	5
42.00.308S	Control pcb .....	43, 45, 47
42.00.251P	Control pcb (w/o SD-Card) .....	5
40.05.993P	Cooling fan .....	7
1315.0104P	Copper washer 16x20x1,5 .....	23
10.01.755P	Countersunk screw M5x20 A2 .....	25, 29, 31
1003.2265P	Countersunk self tapping screw 4,2x16 .....	31
24.03.062P	Cover cap for door .....	27
16.03.735P	Cover f. control pcb w. gasket .....	5

## Index

Part no.	Description	Page
24.04.598S	Cover for door magnet .....	27
16.04.110P	Cover for door mounting support .....	25
16.04.091P	Crossbar top .....	31
16.03.756P	Dial f. pulse generator .....	5
24.04.097S	Door .....	25
24.03.040P	Door bolt .....	25
24.02.990P	Door catch for 2-step lock .....	25
24.05.382P	Door drip collector .....	27
20.02.552P	Door gasket .....	23
24.04.083P	Door handle RATIONAL .....	25
24.03.213P	Door lock with spring U-bolt *2-step* .....	25
14.01.056P	Door mounting support bottom .....	25
24.04.217P	Door setting bolt .....	27
40.06.664P	Door switch .....	29
56.01.449S	Drain hose .....	35
56.01.518P	Drain hose set, humidity control, unit drip collector .....	13, 35
44.02.219S	Drain hose steam generator .....	15
44.02.230P	Drain hose steam generator .....	15
24.05.345P	Drain seal for door drip collector .....	27
56.00.952P	Drawer Care container .....	35
74.00.873P	Earth electrode, hot air .....	19
60.75.175S	Electric box cover front .....	43, 45, 47
60.75.209P	Electrical box cover .....	43, 45, 47
60.75.171S	Electrical box cover back .....	43, 45, 47
60.75.212P	Electrical box seal .....	43, 45, 47
40.06.385P	Electrical mounting plate .....	9
42.00.286P	Electronic noise filter .....	9
44.02.287P	Emergency drainage hose .....	15
56.01.454S	Emergency overflow cleaning box .....	35
56.01.024P	Emptying pump .....	15
60.76.467S	Exhaust air plate .....	47
87.01.558S	Fan motor .....	21

## Index

Part no.	Description	Page
87.01.560S	Fan motor .....	21
22.01.164S	Fan wheel .....	21
60.76.527S	filter cassette clp. ....	43
24.03.787S	Fixing bracket kit for interior glass pane .....	27
40.03.756P	Fixing clip f. pcb .....	9
24.04.619P	Fixing device f. magnet with magnet .....	27
40.06.053P	Fixing device for safety temperature limiter .....	23
16.03.747P	Fixing display / pcb .....	5
72.00.505P	Fixing plate steam generator thermostat .....	15
22.01.427P	Flange f. motor shaft gasket .....	21
60.75.198S	Front hood .....	43
60.75.194S	Front hood .....	45, 47
16.03.631P	Front panel .....	31
60.75.173S	Front panel .....	43, 45, 47
40.06.767P	Fuse 4A *Typ 5HT 4-R* .....	9
3019.0124P	Fuse 5x20mm 0,8A .....	7
4001.0224P	Fuse 6.35x32mm 6.3A .....	9
4001.1295P	Fuse holder e 1003Si/1DS .....	9
70.01.427P	Gas blower / gas valve kit .....	37
70.01.426P	Gas blower / gas valve kit .....	37
70.01.607P	Gas connection manifold .....	37
87.01.644S	Gas valve E01 .....	37
60.75.156P	Gasket 70mm .....	43, 45, 47
70.01.622P	Gasket corrugated hose .....	37
56.01.461P	Gasket DN60 .....	35
74.00.290P	Gasket electrode hot air .....	19
70.01.148P	Gasket f. blower burner .....	37
16.01.434P	Gasket f. breather tube d=73mm .....	29
72.00.408P	Gasket f. burner carrier .....	15
74.00.296P	Gasket f. heat exchanger below .....	17
70.01.258P	Gasket f. ignition electrode .....	15
54.01.168P	Gasket f. inspection lid .....	33

## Index

Part no.	Description	Page
12.02.664P	Gasket for base frame .....	29
74.01.124P	Gasket hot air heat exchanger/interior cabinet .....	17
44.02.200P	Gasket SC pump .....	15
24.04.897S	Glass pane bundle .....	27
22.01.425P	Graphit seal for gasket flange .....	21
56.01.422P	Grid cover .....	29
44.01.505P	Grommet Ø12x8,2 .....	15
52.00.127S	Hand shower black .....	33
52.00.096P	Hand shower roll guide .....	33
60.75.216S	Heat protection plate .....	43, 45, 47
60.75.210P	HEPA filter two-pack .....	43
10.01.065P	Hex nut M5 .....	15, 17, 23
10.00.709P	Hex nut M6 w. locking .....	9, 21
10.01.751P	Hex nut M16 DIN934 A2 .....	23
10.01.747P	Hex screw M5x19 Torx T20 .....	37
10.01.892P	Hex screw M5x20 Torx T20 .....	37
10.01.719P	Hex screw M6x12 .....	25
10.00.936P	Hex screw M8x20 .....	21
24.05.303S	Hinge cover .....	27
24.02.958P	Holding bracket f. door catch .....	25
16.03.749P	Hook for parking position .....	5
2066.0205P	Hose clamp 8-16x9 mm SW 7mm .....	15
10.01.994P	Hose clamp 15.88 mm .....	35
2066.0521P	Hose clamp 27mm .....	35
2066.0518P	Hose clamp 30mm .....	15
10.01.262P	Hose clamp 76 mm .....	33
10.00.982P	Hose clamp D=18.2 .....	35
2066.0527P	Hose clamp ø14mm .....	13
10.01.686P	Hose clamp Ø82mm .....	33
70.00.188P	Hose fitting 3/4"-3/4" .....	37
56.00.752P	Hose fitting EPDM-70ShA .....	35
2067.0709P	Hose for water supply 2500mm .....	33

## Index

<b>Part no.</b>	<b>Description</b>	<b>Page</b>
22.00.525P	Hose set f. humidity control .....	13
60.75.211P	Hose set Filter detection .....	43
50.02.119P	Hose, water supply, steam generator .....	15
74.00.981S	Hot air heat exchanger .....	17
22.01.402P	Humidity control cpl. ....	13
70.01.250S	Ignition electrode kit for steam generator .....	15
70.01.247S	Ignitionelectrode, hot air 350mm .....	19
54.01.862S	Inspection lid, B2 .....	33
72.00.077P	Insulation f. burner steam gen. ....	15
40.06.409P	Interface cable LAN 1.5m .....	5, 7
40.06.327P	Interface LAN IPX6 .....	7
40.06.043P	Interface USB .....	7
24.02.960P	Interlocking tooth screw M5x6 .....	25
40.05.919P	IO-module .....	9
60.75.205S	IPX5 Coverage .....	43
60.75.204S	IPX5 Coverage .....	45
20.02.807P	Isolation for mounting plate for motor .....	21
87.01.552S	Kit Steam generator insulated .....	15
87.01.581S	LED bar .....	27
87.01.582S	LED optics .....	27
24.04.211P	Lock cover .....	25
50.02.112P	Locking plate f. water distribution .....	33
10.01.703P	Locking ring 16 mm .....	35
10.01.707P	Locking ring 25mm .....	15
40.06.728P	Loudspeaker K 64 WPTR .....	11
74.01.125P	Mating flange heat exchanger .....	17
40.06.902P	Meat probe sensor .....	23
16.03.748P	Metal clamp f. panel insert .....	5
42.00.359P	Micro SD card .....	5
44.02.494S	Molded hose with level electrode .....	15
42.00.276P	Motor control for fan motor .....	21
42.00.277P	Motor control for fan motor .....	21

## Index

<b>Part no.</b>	<b>Description</b>	<b>Page</b>
60.75.179S	Motor mounting plate .....	43, 45, 47
22.00.985P	Motor shaft gasket D15 .....	21
40.05.435P	Mounting device f. pressure sensor .....	13
22.01.423P	Mounting support f. gasket flange .....	21
40.04.953P	Mounting support for pump pcb .....	9
40.05.968P	Mounting support power transformer .....	7
50.02.004P	Nozzle f. moistening .....	17
56.01.481P	O Ring emergency overflow .....	35
10.01.694P	O-ring for humidity control .....	13
56.01.631P	O-ring for pump .....	35
42.00.287P	Operator pcb *TFT* .....	5
1008.0768P	Ornamental screw M8x16 .....	25
1008.0769P	Ornamental screw M8x30 .....	7
56.01.491P	Outlet sieve .....	23
56.01.419P	Plastic cap .....	29
50.02.006P	Plastic pipe PEEK .....	17
24.05.458P	Plastic spreader rivet .....	27
50.00.085P	Plug-in spring f. hand shower roll guide .....	33
60.71.022P	Positioning support f. core sensor .....	39
60.76.448S	power chokes .....	43, 45, 47
40.06.755P	Power supply cable 3xAWG14 3m .....	7
40.06.004P	Power transformer .....	7
60.75.213P	Prefilter metal mesh .....	43
60.76.528S	Pressure frame HEPA filtert .....	43
3017.1011P	Pressure sensor Huba 401 .....	13
40.06.037P	Pulse generator .....	5
56.01.028P	Pump f. CareControl .....	35
56.01.020P	Pump f. cleaning .....	35
40.06.625P	Pump harness .....	7
44.02.179S	Pump housing .....	15
42.00.273P	Pump pcb .....	9
10.00.515P	Rivet 3,2x6.8 A2/NSF .....	23

## Index

Part no.	Description	Page
1604.0161P	Rivet 4x6 CNS .....	27
10.00.904P	Rivet B4x8 .....	27
10.00.989P	Rivet with screw .....	7, 9, 27, 29, 37
40.01.358P	Rocker switch 1 pole .....	9
54.01.729S	Rubber form piece venting pipe .....	33
87.01.548S	Safety device / water supply for steam generator .....	15
40.06.684P	Safety temperature limiter .....	23
40.06.098P	Screen for safety temperature limiter .....	23
40.05.489P	Screen interior cabinet sensor .....	23
16.04.062P	Sealing block .....	5
16.03.701P	Sealing block LAN .....	5
16.03.342P	Sealing f. panel insert .....	5
42.00.346P	Sensor on / off .....	5
16.03.397P	Side panel left .....	31
16.04.077P	Side panel right .....	31
60.75.170P	side panels .....	43, 45, 47
56.01.627S	Silicone hose with hose clamps .....	35
24.03.056P	Slide bush for door .....	27
10.01.902P	Slotted head screw M5X16 T25 .....	37
1104.0820P	Snap nut 4,2mm .....	31
50.02.054P	Solenoid valve fivefold .....	33
60.76.574P	spacer CPU .....	43, 45, 47
24.03.764P	Spacer for door .....	27
50.02.131P	Supply hose for "Care box" .....	35
50.02.144P	Supply hose for moistening .....	33
44.02.227S	Supply hose safety armature .....	15
40.06.112P	Temperature sensor eSTB .....	23
40.06.131P	Temperature sensor eSTB 240mm .....	15
40.05.995P	Thermocouple .....	43, 45, 47
87.01.781S	Thermocouple .....	43, 45, 47
40.06.212S	Thermocouple humidity *B4* .....	23
40.06.888P	Thermocouple interior cabinet B1 .....	23

## Index

<b>Part no.</b>	<b>Description</b>	<b>Page</b>
40.06.228P	Thermocouple steam generator *B5* .....	15
1205.0120P	Tooth lock washer A5,3 .....	29
16.03.398P	Top cover .....	31
50.02.005P	Union nut .....	17
40.06.044P	USB socket with cable .....	5
72.00.492P	V Clamp 50mm right .....	15
22.01.409P	Vent cover .....	13, 29
54.01.928P	Ventilation pipe .....	33
1308.0162P	Washer A8,4 .....	21
56.01.521P	Waste water cover .....	29
56.01.017P	Waste water pump Cleaning box .....	35
87.01.737S	Wire set earth - ignition electrode .....	37





